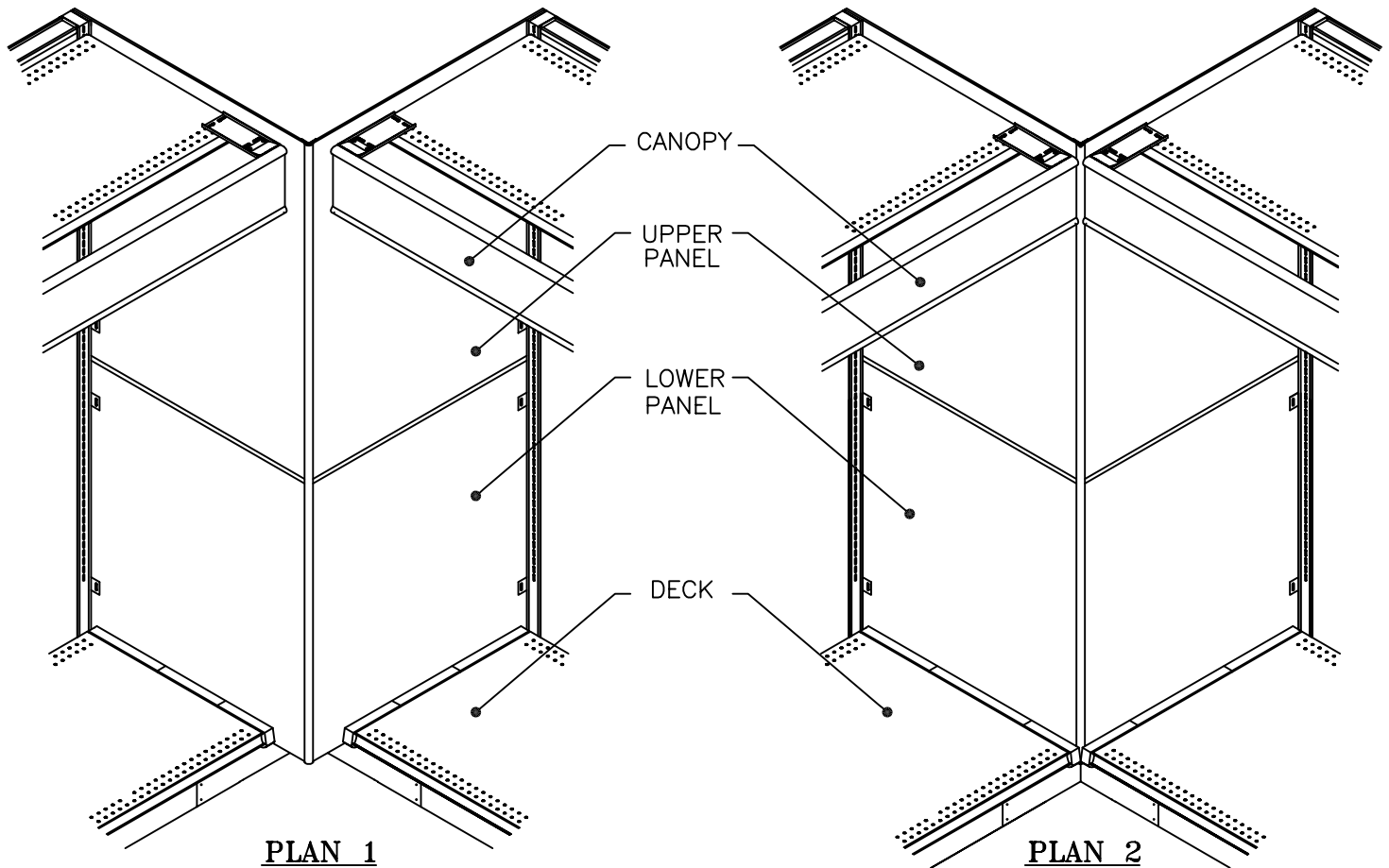


INSTALLATION INSTRUCTIONS

BOX CORNER KIT (90 & 45 DEG)

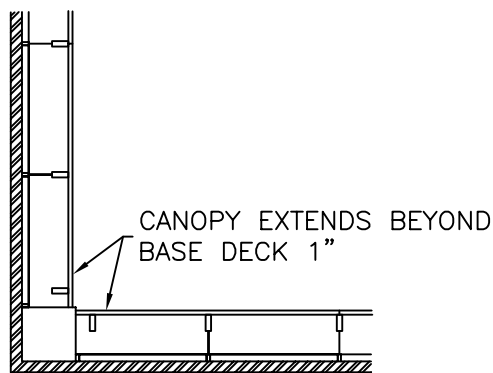
PLAN 1: The Box Corner is extended past the base deck. The canopy needs to be 1" longer than the deck or a canopy return must be used. The light fixtures will not be affected.

PLAN 2: The Box Corner is flush with the deck and canopy is extended beyond the deck. A 12" shorter light fixture set-up will be required on both sides of the corner, ie, a 3' light fixture will replace a 4' light fixture on a 3' and a 4' light fixture will replace an 8' light fixture.

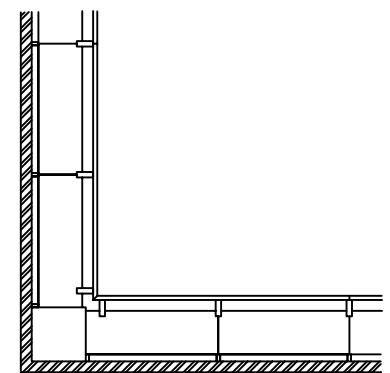


PLAN 1

PLAN 2



PLAN 1 DETAIL



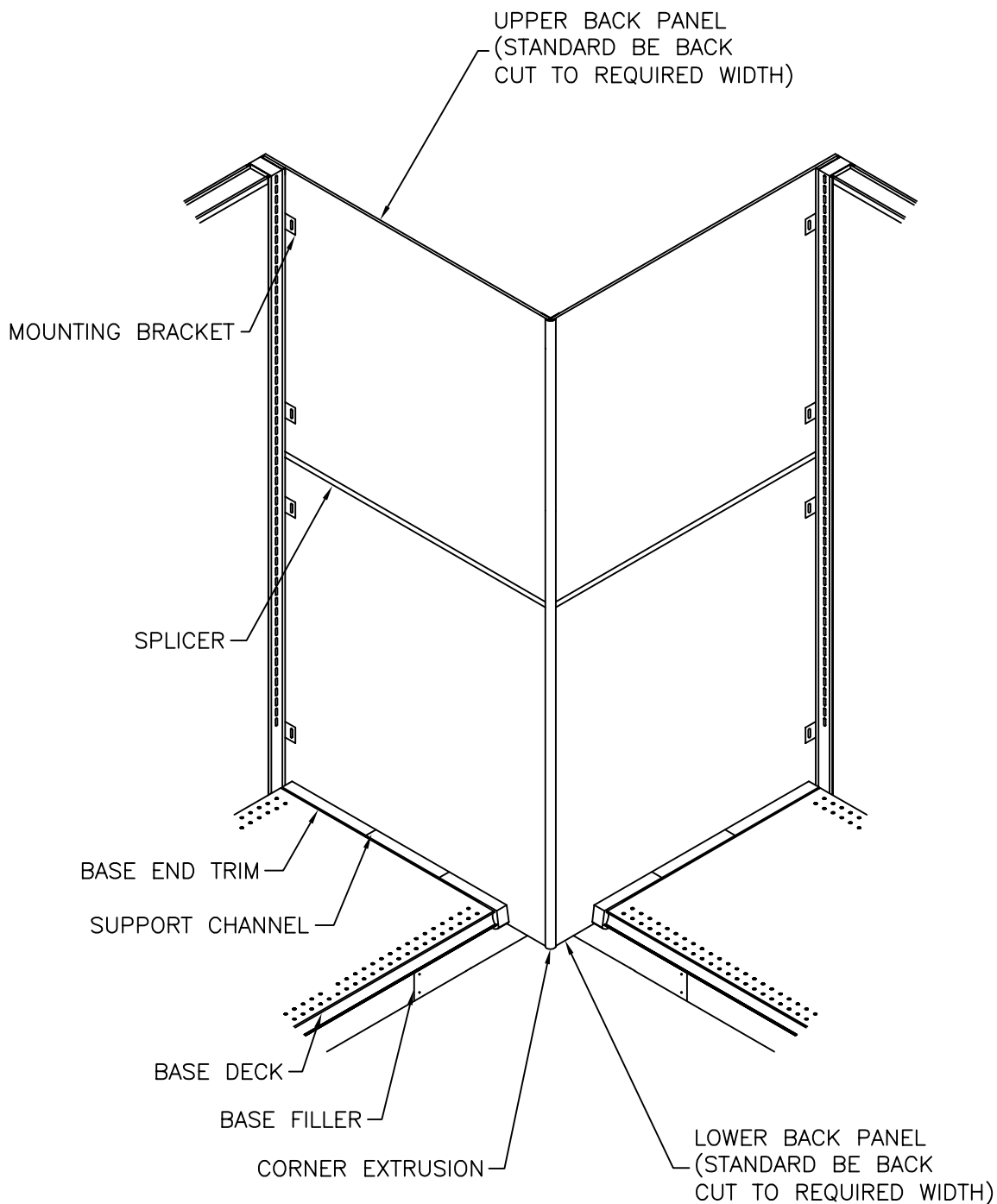
PLAN 2 DETAIL



INSTALLATION INSTRUCTIONS

BOX CORNER KIT (90 & 45 DEG)

STEP 1. Set up, level and plumb the shelving sections on each side of the Box Corner, following Basic Shelving Instructions (01-13). Install the Base End Trim, but not the Upright End Trim.



90° BOX CORNER SHOWN



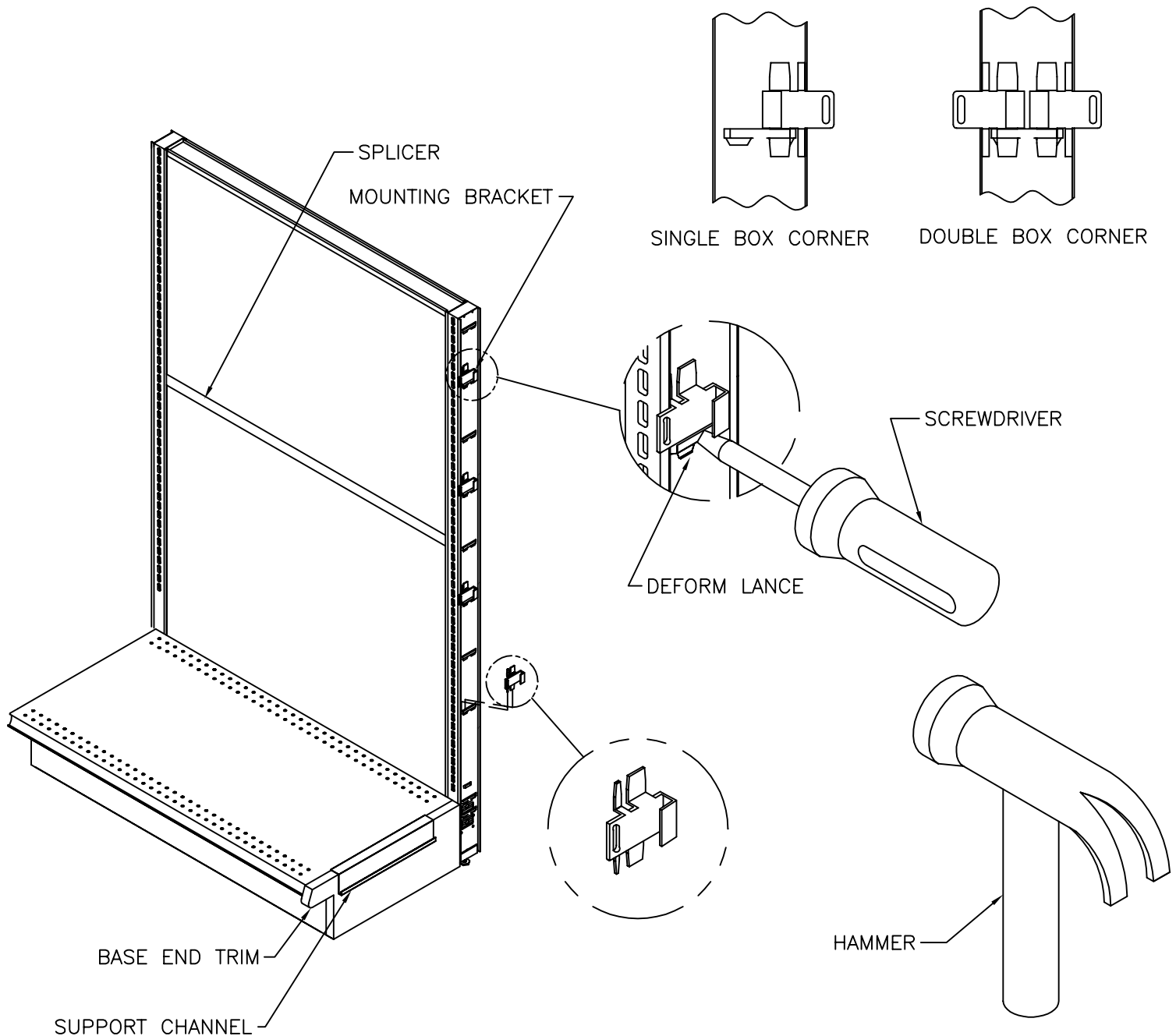
INSTALLATION INSTRUCTIONS

BOX CORNER KIT (90 & 45 DEG)

STEP 2. Install (4) Mounting Brackets into the Upright Lances of both Uprights as shown. If the Gondola has a Splicer Rail, use it as a guide and install a Mounting Bracket in the Lance directly above and below its location. Tap the upright lance using a hammer & screwdriver to deform it enough to hold the mounting bracket in place.

NOTE: Mounting Brackets can be used Back-To-Back for Double Box Corners if needed.

STEP 3. Place one Support Channel over each Base End Trim.



INSTALLATION INSTRUCTIONS

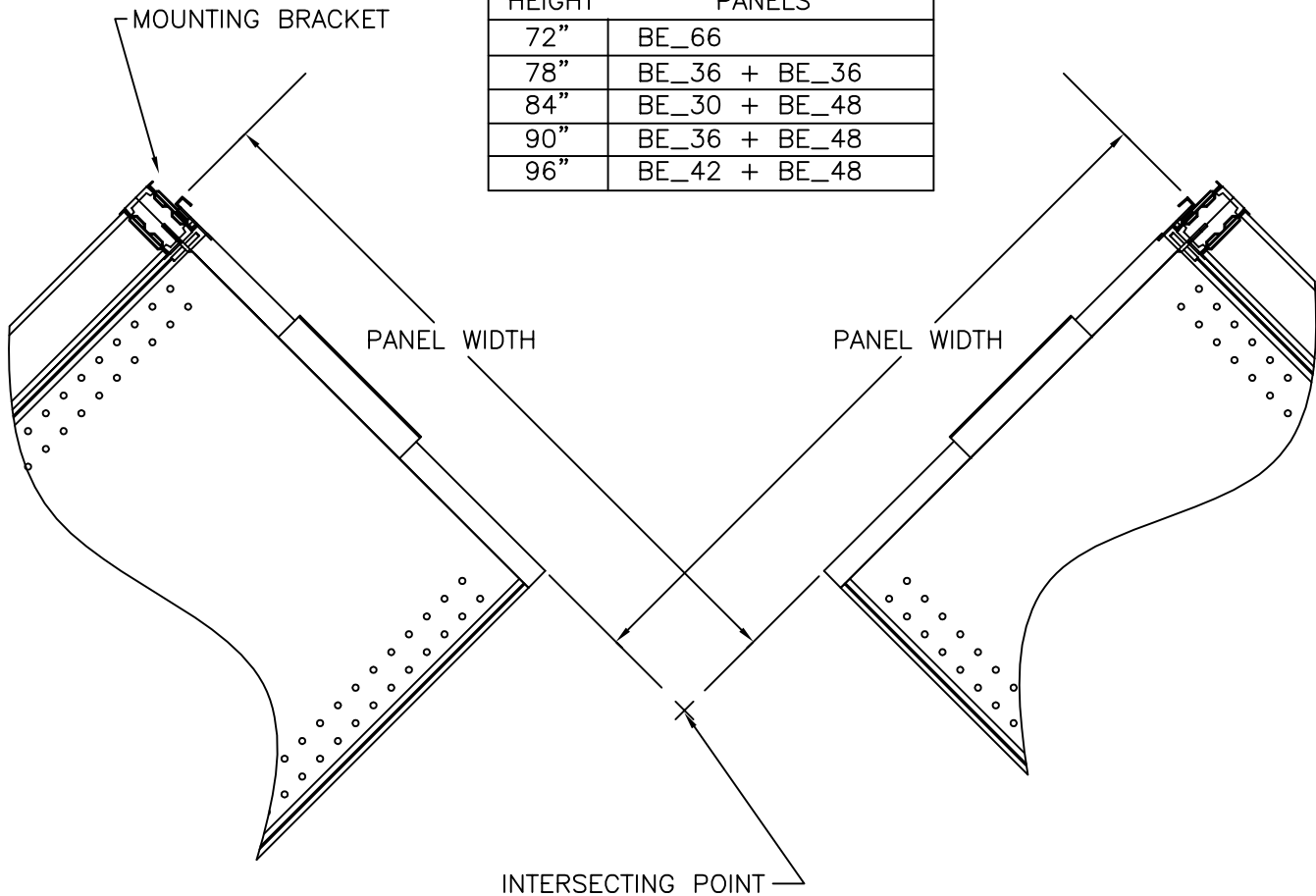
BOX CORNER KIT (90 & 45 DEG)

NOTE: Standard BE backs are used for the Box Corner Panels. Only the width needs to be cut.

STEP 4. Measure the distance from the back of the Mounting Bracket to the intersecting point. Cut the upper and lower panels $1/2$ " narrower than this width. This dimension may not be the same for both sides of the Box Corner. See TABLE 1 for Standard Back Panel configurations.

TABLE 1

STANDARD PANEL CONFIGURATION	
HEIGHT	PANELS
72"	BE_66
78"	BE_36 + BE_36
84"	BE_30 + BE_48
90"	BE_36 + BE_48
96"	BE_42 + BE_48



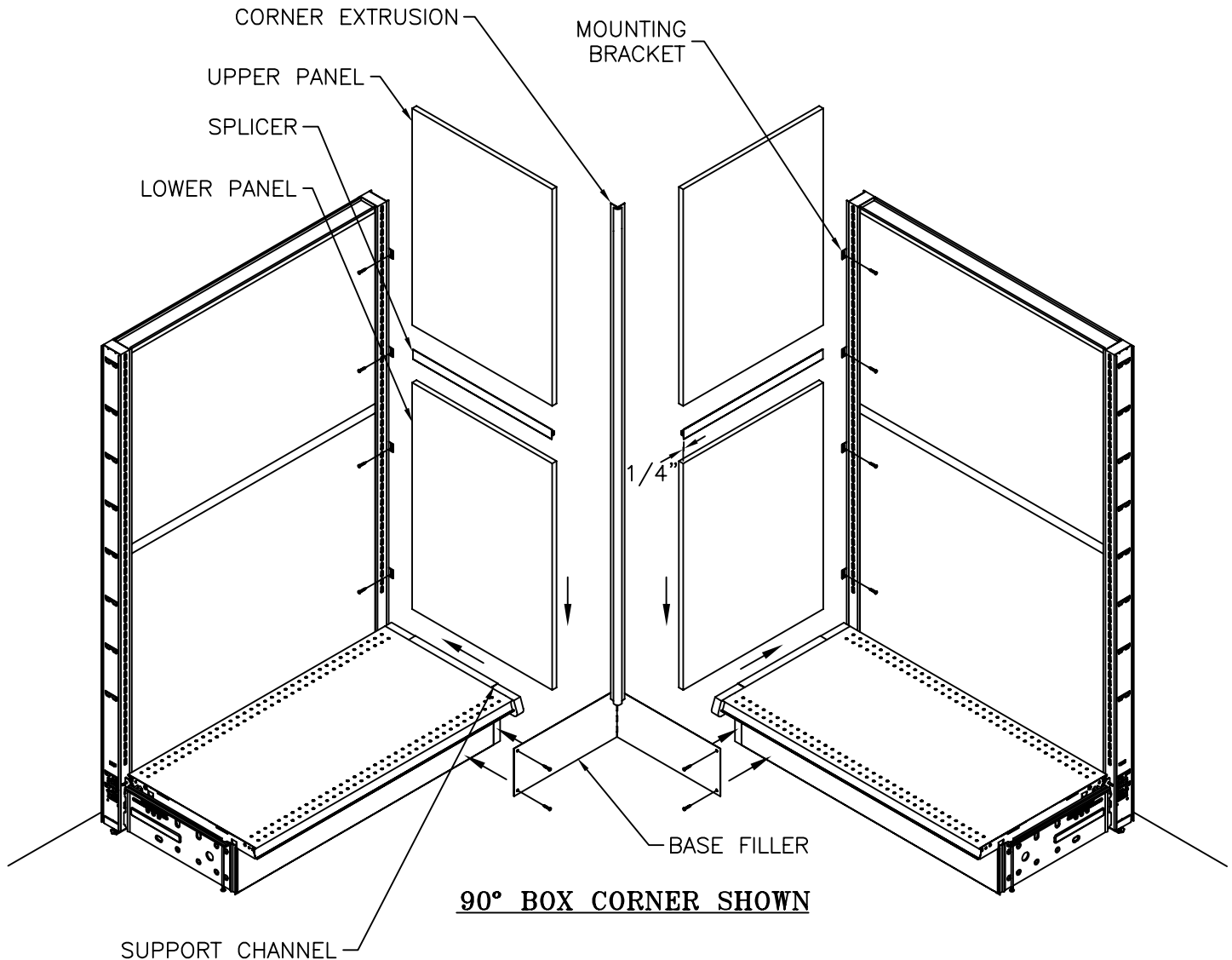
TOP VIEW:

90° BOX CORNER SHOWN

INSTALLATION INSTRUCTIONS

BOX CORNER KIT (90 & 45 DEG)

- STEP 5.** Place the Lower Panel into the Support Channel and slide toward the Mounting Brackets until the panel is in place. Repeat for the other Bottom Panel.
- STEP 6.** If Upper Panels are required, cut the Splicer (1/4") narrower than the Lower Panel and install on the Lower Panel. Set the Splicer back (1/4") from the edge to leave clearance for the Corner Extrusion.



- STEP 7.** Cut the Corner Extrusion to match the height of the assembled panels.
- STEP 8.** Slide the Corner Extrusion over the edges of the panels. Secure the extrusion to the panels using (4) #8 x 3/4 sheet metal screws (provided) each side.
- STEP 9.** Attach the mounting brackets to the panels at this time using #8 X 3/4 sheet metal screws.
- STEP 10.** Bend the Base Filler at the slots to 90°. Attach the Base Filler to the adjacent Base Fronts with (4) #8 x 5/8 TEK Screws.

