

SELF-CHECKOUT SOLUTIONS



LOZIER + CASI

World Class Manufacturing + Cutting Edge Technology

SELF-CHECKOUT SOLUTIONS



- Tech-enabled Options
- Belted Units
- Embedded Pay Station
- Enclosures



TECH-ENABLED OPTIONS

SELF-CHECKOUT SOLUTIONS

CUSTOM SELF-CHECKOUT BENEFITS



- *No expensive service contracts / software licensing*
- *Custom designed experience to match your store design/aesthetic*
- *Maximized merchandising presentation and density*
- *Open architecture design allowing retailers to spec their desired hardware along with device specific upgrades (instead of having to replace the whole unit)*

TECH-ENABLED SOLUTIONS | PARTNERSHIP FRAMEWORK

Provide turnkey SCO hardware platform that offers a level of customization not offered by traditional SCO OEM's.



- Fixture design & engineering
- Custom SCO cabinet to meet your store design/ID
- Complimentary merchandising solutions
- Basket/bagging options
- Consolidation & deployment



- Electrical engineering
- Custom power supplies consolidation of 3RD party components
- Full integration & cable routing
- Pre and Post QC testing



- Channel partner with Lozier+CASI
- Global leader, self-checkout cash automation
- Note and coin recycling
- Flexible currency options that fit cash usage profile

Lozier+CASI have aligned with CPI (Crane Payment Innovations) as channel partners to offer a full turnkey custom SCO experience. Our partnership simplifies the procurement process.

TECH-ENABLED SOLUTIONS | PARTNERSHIP FRAMEWORK

Lozier+CASI can integrate all 3rd party devices into custom self-checkouts.



- Flatbed Scanning
- Scale & Hand Scanning



- POS Hardware
- POS Installation



- Custom Electronics
- PVMs
- Lane Lights

TECH-ENABLED SOLUTIONS | *STANDALONE DESIGN*

Modular cabinet designs can be configured in varied layouts to meet specific checkout requirements.



TECH-ENABLED SOLUTIONS | MERCHANDISE INTEGRATION

Modular cabinet designs fit within standard Lozier Gondola configurations to enhance impulse buy.



This is a copyrighted work of Lozier Corporation.
Any unauthorized reproduction, distribution, or use is expressly prohibited.

TECH-ENABLED SOLUTIONS | COLOR OPTIONS

Color options available to define the checkout area or reinforce your brand.



TECH-ENABLED SOLUTIONS | *MERCHANDISE INTEGRATION*



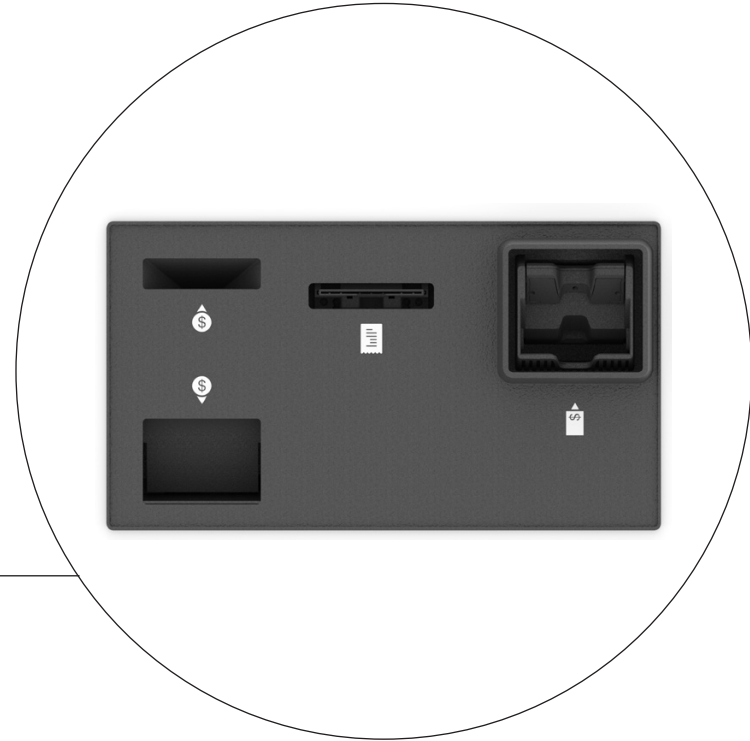
TECH-ENABLED SOLUTIONS | MERCHANDISE INTEGRATION



TECH-ENABLED SOLUTIONS | MERCHANDISE INTEGRATION

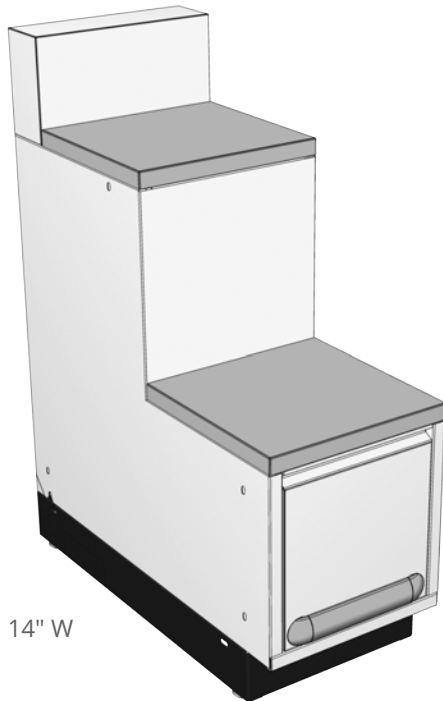


TECH-ENABLED SOLUTIONS | SCANNER CABINET



SCANNER CABINET

TECH-ENABLED SOLUTIONS | *SCANNER & BAGGING CABINET*



14" W



26" W

BAGGER CABINET

TECH-ENABLED SOLUTIONS | MODULAR CABINET OFFERING



12" W



24" W

TRASH CABINETS

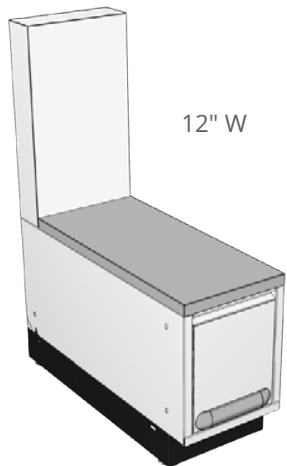


12" W

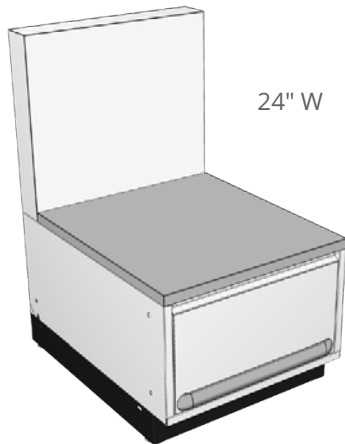


24" W

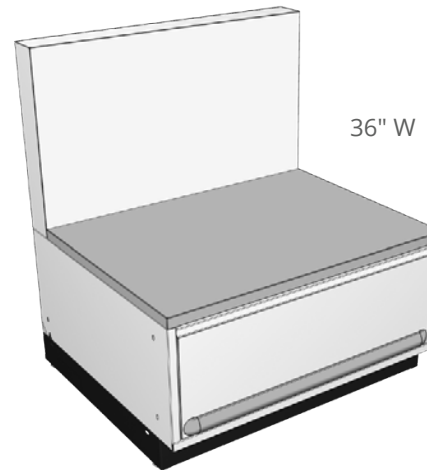
TALL STORAGE CABINETS



12" W



24" W



36" W

SHORT STORAGE CABINETS

Bill Machine	CPI BNF
Coin Machine	CPI CR6000
Scanner Bed	Zebra Large Scanner Bed
Scanner Gun	Zebra DS8178 Wireless
Monitor	ELO 22" Touch
CUP	ELO Not included, mount for Verifone
Payment Device Mount	M295 included
Lanelight	Lynx
Deactivator	Nedap
Printer	Star Micronics SK1-V311SF4-Q





BELTED UNITS

CHECKOUT SOLUTIONS

TECH-ENABLED SOLUTIONS | BELTED UNITS



TECH-ENABLED SOLUTIONS | BELTED UNITS





EMBEDDED PAY STATION

SELF-CHECKOUT SOLUTIONS

EMBEDDED PAY STATION

Integrated Pay Station minimizes manual cash handling.



EMBEDDED PAY STATION

Easy access to cash devices from behind the counter.



EMBEDDED PAY STATION

Fits within standard Lozier system components.





ENCLOSURES

SELF-CHECKOUT SOLUTIONS

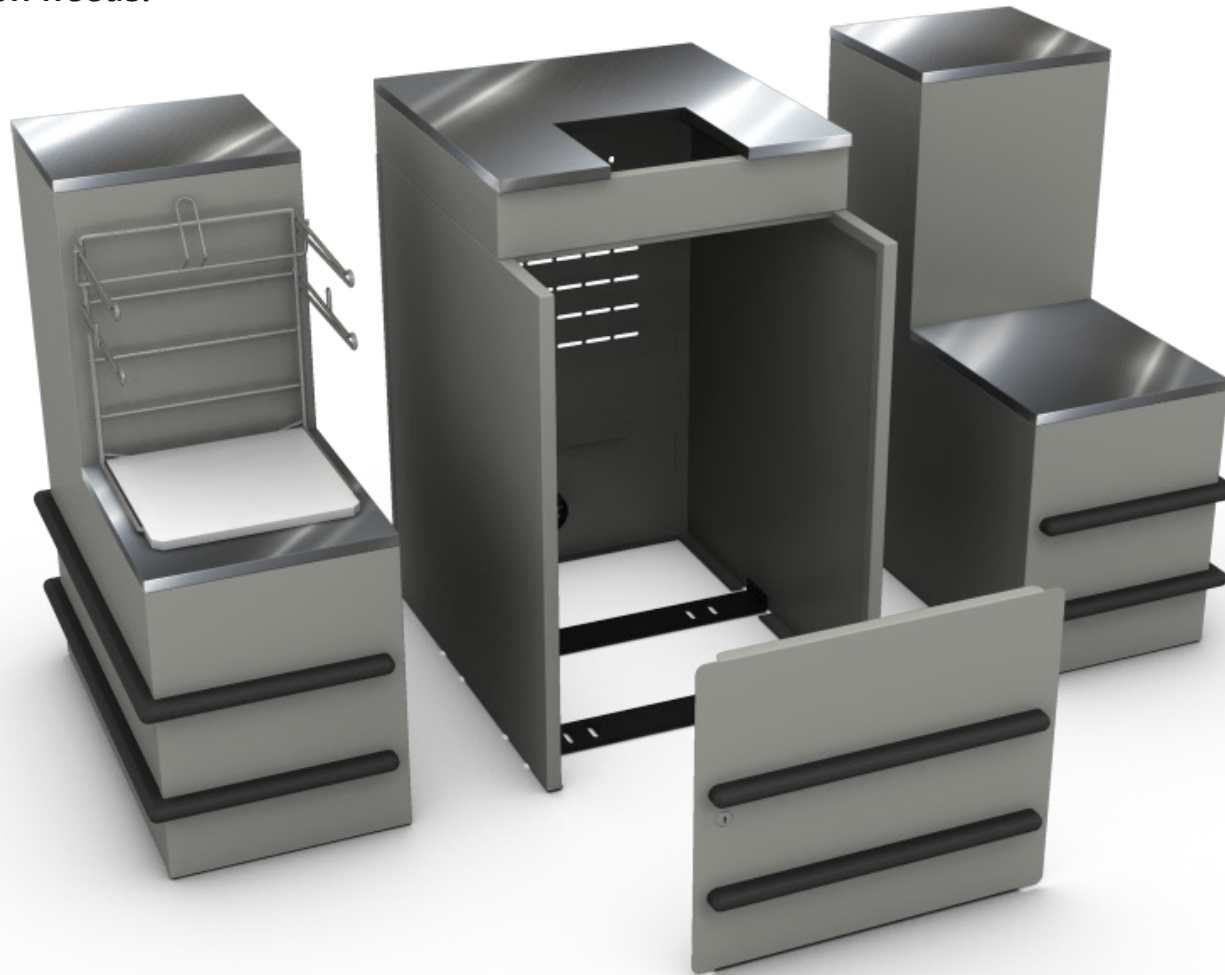
ENCLOSURES

Color matching ability to reinforce your brand and coordinate with your environment.



ENCLOSURES

*Modular components to align
with transaction needs.*



ENCLOSURES

Complete the self-checkout experience using Lozier Gondola and bagging cabinets.



ENCLOSURES

Customize your layouts with Lozier Gondola back, base, shelf and component options



THANK YOU

VISIT US AT

Lozier Corporate Headquarters
6336 John J. Pershing Dr.
Omaha, NE 68110

(800) 228-9882
info@lozier.com
lozier.com

CASI Corporate Headquarters
10601 Clarence Dr. Suite 100
Frisco, TX 75033

(972) 346-2242
info@casiusa.com
casiusa.com