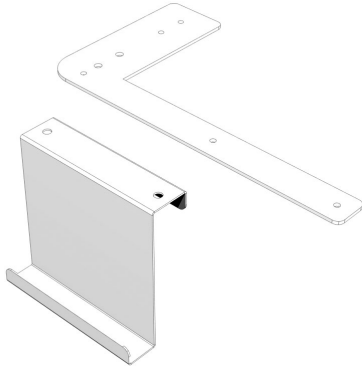


| You are in: [Lozier](#) > [Products](#) > [Full Height Wing to Wall End Display Accessory Panel Connectors](#)

# Full Height Wing to Wall End Display Accessory Panel Connectors

Part Number: **Part Number: APWF**



Accessory Panel Connectors are required when using Accessory Panels with standard End Solutions. Order Connector type based on the desired application of your Accessory Panels.

## Product Details:

- Accessory Panel Connectors are needed to attach Accessory Panels to Wall or Contoured End Display, End Merchandising Panels and Close Off Panel
- Order APWF when installing a Full Height Accessory Panel (FHAP) to the Wall End Display; when installing on a T-Leg Wall End Display, order with a Flush Accessory Panel (FAP)
- A Wall End Display Rail (WEDER) is required, order separately
- See Installation Instructions for load capacities and limitations

## INCLUDES

- Upper Connector
- Base Angle
- Hardware Pack

## Product Options and Numbers

---

Example Part #: **APWF 06 PLT CHR**

**Full Height Wing to Wall End Display Accessory**

**Panel Connectors:** **APWF**

**Base Type:** **06**, LB, TL (FAP Only)

**Upper Connector Standard Finish:** **PLT**, Optional  
Catalog Colors

**Lower Connector Standard Finish:** **CHR**, Optional  
Catalog Colors

Please view Optional Catalog Colors and Contact Product Management for respective multiple finish code.

Suffix Key	
<b>06</b>	- 06 Base (8"H)
<b>LB</b>	- Low Base (6"H)
<b>TL</b>	- T Leg
<b>FAP</b>	- Flush Accessory Panel
<b>PLT</b>	- Platinum
<b>CHR</b>	- Charcoal Black