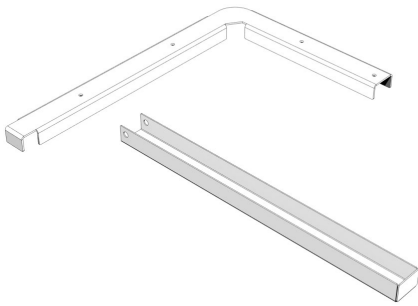


| You are in: [Lozier](#) > [Products](#) > [Inline Wing on End Deck Flush Accessory Panel Connectors](#)

Inline Wing on End Deck Flush Accessory Panel Connectors

Part Number: **Part Number: APIED**



Accessory Panel Connectors are required when using Accessory Panels with standard End Solutions. Order Connector type based on the desired application of your Accessory Panels.

Product Details:

- Accessory Panel Connectors are needed to attach Accessory Panels to Wall or Contoured End Display, End Merchandising Panels and Close Off Panel
- For inline applications on an End Deck/Flush Merchandising Panel (FMP) End Display
- See Installation Instructions for load capacities and limitations

INCLUDES

- Upper Connector
- Lower Stabilizer
- Hardware Pack

Product Options and Numbers

Example Part #: **APIED 16 L PLT**

Inline Wing on End Deck Accessory Panel

Connectors: **APIED**

Width: 14", **16"**, 18", 24", 30", 36"

Inline Position: **L**, R

Connector Standard Finish: **PLT**, Optional Catalog Colors

Suffix Key

L	- Inline Left
R	- Inline Right
PLT	- Platinum