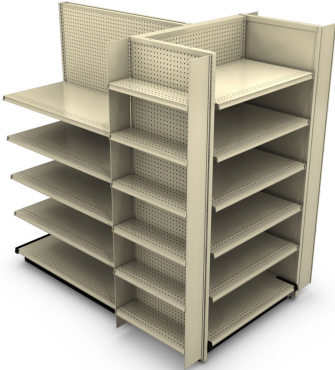


| You are in: [Lozier](#) > [Products](#) > [End Cap with Full Height Wing Panels](#)

End Cap with Full Height Wing Panels

Part Number:



Wall End Display End Cap featuring Full Height Accessory Panels for wings.

Product Details:

How to Order

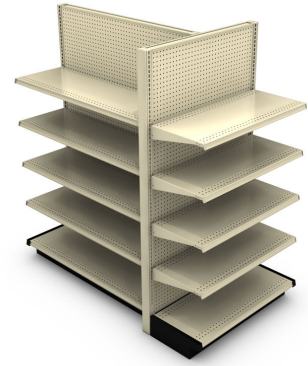
This End Cap features a combination of Lozier Products.
See below for details.

Wall End Displays

Load Rating

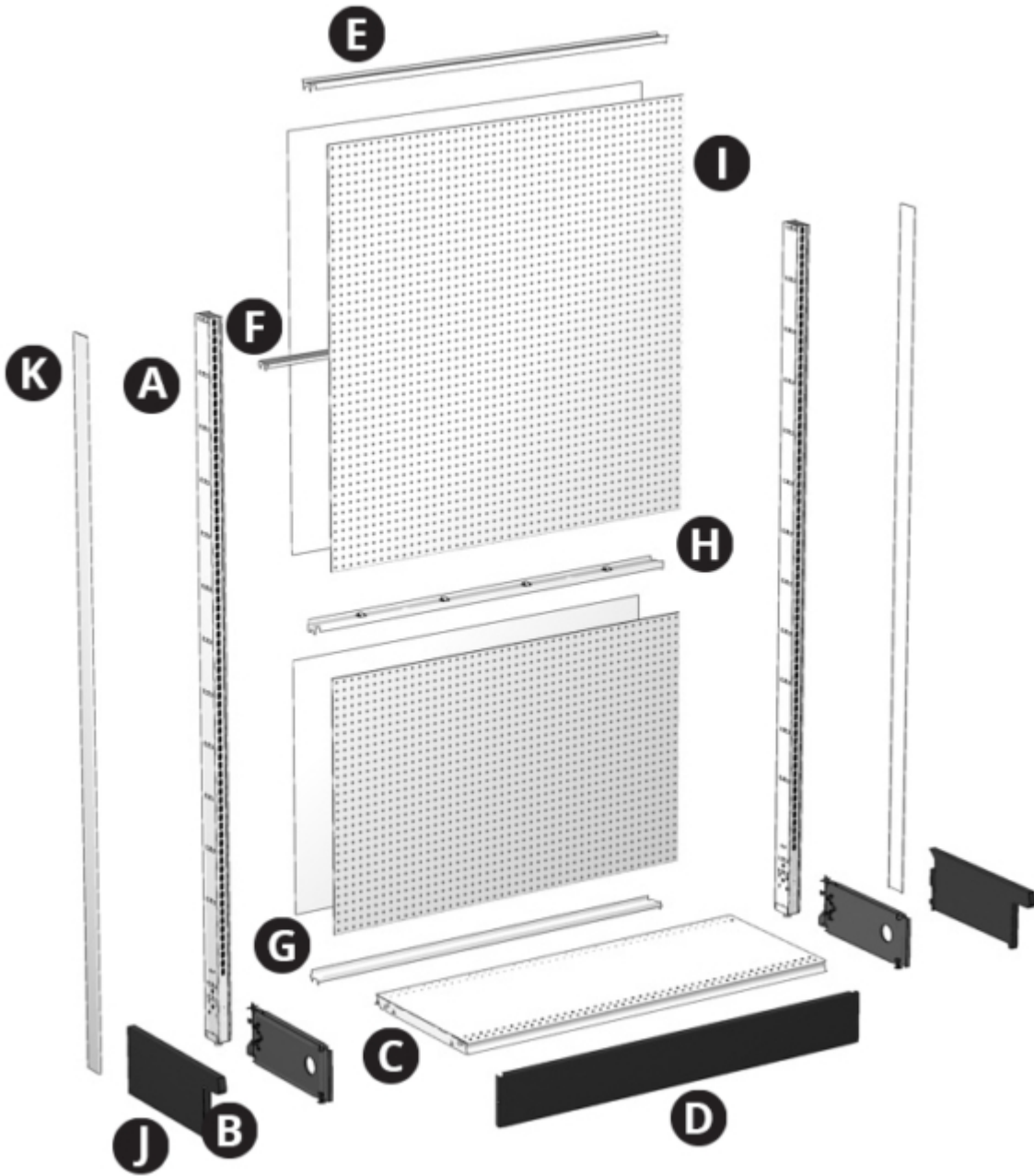
- 600 lbs evenly distributed per deck (13" - 19" D)
- 800 lbs evenly distributed per deck (22 - 25" D)

- Freestanding End Display
- Pegboard Front Panel and Martek Back Panel, other Back Panel styles available
- Order Shelves separately
- Order Gap Filler to close off the bottom rear when unit is wider than the island width.
- Actual width of unit equals nominal width plus 2"
- Accepts Accessory Panels and connectors
- Stabilizers required and ordered separately for Non-Compliant height to depth Wall End Displays (See Product Safety information for Height to Depth Chart)



Product Options and Numbers

	QTY.
A. Upright	2
B. Base Bracket (Standard or Heavy Duty)	2
C. Deck (Standard or Heavy Duty)	1
D. Base Front (Open or Closed)	1
E. Top Rail	1
F. Center Rail (2 per section 78H-120H)	1 or 2
G. Bottom Rail	1
H. Splicer Rail (Sections 78H-120H) Use 2 top rails for splicer on 2' and 30" wide sections.	1
I. Back Material (1 or 2 per side)	See Back Chart
J. Base End Trim (Pair)	1
K. Upright End Trim	2



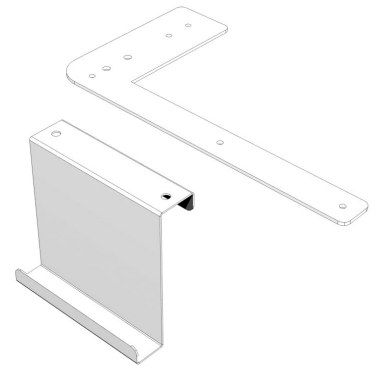
ORDERING INSTRUCTIONS FOR ISLAND SECTIONS 1/4" BACK MATERIAL

	QTY.
A. Upright (Standard or Heavy Duty)	2
B. Base Set (Standard or Heavy Duty)	1
C. Hardboard Back and Rail Set 2-Sided	1
D. Upright End Trim	2

WED SIZES									
Depth	Height								
	48"	54"	60"	66"	72"	78"	84"	90"	96"
13"			N/A	N/A	N/A	N/A	N/A	N/A	N/A
16"						N/A	N/A	N/A	N/A
19"									N/A
22"									
25"									

Full Height Wing to Wall End Display Accessory Panel Connectors

- Accessory Panel Connectors are needed to attach Accessory Panels to Wall or Contoured End Display, End Merchandising Panels and Close Off Panel
- Order APWF when installing a Full Height Accessory Panel (FHAP) to the Wall End Display; when installing on a T-Leg Wall End Display, order with a Flush Accessory Panel (FAP)
- A Wall End Display Rail (WEDER) is required, order separately
- See Installation Instructions for load capacities and limitations



INCLUDES

- Upper Connector
- Base Angle
- Hardware Pack

Product Options and Numbers

Example Part #: **APWF 06 PLT CHR**

Full Height Wing to Wall End Display Accessory Panel Connectors: **APWF**

Base Type: **06**, LB, TL (FAP Only)

Upper Connector Standard Finish: **PLT**, Optional Catalog Colors

Lower Connector Standard Finish: **CHR**, Optional Catalog Colors

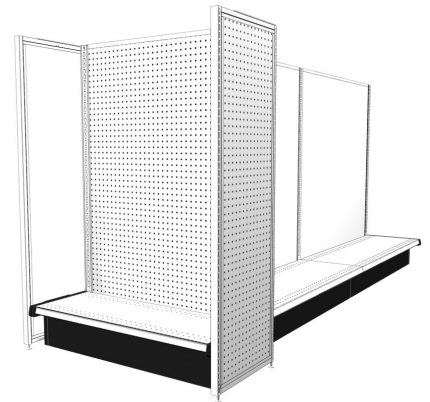
Please view Optional Catalog Colors and Contact Product Management for respective multiple finish code.

Suffix Key

06	- 06 Base (8"H)		
LB	- Low Base (6"H)		
TL	- T Leg		
FAP	- Flush Accessory Panel		
PLT	- Platinum	CHR	- Charcoal Black

Full Height Accessory Panel

- Full Height version of Flush Accessory Panel (FAP)
- Panel extends past the Base End Trim or End Deck and rests on the floor with leveling legs
- Not compatible with T-Leg Wall End Displays



Product Options and Numbers

Example Part #: **FHAP 60 16 P M PLT PLT PLT**

Full Height Accessory Panel: **FHAP**

Upright Height: 42", 48", 54", **60"**, 66", 72", 78", 84", 90", 96"

Width: 14", **16"**, 18", 24", 30", 36"

Exterior Panel Style: **P**, M, P2, M2, S, SI, WG, SG, LG, MG

Interior Panel Style (if required): **M**, M2, Omit if P2 Exterior Panel

Exterior Panel Standard Finish: **PLT**, Optional Catalog Colors, Optional Catalog Laminates for Slotwall only

Aluminum Insert (if required): ALU (SI only)

Interior Panel Standard Finish (if required): **PLT**, Optional Catalog Colors, Omit if P2 Exterior Panel

Frame Standard Finish: **PLT**, Optional Catalog Colors

Suffix Key

P	- Pegboard Back
M	- Marteck Back
P2	- Single Pegboard Back, painted two sides
M2	- Single Marteck Back, painted two sides
S	- Slotwall Back
SI	- Slotwall Back with Inserts
WG	- 3x3 Wire Grid Back
SG	- Slot Grid Back
LG	- Louver Grid Back
MG	- Multi-Grid Back
PLT	- Platinum
ALU	- Aluminum

Vertical Sign Channel for Wing Panel

Contact your Sales Rep for ordering Information

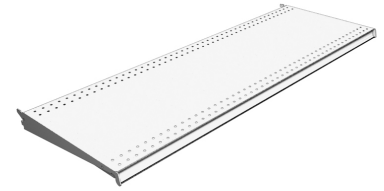
Product Options and Numbers

Part #: **CDC410**



TL Shelf

- Two position tilt-in Shelf with extended bracket
- Angular adjustment: flat or 17° downslope
- Molding accommodates a 1.235" tag
- 1/4" perforations for clip-on accessories
- Can order with Aluminum Tag Moldings installed or can order Molding for Shelf separately



Product Options and Numbers

Example Part #: **TL 4 19 N PLT**

TL Shelf: **TL**

Width: 2', 30", 3', **4'**

Depth: 7", 10", 13", 15", 16", 17", **19"**, 20", 22", 25", 28", 31"

Molding: **N**, M13P, M13S, M35P, M35S

Standard Finish: **PLT**, Optional Catalog Colors

Finish When Ordering Painted Molding : **34K**, Please Contact Product Management for multiple finish codes

Suffix Key

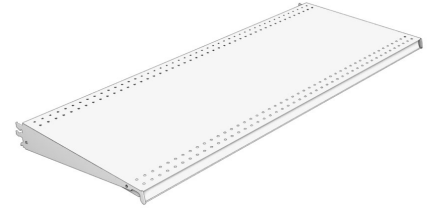
N	- No Molding
M13P	- M13 Painted Molding
M13S	- M13 Satin Molding
M35P	- M13 Painted Molding
M35S	- M35 Satin Molding
PLT	- Platinum
34K	- Platinum Body & Platinum Painted Molding

Shelf Depth	Downslope	
	Flat	17°
7"	300 lbs	300 lbs
10" - 25"	500 lbs	250 lbs
28" & 31"	400 lbs	200 lbs

Lbs. evenly distributed

DL Shelf

- Three position, drop-in shelf with extended bracket
- Angular adjustment: flat, 17° or 30° downslope
- 1/4" perforations for clip-on accessories
- Can order with Aluminum Tag Moldings or can order Molding for shelf separately



Product Options and Numbers

Example Part #: **DL 4 19 N PLT**

DL Shelf: **DL**

Width: 2', 30", 3', **4'**

Depth: 7", 10", 13", 15", 16", 17", **19"**, 20", 22", 25", 28", 31"

Molding: **N**, M13P, M13S, M35P, M35S

Standard Finish: **PLT**, Optional Catalog Colors

Finish When Ordering Painted Molding : **34K**, Please Contact Product Management for multiple finish codes

Suffix Key

N	- No Molding
M13P	- M13 Painted Molding
M13S	- M13 Satin Molding
M35P	- M13 Painted Molding
M35S	- M35 Satin Molding
PLT	- Platinum
34K	- Platinum Body & Platinum Painted Molding

Shelf Depth	Downslope		
	Flat	17°	30°
7"	300 lbs	300 lbs	125 lbs
10" - 19"	500 lbs	250 lbs	250 lbs
20" - 25"	500 lbs	250 lbs	125 lbs

28" & 31"	400 lbs	200 lbs	100 lbs
----------------------	---------	---------	---------

Lbs. evenly distributed.