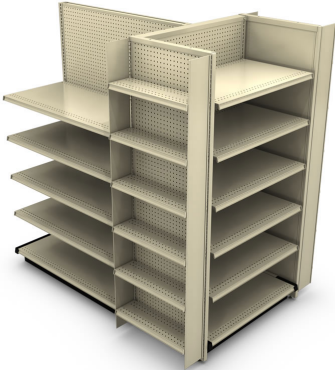


| You are in: Lozier > Products > End Cap with Full Height Wing Panels

End Cap with Full Height Wing Panels

Part Number:



Wall End Display End Cap featuring Full Height Accessory Panels for wings.

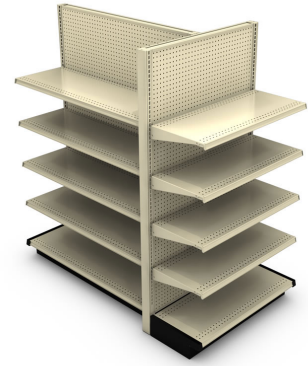
Product Details:

How to Order

This End Cap features a combination of Lozier Products.
See below for details.

Wall End Displays

- Freestanding End Display
- Pegboard Front Panel and Marteck Back Panel
- Other Back Panel styles available
- Order Shelves separately
- Order Gap Filler to close off bottom rear when unit is wider than Island width (example: 3'W WED on 35"W Island)
- Actual width of unit equals the nominal width plus 2"
- Base End Trim and Closed Base Front available in CHR only
- Evenly distributed load of 600 lbs per Deck (13"-19"D) and 800 lbs per Deck (22"-25"D)



TO ORDER OTHER BACK STYLES

- Delete the Peg Front and/or Marteck Rear Back(s) and replace with the desired Back(s)
- If Slotwall Backs desired, order required Rails

TO ORDER DECKS WITH ALUMINUM MOLDING

- Delete Standard Deck and add Deck with Molding

Product Options and Numbers

Example Part #: **WED 4 60 22 LB S PLT PLT PLT**

Wall End Display: **WED**

Unit Width: 2', 30", 3', **4'**

Upright Height: 48", 54", **60"**, 66", 72", 78", 84", 90", 96"

Base Deck Depth: 13", 16", 19", **22"**, 25"

Base Height: **LB**, Omit for 06 Base

Spring Locking Base Bracket: **S**

Uprights and Upright Trim Standard Finish: **PLT**, Optional Catalog Colors

Back and Rail Standard Finish: **PLT**, Optional Catalog Colors

Deck Standard Finish: **PLT**, Optional Catalog Colors

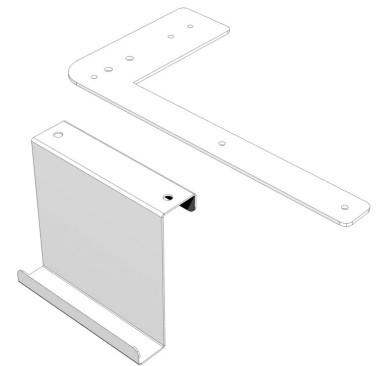
Suffix Key

- LB** - Low Base (6"H)
- 06** - 06 Base (8"H)
- PLT** - Platinum

WED SIZES									
Depth	Height								
	48"	54"	60"	66"	72"	78"	84"	90"	96"
13"			N/A	N/A	N/A	N/A	N/A	N/A	N/A
16"						N/A	N/A	N/A	N/A
19"									N/A
22"									
25"									

Full Height Wing to Wall End Display Accessory Panel Connectors

- Accessory Panel Connectors are needed to attach Accessory Panels to Wall or Contoured End Display, End Merchandising Panels and Close Off Panel
- Order APWF when installing a Full Height Accessory Panel (FHAP) to the Wall End Display; when installing on a T-Leg Wall End Display, order with a Flush Accessory Panel (FAP)
- A Wall End Display Rail (WEDER) is required, order separately
- See Installation Instructions for load capacities and limitations



INCLUDES

- Upper Connector
- Base Angle
- Hardware Pack

Product Options and Numbers

Example Part #: **APWF 06 PLT PLT**

Full Height Wing to Wall End Display Accessory Panel Connectors: **APWF**

Base Type: **06**, LB, TL (FAP Only)

Upper Connector Standard Finish: **PLT**, Optional Catalog Colors

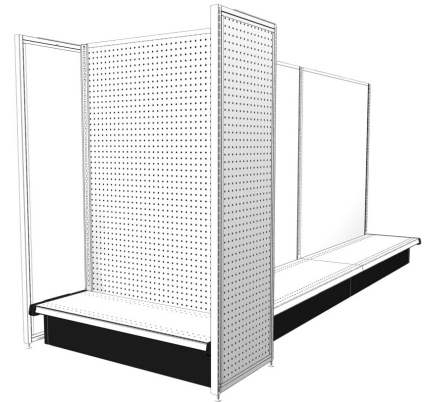
Lower Connector Standard Finish: **CHR**, Optional Catalog Colors

Suffix Key

06	- 06 Base (8"H)		
LB	- Low Base (6"H)		
TL	- T Leg		
FAP	- Flush Accessory Panel		
PLT	- Platinum	CHR	- Charcoal Black

Full Height Accessory Panel

- Full Height version of Flush Accessory Panel (FAP)
- Panel extends past the Base End Trim or End Deck and rests on the floor with leveling legs
- Not compatible with T-Leg Wall End Displays



Product Options and Numbers

Example Part #: **FHAP 60 16 P M PLT PLT PLT**

Full Height Accessory Panel: **FHAP**

Upright Height: 42", 48", 54", **60"**, 66", 72", 78", 84", 90", 96"

Width: 14", **16"**, 18", 24", 30", 36"

Exterior Panel Style: **P**, M, P2, M2, S, SI, WG, SG, LG, MG

Interior Panel Style (if required): **M**, M2, Omit if P2 Exterior Panel

Exterior Panel Standard Finish: **PLT**, Optional Catalog Colors, Optional Catalog Laminates for Slotwall only

Aluminum Insert (if required): ALU (SI only)

Interior Panel Standard Finish (if required): **PLT**, Optional Catalog Colors, Omit if P2 Exterior Panel

Frame Standard Finish: **PLT**, Optional Catalog Colors

Suffix Key

P	- Pegboard Back
M	- Marteck Back

P2	- Single Pegboard Back, painted two sides
M2	- Single Marteck Back, painted two sides
S	- Slotwall Back
SI	- Slotwall Back with Inserts
WG	- 3x3 Wire Grid Back
SG	- Slot Grid Back
LG	- Louver Grid Back
MG	- Multi-Grid Back
PLT	- Platinum
ALU	- Aluminum

Vertical Sign Channel for Wing Panel

Contact your Sales Rep for ordering Information

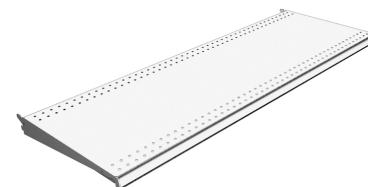
Product Options and Numbers

Part #: **CDC410**



TL Shelf

- Two position tilt-in Shelf with extended bracket
- Angular adjustment: flat or 17° downslope
- Molding accommodates a 1.235" tag
- 1/4" perforations for clip-on accessories
- Can order with Aluminum Tag Moldings installed or can order Molding for Shelf separately



Product Options and Numbers

Example Part #: **TL 4 19 N PLT**

TL Shelf: TL

Width: 2', 30", 3', 4'

Depth: 7", 10", 13", 15", 16", 17", 19", 20", 22", 25", 28", 31"

Molding:N, M13S, M35S

Standard Finish: PLT, Optional Catalog Colors

Suffix Key

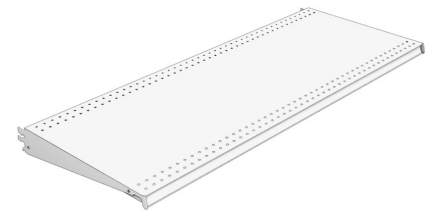
- N** - No Molding
- M13S** - M13 Satin Molding
- M35S** - M35 Satin Molding
- PLT** - Platinum

Shelf Depth	Downslope	
	Flat	17°
7"	300 lbs	300 lbs
10" - 25"	500 lbs	250 lbs
28" & 31"	400 lbs	200 lbs

Lbs. evenly distributed

DL Shelf

- Three position, drop-in shelf with extended bracket
- Angular adjustment: flat, 17° or 30° downslope
- 1/4" perforations for clip-on accessories
- Can order with Aluminum Tag Moldings or can order Molding for shelf separately



Product Options and Numbers

Example Part #: DL 4 19 N PLT

DL Shelf: DL

Width: 2', 30", 3', 4'

Depth: 7", 10", 13", 15", 16", 17", **19"**, 20", 22", 25", 28", 31"

Molding: **N**, M13S, M35S

Standard Finish: **PLT**, Optional Catalog Colors

Suffix Key

- N** - No Molding
- M13S** - M13 Satin Molding
- M35S** - M35 Satin Molding
- PLT** - Platinum

Shelf Depth	Downslope		
	Flat	17°	30°
7"	300 lbs	300 lbs	125 lbs
10" - 19"	500 lbs	250 lbs	250 lbs
20" - 25"	500 lbs	250 lbs	125 lbs
28" & 31"	400 lbs	200 lbs	100 lbs

Lbs. evenly distributed.