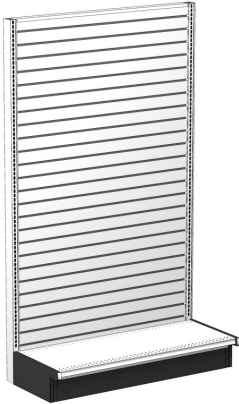


| You are in: Lozier > Products > Wall Section (Slotwall Backs)

# Wall Section (Slotwall Backs)

Part Number:



## Product Details:

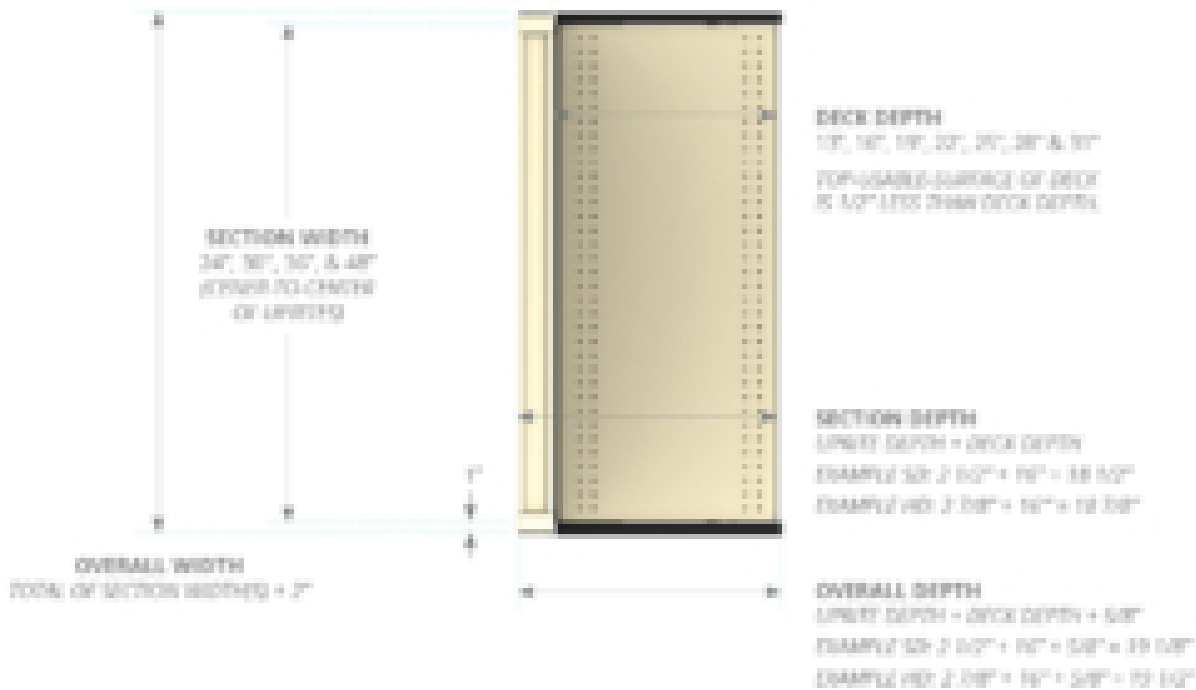
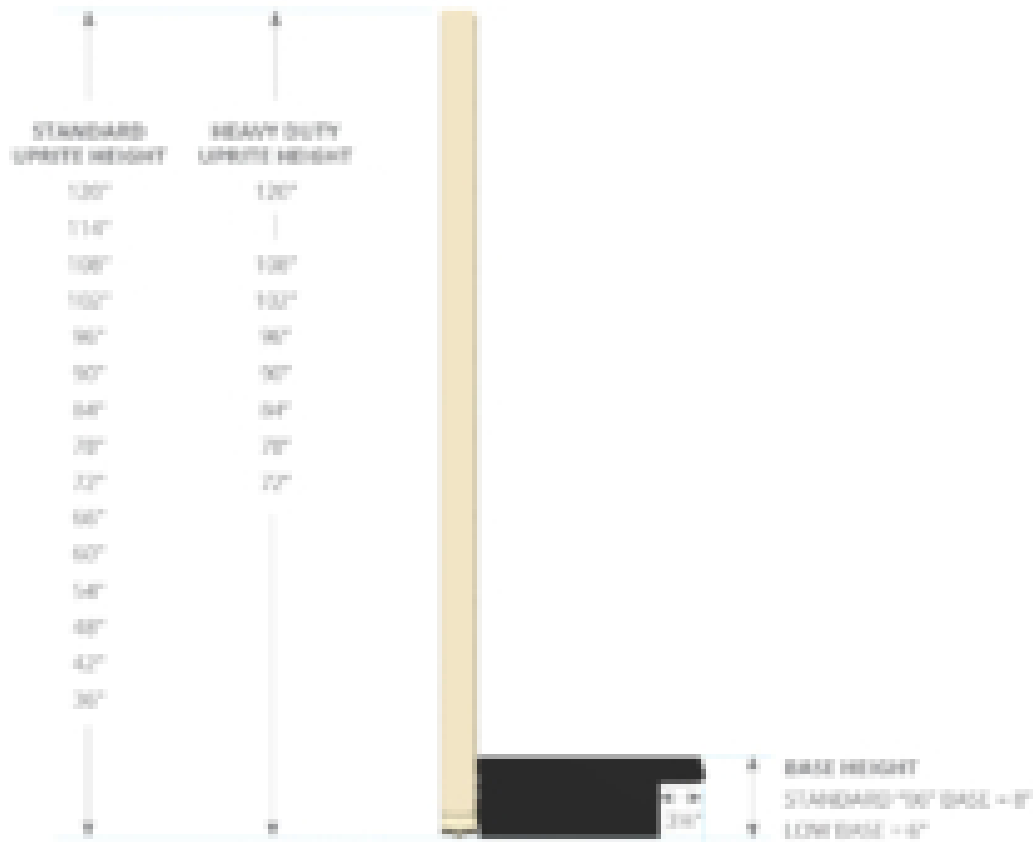
### Standard Duty- Load Rating

- Low Base -15,000 inch lbs unbalanced
- 06 Base- 12,000 inch lbs unbalanced

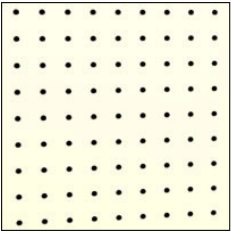
### Heavy Duty- Load Rating

- Low Base -18,000 inch lbs unbalanced
- 06 Base- 20,000 inch lbs unbalanced

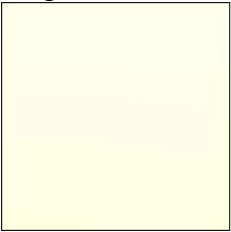
## DIMENSIONS



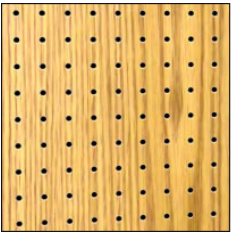
BACK OPTIONS



Pegboard



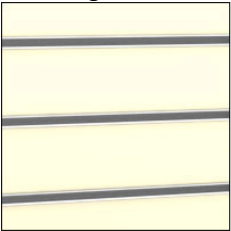
Marteck



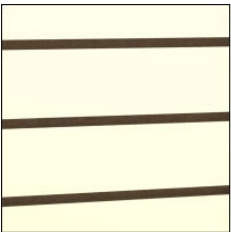
Peg Woodgrain



Woodgrain



Slotwall w/ Inserts



Slotwall



Econo Marteck

## How to Order

---

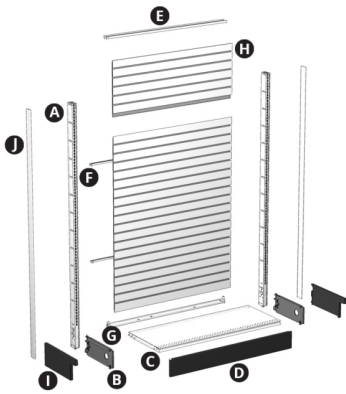
	STARTER QTY.	ADD- ON QTY.
<b>A.</b> Upright Base Bracket	2	1
<b>B.</b> (Standard or Heavy Duty) Deck (Standard or Heavy Duty)	2	1
<b>C.</b> Base Front (Open or Closed)	1	1
<b>D.</b> Top Rail Slotwall Center Rail	1	1
<b>F.</b> (2 per section 78H- 120H) Bottom Rail (Heavy Duty 3' & 4' sections)	1 or 2	1 or 2
<b>G.</b> Slotwall Backs (1-pc to 66H 2-pc 72H- 120H)	See Slotwall Back Chart	See Slotwall Back Chart
<b>I.</b> Base End Trim (Pair)	1	0

J. Upright End Trim

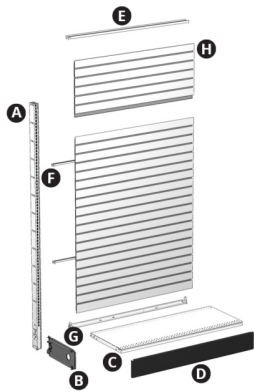
2

0

**STARTER**



**ADD-ON**



## ORDERING INSTRUCTIONS FOR WALL SECTIONS SLOTWALL BACKS

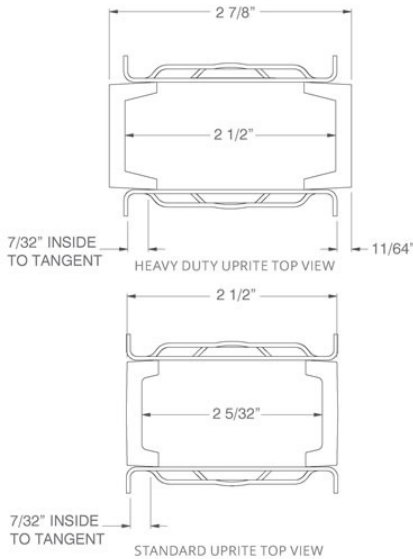
---

	STARTER QTY.	ADD- ON QTY.
<b>A.</b> Uprite (Standard or Heavy Duty)	2	1
<b>B.</b> Base Set (could be different depth or base height on either side) (Standard or Heavy Duty)	1	1
<b>C.</b> Heavy Duty Bottom Rail	1	1
<b>D.</b> Slotwall Center Rail (Qty 2 96"H-120"H)	1 or 2	1 or 2
<b>E.</b> Top Rail	1	1
<b>F.</b> Slotwall Back (See chart -2-pc each side 72"H-120"H)	1	1
<b>G.</b> Uprite End Trim	2	0

## Uprites

---

- 3/16" thick face channel
- 1" slotted on center for maximum flexibility
- Use for Wall and Island Sections
- Steel welded construction
- Includes side flanges to retain Back material, leveling leg for uneven floors
- Includes Top Caps on Uprites 36"-66"H



## Product Options and Numbers

Example Part #: **U 42 PLT**

**Uprite:** U, UH

**U Height:** 30", 36", **42"**, 48", 54", 60", 66", 72", 78", 84", 90", 96", 102", 108", 114", 120"

**UH Height:** 72", 78", 84", 90", 96", 108", 120"

**Standard Finish:** **PLT**, Optional Catalog Colors

### Suffix Key

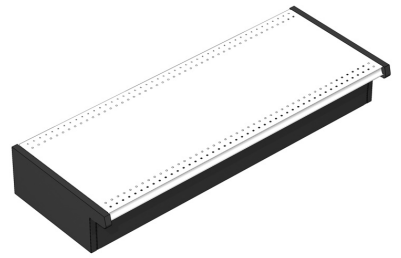
<b>PLT</b>	- Platinum
<b>U</b>	- Uprite
<b>UH</b>	- Heavy Duty Uprite

## Base Set

---

- 06 or Low Base height
- Standard or Heavy Duty
- Starter and Add-On

Order 1 for each side of the gondola section (Starter or Add-On)



## Product Options and Numbers

### INCLUDES:

- A. Base Bracket(s) (Standard or Heavy Duty)
- B. Base Front (Open or Closed)
- C. S-Series Deck (Standard Duty-Optional Reinforced)
- D. Base End Trim

### BASE SET

**Type:** Add On, Starter

**Base Bracket Style:** Heavy Duty, Standard Duty

**Width:** 2', 30", 3', 4'

**Depth:** 13", 16", 19", 22", 25", 28", 31"

**Deck Style:** Heavy Duty, S-Style, S-Style Reinforced



**Molding Type:** M13 Painted, M13 Satin, M35 Painted, M35 Satin, M55 Painted, M55 Satin, No Molding, MR1 Painted, MR1 Satin

**Base Height:** 06 Base, Low Base

**Base Front Style:** Closed, Open

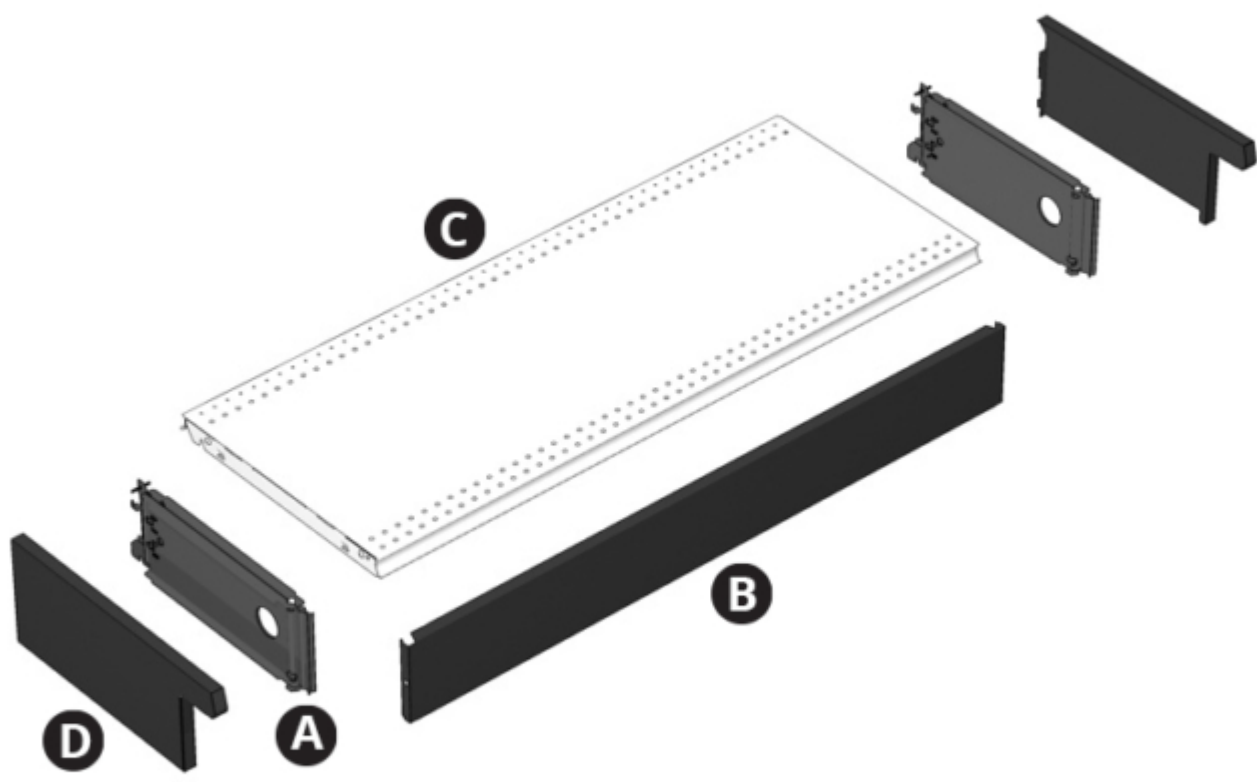
**Base Finish:** CHR

**Deck Finish:** PLT Optional Catalog Colors

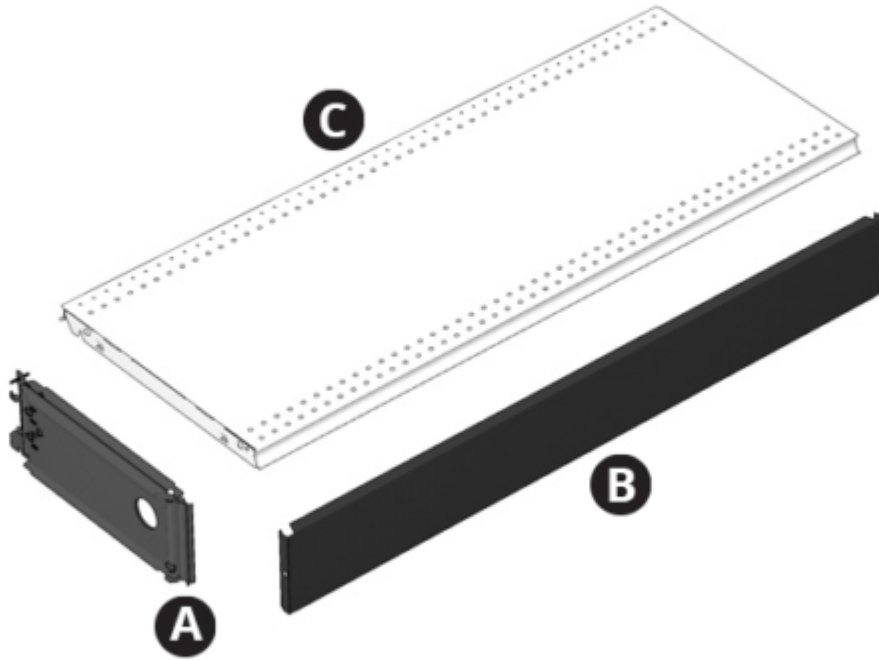
**Deck Top Finish:** LAX Optional Catalog Laminates (Laminated Decks Only-Requires MR1 Molding)

**Molding Finish:** Omit No Molding, SAT, PLT Painted Optional Catalog Colors

**STARTER**



ADD-ON



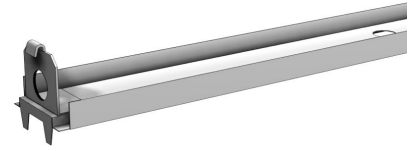
### Suffix Key

<b>CHR</b>	- Charcoal Black
<b>LAX</b>	- Platinum Laminate
<b>PLT</b>	- Platinum
<b>SAT</b>	- Satin Molding
<b>M13</b>	- M13 Tag Molding
<b>M35</b>	- M35 Tag Molding
<b>M55</b>	- M55 Tag Molding

## Heavy Duty Bottom Rail

---

- Slotwall Island and Wall Sections require at least one Top, Slotwall Center, and Heavy Duty Bottom Rail
- For use with 3' and 4' Slotwall Backs only
- For 2' and 30" Slotwall Backs use Bottom Rail



### Product Options and Numbers

Example Part #: **R 4 HDB PLT**

Rails:**R**

Width: 3', **4'**

Heavy Duty Bottom Rail: **HDB**

Standard Finish: **PLT**, Optional Catalog Colors

#### Suffix Key

**PLT** - Platinum Color

## Slotwall Center Rail

---

- Slotwall Island and Wall Sections require at least one Top, Slotwall Center, and Heavy Duty Bottom Rail
- Order one Slotwall Center Rail for 36" - 66"H Uprites
- Order two Slotwall Center Rails for 72" - 144"H Uprites
- Use one Slotwall Center Rail on 12" - 48"H Extension Uprites



### Product Options and Numbers

Example Part #: **R 4 SC PLT**

Rails:**R**

Width: 2', 30", 3', 4'

Slotwall Center Rail: **SC**

Standard Finish: **PLT**

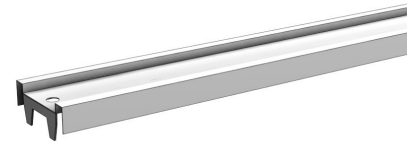
#### Suffix Key

**PLT** - Platinum Color

## Top Rail

---

- All Island and Wall Sections require one Top, Center and Bottom Rail
- 2' and 30" sections use two Top Rails to make a Splicer Rail
- Electrical knockouts included on all Rails



## Product Options and Numbers

Example Part #: **R 4 T PLT**

Rails:**R**

Width: 2', 30", 3', 4'

Top Rail: **T**

Standard Finish: **PLT**, Optional Catalog Colors

#### Suffix Key

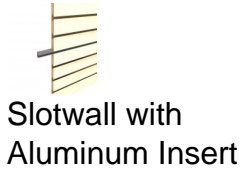
**PLT** - Platinum Color

## Slotwall Backs

---

**SLOTWALL BACK OPTIONS:**

- Nominal Back Height is Upright Height minus 6" for uprights up to 66H, 2-pc backs used for uprights taller than 66"
- Features T Slot 3" on center that accepts standard Slotwall accessories.
- Order Aluminum inserts for enhanced hanging strength
- Laminated strip insert available (factory installed)
- Appropriate clearance required above the shelving to install



WALL OR ISLAND BACK HEIGHT		
Nominal Width: 2', 30", 3', 4'		
Upright Height	Extension Upright Height	Part # Components
	12"	BE_12S
	18"	BE_18S
	24"	BE_24S

36"	30"	BE_30S
42"	36"	BE_36S
48"	42"	BE_42S
54"	48"	BE_48S
60"		BE_54S
66"		BE_60S
72"		BLE_48S + BU_18S
78"		BLE_60S + BU_12S
84"		BLE_60S + BU_18S
90"		BLE_60S + BU_24S
96"		BLE_48S + BU_42S
102"		BLE_60S + BU_36S
108"		BLE_60S + BU_42S
114"		BLE_60S + BU_48S
120"		BLE_60S + BU_54S
<b>*Add "I" suffix for aluminum or laminated inserts</b>		

## Product Options and Numbers

Example Part #: **BLE 4 60 S LAX ALU**

**Back Type:** BLE (lower extension, BU\_ (upper), BE (upper extension))

**Width:** 2', 30", 3', 4'

**Height:** 12", 18", 24", 30", 36", 42", 48", 54", 60"

**Slotwall:** S, With Inserts SI

**Standard Panel Finish:** PLT Optional Catalog Paint Color or **LAX** Optional Catalog Colors

**Insert Finish:** ALU, LAX Optional Catalog Laminates

LAX Panel/ALU insert is multiple finish code is 3X8. Contact Product Management for other multiple finish codes.

Suffix Key	
<b>S</b>	- Slotwall
<b>SI</b>	- Slotwall with Inserts
<b>PLT</b>	- Platinum
<b>LAX</b>	- Platinum Laminate
<b>ALU</b>	- Aluminum

## Upright and Extension Upright End Trim

---

- One-piece trim (Two-pieces if 102"-144"H) snaps onto first and last Upright or Extension Upright in a run
- Can be used on both sides of Extension Uprights where Extension Backs are not used



### Product Options and Numbers

Example Part #: **UET 48 PLT**

Upright/Extension Upright End Trim: **UET**

**Height:** 6", 12", 18", 24", 30" 36", 42", **48"**, 54", 60", 66", 72", 78", 84", 90", 96", 102", 108", 114", 120"

**Standard Finish:** **PLT**, Optional Catalog Colors

Suffix Key	
<b>PLT</b>	- Platinum