

| You are in: [Lozier](#) > [Products](#) > [Wall End](#)

# Wall End

Part Number: **WE**



Add these components to your Wall Section(s) to finish off a Wall run.

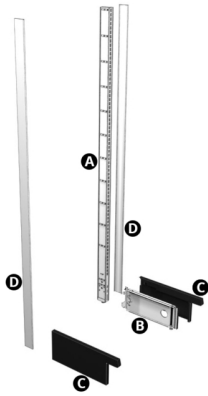
## Product Details:

Add these components to your Wall Section(s) to finish off a Wall run.

## How to Order

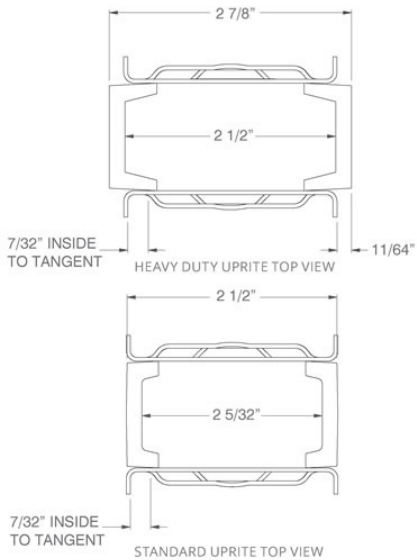
---

COMPONENTS (ORDER SEPARATELY)	QTY.
A. Uprite	1
Base Bracket (Standard or Heavy Duty)	1
C. Base End Trim	1 (pair)
D. Uprite End Trim	2



## Uprite

- 3/16" thick face channel
- 1" slotted on center for maximum flexibility
- Use for Wall and Island Sections
- Steel welded construction
- Includes side flanges to retain Back material, leveling leg for uneven floors
- Includes Top Caps on Uprites 36"-66"H



## Product Options and Numbers

Example Part #: **U 42 PLT**

**Uprite:** U, UH

**U Height:** 30", 36", **42"**, 48", 54", 60", 66", 72", 78", 84", 90", 96", 102", 108", 114", 120"

**UH Height:** 72", 78", 84", 90", 96", 108", 120"

**Standard Finish:** **PLT**, Optional Catalog Colors

#### Suffix Key

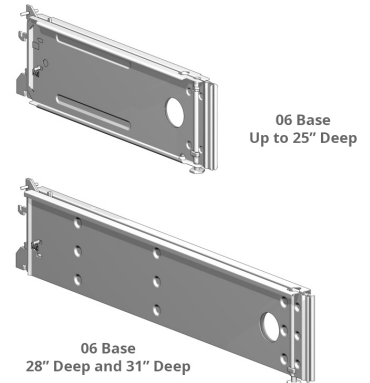
<b>PLT</b>	- Platinum
<b>U</b>	- Uprite
<b>UH</b>	- Heavy Duty Uprite

## Spring Locking Base Bracket

- Features 2" conduit hole for greater electrical access
- Includes leveling legs for uneven flooring
- Install straight in using integral spring latch
- 28" deep and 31" deep base brackets are only Heavy Duty. There are no Standard Duty 28" deep or 31" deep base brackets.

### NOTE

Actual Bracket length is 3" less than nominal Deck depth. Order CHR Base Brackets when using Open Base Fronts. (This is done automatically when section/end part numbers are ordered with OBF's.)



## Product Options and Numbers

Example Part #: **BB 19 06 S PTD**

**Base Bracket:****BB (Standard Duty)**, BBH (Heavy Duty)

**Deck Depth BB:**13", 16", **19"**, 22", 25", 28", 31"

**Deck Depth BBH:**16", 19", 22", 25"

**Base Height:** **06**, LB

## Spring Locking Base Bracket: **S**

Standard Finish: **PTD**, Optional CHR

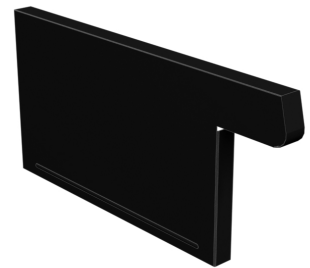
\* BB28 and BB31 are rated for Heavy Duty

Suffix Key	
<b>06</b>	- 06 Base (8"H)
<b>LB</b>	- Low Base (6"H)
<b>PTD</b>	- Painted Random
<b>CHR</b>	- Charcoal Black

## Base End Trim

---

- Attaches to the first and last Base Bracket in a run
- Comes in a pair
- One pair is required to finish a Wall run
- Two pairs are required to finish an Island run



## Product Options and Numbers

Example Part #: **BET 13 06 CHR**

Base End Trim: **BET**

Deck Depth: **13"**, 16", 19", 22", 25", 28", 31"

Base Height: **06**, LB

Standard Finish: **CHR**

Suffix Key	
<b>06</b>	- 06 Base (8"H)
<b>LB</b>	- Low Base (6"H)
<b>CHR</b>	- Charcoal Black

## Upright and Extension Upright End Trim

---

- One-piece trim (Two-pieces if 102"-144"H) snaps onto first and last Uprite or Extension Uprite in a run
- Can be used on both sides of Extension Uprites where Extension Backs are not used



## Product Options and Numbers

Example Part #: **UET 48 PLT**

Uprite/Extension Uprite End Trim: **UET**

Height: 6", 12", 18", 24", 30", 36", 42", **48"**, 54", 60", 66", 72", 78", 84", 90", 96", 102", 108", 114", 120"

Standard Finish: **PLT**, Optional Catalog Colors

### Suffix Key

**PLT**

- Platinum