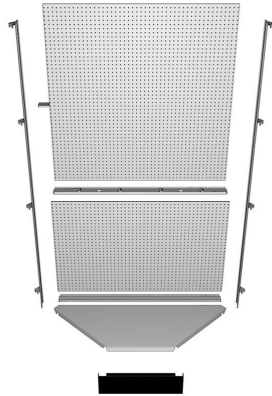


| You are in: Lozier > Products > Inside Corner Shelving Units

# Inside Corner Shelving Units

Part Number:



Join two adjacent Wall Gondolas with an Inside Corner Shelving Unit. To complete the unit order one set of 4' Back Rails, one 4' Back Panel (or two if height requires), one pair of Inside Corner Side Rails, one Inside Corner Deck, and one Inside Corner Closed Base Front.

## Product Details:

- Side Rails attach to adjacent Uprites to retain Inside Corner Back and Rails
- Utilize standard Backs and Rails

## COMPONENTS

- 4' Back Rails
- 4' Back Panel(s)
- Inside Corner Side Rails
- Inside Corner Deck
- Corner Closed Base Front

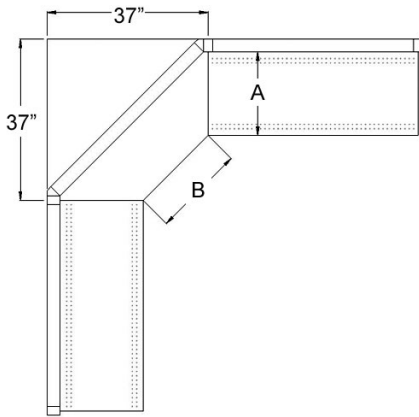
## ORDERING INSTRUCTIONS

- Order one set of 4' Back Rails: Top, Center, and Bottom Rails
- Order 4' Back Panel(s) depending on height
- Order one pair of Inside Corner Side Rails

- Order one Inside Corner Deck and Inside Corner Closed Base Front
- Order Inside Corner Shelves

## How to Order

---



Two Piece Backs	
Height	Order
78"	BE_36 + BE_36
84"	BE_30 + BE_48
90"	BE_36 + BE_48
96"	BE_42 + BE_48
108"	BE_66 + BE_36
120"	BE_66 + BE_48

Deck A	Tag/Length B
16"	26"

19"	21"
22"	17"
25"	13"

## Inside Corner Side Rails

---

- Only sold in pairs
- One pair required per Corner
- Use only in single back applications where back of unit is not exposed



### Product Options and Numbers

Example Part #: **IR 84 PLT**

Pair of Inside Corner Side Rail:**IR**

Height: **84"**, 96"

Standard Finish: **PLT**, Optional Catalog Colors

#### Suffix Key

**PLT** - Platinum

## Inside Corner Closed Base Front

---

- Order to match the depth of adjacent Wall Section Base Decks and Base height (06 or Low Base)

### Product Options and Numbers

Example Part #: **CBFIC 4 16 06 CHR**



Inside Corner Closed Base Front: **CBFIC**

Inside Corner Section Width: **4'**

Depth: **16"**, 19", 22", 25"

Base Height: **06**, LB

Standard Finish: **CHR**

#### Suffix Key

<b>06</b>	- 06 Base (8"H)
<b>LB</b>	- Low Base (6"H)
<b>CHR</b>	- Charcoal Black Paint

## Inside Corner Shelves

---

- 1.235" Tag Molding and unpunched top
- Brackets included

Deck A	Tag Length B
16"	26"
19"	21"
22"	17"
25"	13"



Two Piece Backs	
HEIGHT	ORDER
78"	BE_36 + BE_36
84"	BE_30 + BE_48
90"	BE_36 + BE_48
96"	BE_42 + BE_48
108"	BE_66 + BE_36

120"	BE_66 + BE_48
------	------------------

## Product Options and Numbers

Example Part #: **DLIC 4 16 N PLT**

Inside Corner Shelf: **DLIC**

Inside Corner Section Width: **4'**

Depth: 13", 15", **16"**, 17", 19", 22", 25"

No Molding: **N**

Standard Finish: **PLT**, Optional Catalog Colors

### Suffix Key

**PLT** - Platinum

## Inside Corner Deck

---

- 1.235" Tag Molding and unpunched top
- Order depth to match adjacent Wall Section Deck depths
- Right and left-hand adjacent Wall Sections must have Decks of the same depth



## Product Options and Numbers

Example Part #: **SDIC 4 16 N PLT**

Inside Corner Deck: **SDIC**

Inside Corner Section Width: **4'**

Depth: **16"**, 19", 22", 25"

No Molding: **N**

Standard Finish: **PLT**, Optional Catalog Colors

Suffix Key

**PLT**

- Platinum