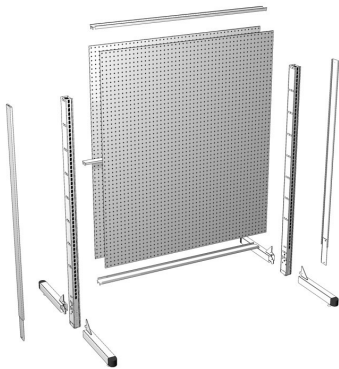


| You are in: Lozier > Products > Leveler T-Leg Sections

Leveler T-Leg Sections

Part Number:



Product Details:

- Converts Display Shelving Wall or Island into a no-deck unit
- Installs on any length Wall or Island run
- Consists of 2" sq. tubular T-Leg with leveler

COMPONENTS

- Uprites
- T-Leg Uprite End Trims
- Top Rail
- Bottom Rail
- Center Rail
- Splicer Rail (if applicable)
- Removable Leveler T-Legs
- Backs

ORDERING INSTRUCTIONS

- Order desired number of Wall or Island Sections without base brackets, base fronts, decks, base end trims or uprite end trims. Order 1 extra uprite to finish off the run. (see Gondola System section for gondola components) Add one Leveler T-Leg for each wall and two for each island section. Also, order one or two additional respectively for end of run.
- Order two T-Leg uprite end trims

Wall Run

| T-Leg Depth | Max. Upright Height |
|--------------------|----------------------------|
| 13" | 66" |
| 16" | 84" |
| 19" | 96" |
| 22" | 120" |

For Islands, any combination of Leveler T-Legs can be used with any Lozier Upright.

How to Order

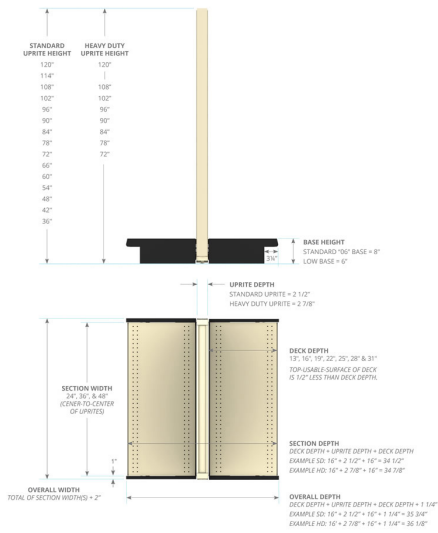
Island Section

INCLUDES

- 1 Upright
- 2 Base Brackets
- 2 Base Decks
- 2 Closed Base Fronts
- 1 Top Rail
- 1 Center Rail (2 on 96-144"H)
- 1 Bottom Rail
- 1 Splicer Rail (78"-144"H)
- Back Material



DIMENSIONS



BACK OPTIONS



Pegboard



Marteck



Peg Mirror



Peg Woodgrain



Woodgrain



Slotwall w/ Inserts



Slotwall



Econo Marteck

Product Options and Numbers

Example Part #: **IS 4 54 19 19 06 S T CBF CHR PLT PLT P PLT M PLT 5 N PLT S N PLT**

Island Section: IS

Section Width: 2', 3', 30", 4'

Height: 36", 42", 48", 54", 60", 66", 72", 78", 84", 90", 96", 108", 120"

Base Deck Depth, Side A: 13", 16', 19", 20", 22", 25", 28", 31" (13" not available in HD)

Base Deck Depth, Side B: 13", 16', 19", 20", 22", 25", 28", 31" (13" not available in HD)

Base Type: 06, LB

Spring Locking Base Bracket: S, HD (Includes HD Base Bracket and HD Upright)

Rail Type: T, Omit for regular rails (Not available in HD)

Base Front: CBF, OBF

Base Front Color: CHR

Upright Color: PLT, Optional Catalog Colors

Back Rail Color: PLT, Optional Catalog Colors

Back Material, Side A: P, M, S, SI, ME, W, PW, PM, NBR

Back Color, Side A: PLT, Optional Catalog Colors

Back Material, Side B: P, M, S, SI, ME, W, PW, PM, NBR

Back Color, Side B: PLT, Optional Catalog Colors

Deck, Side A: S, HDSD

Deck Molding, Side A: N, M13S, M55S, M35S, MR1S

Deck Color, Side B: PLT, Optional Catalog Colors

Deck, Side B: S, HDSD

Deck Molding, Side B: N, M13S, M55S, M35S, MR1S

Deck Color, Side B: PLT, Optional Catalog Colors

Suffix Key

| | |
|------------|---------------------|
| 06 | - 06 Base (8"H) |
| LB | - Low Base (6"H) |
| T | - Telescopic Rails |
| CBF | - Closed Base Front |

| | |
|-------------|-------------------|
| OBF | - Open Base Front |
| CHR | - Charcoal Black |
| PLT | - Platinum |
| S | - Standard Deck |
| HD | - Heavy Duty |
| HDSD | - Heavy Duty Deck |

Back Options

| | |
|------------|-------------------------|
| P | - Pegboard |
| M | - Marteck |
| S | - Slotwall |
| SI | - Slotwall with Inserts |
| ME | - Econo Marteck |
| W | - Woodgrain |
| PW | - Peg Woodgrain |
| PM | - Peg Mirror |
| NBR | - No Backs or Rails |

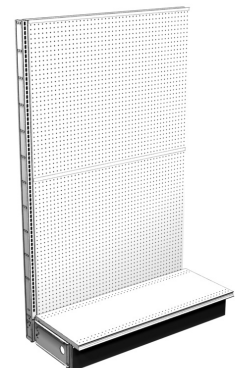
Moldings

| | |
|-------------|---------------------|
| N | - No Molding |
| M13S | - M13 Satin Molding |
| M55S | - M55 Satin Molding |
| M35S | - M35 Satin Molding |
| MR1S | - MR1 Satin Molding |

Wall Section

INCLUDES

- 1 Uprite
- 1 Base Brackets
- 1 Base Decks
- 1 Closed Base Fronts
- 1 Top Rail
- 1 Center Rail (2 on 96-144"H)
- 1 Bottom Rail
- 1 Splicer Rail (78"-144"H)



- Back Material

Product Options and Numbers

Example Part #: **WS 4 54 19 06 S CBF CHR PLT PLT P PLT S N PLT**

Wall Section: **WS**

Section Width: 2', 3', **4'**

Height: 36", 42", 48", **54"**, 60", 66", 72", 78", 84", 90", 96", 102", 108", 114", 120"

Base Deck Depth: 13", 16', **19"**, 20", 22", 25", 28", 31" (13" Not available in HD)

Base Type: **06**, LB

Spring Locking Base Bracket: **S**,HD (Includes HD Base Bracket and HD Upright)

Rail Type: T, **Omit** for regular rails (Not available in HD)

Base Front: **CBF**, OBF

Base Front Color: **CHR**

Upright Color: **PLT**, Optional Catalog Colors

Back Rail Color: **PLT**, Optional Catalog Colors

Back Material: **P**, M, S, SI, ME, W, PW, PM, NBR

Back Color: **PLT**, Optional Catalog Colors

Deck Type: **S**,HDSD

Deck Molding: **N**, M13S, M55S, M35S, MR1S

Deck Color: **PLT**, Optional Catalog Colors

Suffix Key

| | |
|------------|---------------------|
| 06 | - 06 Base (8"H) |
| LB | - Low Base (6"H) |
| T | - Telescopic Rails |
| CBF | - Closed Base Front |
| OBF | - Open Base Front |
| CHR | - Charcoal Black |
| PLT | - Platinum |

| | |
|-------------|-------------------|
| S | - Standard Deck |
| HD | - Heavy Duty |
| HDSD | - Heavy Duty Deck |

Back Options

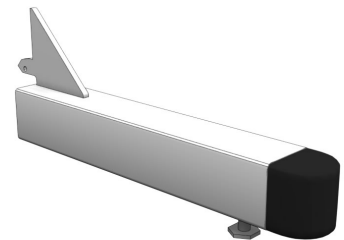
| | |
|------------|-------------------------|
| P | - Pegboard |
| M | - Marteck |
| S | - Slotwall |
| SI | - Slotwall with Inserts |
| ME | - Econo Marteck |
| W | - Woodgrain |
| PW | - Peg Woodgrain |
| PM | - Peg Mirror |
| NBR | - No Backs or Rails |

Moldings

| | |
|-------------|---------------------|
| N | - No Molding |
| M13S | - M13 Satin Molding |
| M55S | - M55 Satin Molding |
| M35S | - M35 Satin Molding |
| MR1S | - MR1 Satin Molding |

Leveler T-Leg

- Converts Display Shelving Wall or Island into a no-deck unit
- Leveler T-Legs install on any length Wall or Island run
- Caster T-Legs available for run lengths up to 12' long (3' & 4' combinations)
- Consists of 2" sq. tubular T-Leg with leveler or caster



Product Options and Numbers

Example Part #: **TLEG 16 PLT XH5**

Type: **TLEG**

Depth: 13", 16", 19", 22"

Leg Finish: PLT, Optional Catalog Colors

Cap Finish: XH5

Suffix Key

| | |
|-----|---------------------|
| PLT | - Platinum |
| XH5 | - Black Plastic Cap |

Wall Run (Leveler Sections Only)

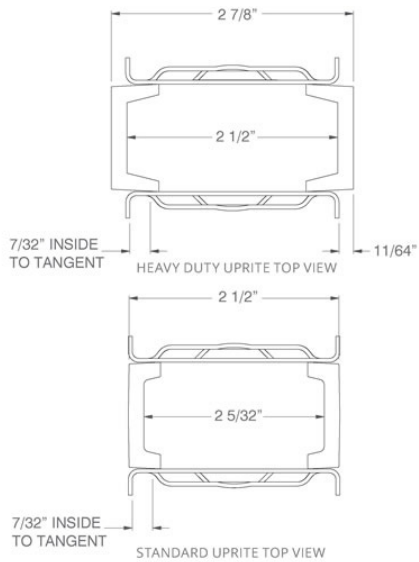
| T-Leg Depth | Max. Upright Height |
|-------------|---------------------|
| 13" | 66" |
| 16" | 84" |
| 19" | 96" |
| 22" | 120" |

For Islands, any combination of Leveler T-Legs can be used with any Lozier Upright.

Upright

- 3/16" thick face channel
- 1" slotted on center for maximum flexibility
- Use for Wall and Island Sections
- Steel welded construction
- Includes side flanges to retain Back material, leveling leg for uneven floors
- Includes Top Caps on Uprights 36"-66"H





Product Options and Numbers

Example Part #: **U 42 PLT**

Uprite: **U**, UH

U Height: 30", 36", **42"**, 48", 54", 60", 66", 72", 78", 84", 90", 96", 102", 108", 114", 120"

UH Height: 72", 78", 84", 90", 96", 108", 120"

Standard Finish: **PLT**, Optional Catalog Colors

Suffix Key

| | |
|------------|---------------------|
| PLT | - Platinum |
| U | - Uprite |
| UH | - Heavy Duty Uprite |

T-Leg Upright End Trim

One-piece trim snaps into first and last Upright or Extension Upright in a run

Product Options and Numbers

Example Part #: **CD412 8 PLT**

T-Leg Upright End Trim: **CD412**

Height: 48", 54", **60"**, 66", 72", 78", 84", 90", 96", 102", 108", 114", 120"

Standard Finish: **PLT**, Optional Catalog Colors

| T-Leg Upright End Trim | |
|------------------------|----------------|
| Part Number | Upright Height |
| CD4127 | 48" |
| CD4123 | 54" |
| CD4128 | 60" |
| CD4124 | 66" |
| CD4122 | 72" |
| CD41212 | 78" |
| CD4121 | 84" |
| CD41216 | 90" |
| CD41211 | 96" |
| CD41225 | 102" |
| CD41221 | 108" |
| CD41215 | 114" |
| CD41213 | 120" |

Suffix Key

PLT

- Platinum