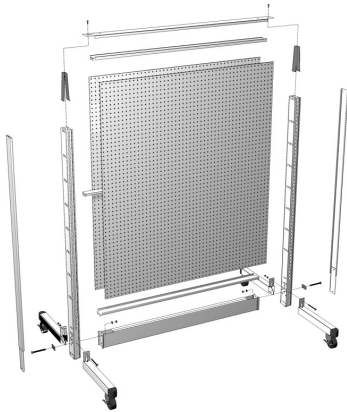


| You are in: Lozier > Products > Removable Caster T-Leg Island Section

Removable Caster T-Leg Island Section

Part Number:



Convert your Island Gondola into a mobile display.

Product Details:

- Converts Display Shelving Island into a mobile display
- Available run lengths up to 12' long (3' & 4' combinations)
- Consists of 2" sq. Tubular Legs with 3" diameter Caster

COMPONENTS

- Uprites
- T-Leg Uprite End Trims
- Top Rail
- Bottom Rail
- Center Rail
- Splicer Rail (if applicable)
- Backs
- Caster T-Leg Base Set (2-sided)

ORDERING INSTRUCTIONS

- Order desired number of island sections without base brackets, base fronts, decks, uprite end trim or base

end trim. (See Gondola System Section)

- Order 1 Caster T-Leg Base Set (2 sided) for each desired section.
- Order 1 upright, two same depth caster T-legs, and two CD412_ end trims to complete the run

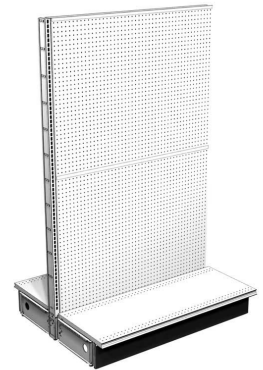
ISLAND	
Caster T-Leg Depth (Both Sides)	Max. Upright Height
13"	78"
16"	96"
19"	96"
22"	96"

How to Order

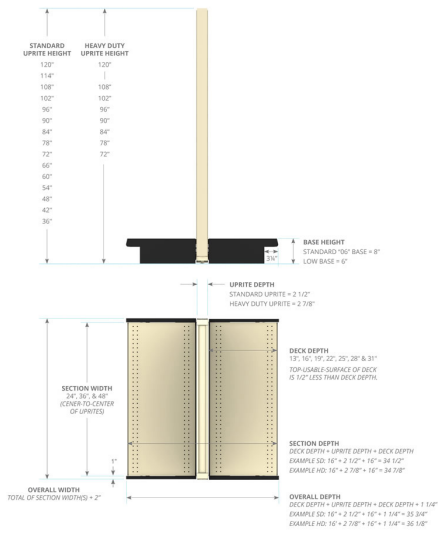
Island Section

INCLUDES

- 1 Upright
- 2 Base Brackets
- 2 Base Decks
- 2 Closed Base Fronts
- 1 Top Rail
- 1 Center Rail (2 on 96-144"H)
- 1 Bottom Rail
- 1 Splicer Rail (78"-144"H)
- Back Material



DIMENSIONS



BACK OPTIONS



Pegboard



Marteck



Peg Mirror



Peg Woodgrain



Woodgrain



Slotwall w/ Inserts



Slotwall



Econo Marteck

Product Options and Numbers

Example Part #: **IS 4 54 19 19 06 S T CBF CHR PLT PLT P PLT M PLT 5 N PLT S N PLT**

Island Section: IS

Section Width: 2', 3', 30", 4'

Height: 36", 42", 48", 54", 60", 66", 72", 78", 84", 90", 96", 108", 120"

Base Deck Depth, Side A: 13", 16", 19", 20", 22", 25", 28", 31" (13" not available in HD)

Base Deck Depth, Side B: 13", 16", 19", 20", 22", 25", 28", 31" (13" not available in HD)

Base Type: 06, LB

Spring Locking Base Bracket: S, HD (Includes HD Base Bracket and HD Upright)

Rail Type: T, Omit for regular rails (Not available in HD)

Base Front: CBF, OBF

Base Front Color: CHR

Upright Color: PLT, Optional Catalog Colors

Back Rail Color: PLT, Optional Catalog Colors

Back Material, Side A: P, M, S, SI, ME, W, PW, PM, NBR

Back Color, Side A: PLT, Optional Catalog Colors

Back Material, Side B: P, M, S, SI, ME, W, PW, PM, NBR

Back Color, Side B: PLT, Optional Catalog Colors

Deck, Side A: S, HDSD

Deck Molding, Side A: N, M13S, M55S, M35S, MR1S

Deck Color, Side B: PLT, Optional Catalog Colors

Deck, Side B: S, HDSD

Deck Molding, Side B: N, M13S, M55S, M35S, MR1S

Deck Color, Side B: PLT, Optional Catalog Colors

Suffix Key

06	- 06 Base (8"H)
LB	- Low Base (6"H)
T	- Telescopic Rails
CBF	- Closed Base Front

OBF	- Open Base Front
CHR	- Charcoal Black
PLT	- Platinum
S	- Standard Deck
HD	- Heavy Duty
HDSD	- Heavy Duty Deck

Back Options

P	- Pegboard
M	- Marteck
S	- Slotwall
SI	- Slotwall with Inserts
ME	- Econo Marteck
W	- Woodgrain
PW	- Peg Woodgrain
PM	- Peg Mirror
NBR	- No Backs or Rails

Moldings

N	- No Molding
M13S	- M13 Satin Molding
M55S	- M55 Satin Molding
M35S	- M35 Satin Molding
MR1S	- MR1 Satin Molding

T-Leg Caster Base Set (2-Sided)

- Converts Display Shelving Island into a mobile display
- Available run lengths up to 12' long (3' & 4' combinations)
- 2" sq. Tubular Legs with 3" diameter Caster



INCLUDES



- 2 Caster T-Legs
- 1 Lower Spanner
- 1 Top Stabilizer

Product Options and Numbers

T-Leg Caster Base Set (2 Sided)

Section Width:36", 48"

T-Leg Depth:13", 16", 19",22"

Lower Spanner and Top Stabilizer Standard Finish:PLT,Optional Catalog Colors

Leg Standard Finish:PLT, Optional Catalog Colors

Black Plastic Cap:XH5

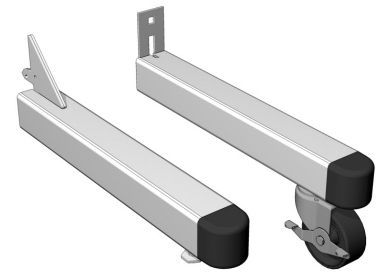
Suffix Key	
------------	--

- PLT - Platinum
- XH5 - Black Plastic Cap

ISLAND	
Caster T-Leg Depth (Both Sides)	Max. Upright Height
13"	78"
16"	96"
19"	96"
22"	96"

Removable T-Leg

- Available in Leveler or Caster (2 sided only)
- Available in No Deck or Deck option
- Tubular legs 2" square install on standard Lozier uprite



Wall Run (Leveler Sections Only)	
T-Leg Depth	Max. Upright Height
13"	66"
16"	84"
19"	96"
22"	120"

Island (Leveler or Caster Sections)	
Caster T-Leg Depth (Both Sides)	Max. Upright Height
13"	78"
16"	96"
19"	96"
22"	96"

For Islands, any combination of Leveler T-Legs can be used with any Lozier Upright.

Product Options and Numbers

Removable T-Leg

Type: TLEG

Depth: 13", 16", 19", 22"

Style: Caster, Leveler

Leg Finish: PLT, Optional Catalog Colors

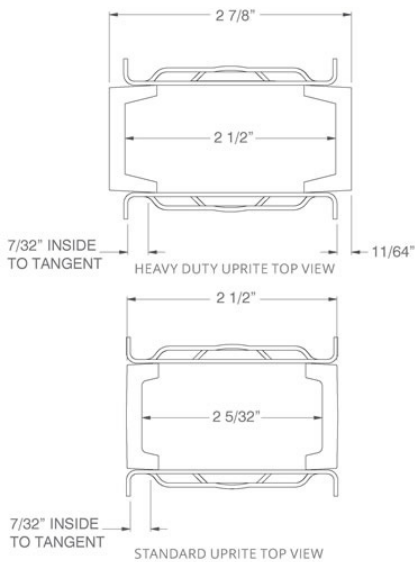
Cap Finish: XH5

Suffix Key

PLT - Platinum
XH5 - Black Plastic Cap

Uprites

- 3/16" thick face channel
- 1" slotted on center for maximum flexibility
- Use for Wall and Island Sections
- Steel welded construction
- Includes side flanges to retain Back material, leveling leg for uneven floors
- Includes Top Caps on Uprites 36"-66"H



Product Options and Numbers

Example Part #: **U 42 PLT**

Uprite: **U**, UH

U Height: 30", 36", **42"**, 48", 54", 60", 66", 72", 78", 84", 90", 96", 102", 108", 114", 120"

UH Height: 72", 78", 84", 90", 96", 108", 120"

Standard Finish: **PLT**, Optional Catalog Colors

Suffix Key

PLT	- Platinum
U	- Uprite
UH	- Heavy Duty Uprite

T-Leg Uprite End Trim

One-piece trim snaps into first and last Uprite or Extension Uprite in a run

Product Options and Numbers

Example Part #: **CD412 8 PLT**

T-Leg Uprite End Trim: **CD412**

Height: 48", 54", **60"**, 66", 72", 78", 84", 90", 96", 102", 108", 114", 120"

Standard Finish: **PLT**, Optional Catalog Colors



T-Leg Uprite End Trim	
Part Number	Uprite Height
CD4127	48"
CD4123	54"
CD4128	60"
CD4124	66"
CD4122	72"
CD41212	78"
CD4121	84"
CD41216	90"
CD41211	96"
CD41225	102"
CD41221	108"
CD41215	114"

CD41213	120"
---------	------

Suffix Key

PLT

- Platinum