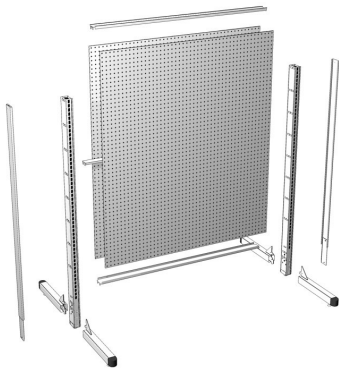


| You are in: Lozier > Products > Removable Leveler T-Leg Sections

# Removable Leveler T-Leg Sections

Part Number:



## Product Details:

- Converts Display Shelving Wall or Island into a no-deck unit
- Installs on any length Wall or Island run
- Consists of 2" sq. tubular T-Leg with leveler

## COMPONENTS

- Uprites
- T-Leg Uprite End Trims
- Top Rail
- Bottom Rail
- Center Rail
- Splicer Rail (if applicable)
- Removable Leveler T-Legs
- Backs

## ORDERING INSTRUCTIONS

- Order desired number of Wall or Island Sections without base brackets, base fronts, decks, base end trims or uprite end trims. Order 1 extra uprite to finish off the run. (see Gondola System section for gondola components) Add one Leveler T-Leg for each wall and two for each island section. Also, order one or two additional respectively for end of run.
- Order two T-Leg uprite end trims

Wall Run

| <b>T-Leg Depth</b> | <b>Max. Upright Height</b> |
|--------------------|----------------------------|
| 13"                | 66"                        |
| 16"                | 84"                        |
| 19"                | 96"                        |
| 22"                | 120"                       |

For Islands, any combination of Leveler T-Legs can be used with any Lozier Upright.

## How to Order

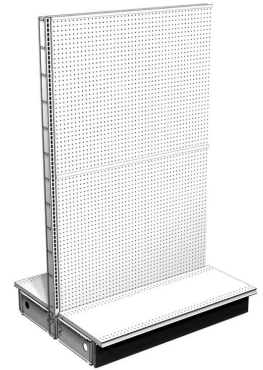
---

## Island Section

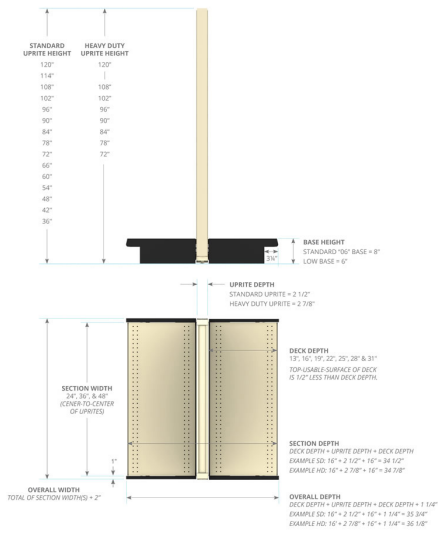
---

### INCLUDES

- 1 Upright
- 2 Base Brackets
- 2 Base Decks
- 2 Closed Base Fronts
- 1 Top Rail
- 1 Center Rail (2 on 96-144"H)
- 1 Bottom Rail
- 1 Splicer Rail (78"-144"H)
- Back Material



### DIMENSIONS



## BACK OPTIONS



Pegboard



Marteck



Peg Mirror



Peg Woodgrain



Woodgrain



Slotwall w/ Inserts



Slotwall



Econo Marteck

## Product Options and Numbers

Example Part #: **IS 4 54 19 19 06 S T CBF CHR PLT PLT P PLT M PLT 5 N PLT S N PLT**

**Island Section: IS**

**Section Width:** 2', 3', 30", 4'

**Height:** 36", 42", 48", 54", 60", 66", 72", 78", 84", 90", 96", 108", 120"

**Base Deck Depth, Side A:** 13", 16", 19", 20", 22", 25", 28", 31" (13" not available in HD)

**Base Deck Depth, Side B:** 13", 16", 19", 20", 22", 25", 28", 31" (13" not available in HD)

**Base Type:** 06, LB

**Spring Locking Base Bracket:** S, HD (Includes HD Base Bracket and HD Upright)

**Rail Type:** T, Omit for regular rails (Not available in HD)

**Base Front:** CBF, OBF

**Base Front Color:** CHR

**Upright Color:** PLT, Optional Catalog Colors

**Back Rail Color:** PLT, Optional Catalog Colors

**Back Material, Side A:** P, M, S, SI, ME, W, PW, PM, NBR

**Back Color, Side A:** PLT, Optional Catalog Colors

**Back Material, Side B:** P, M, S, SI, ME, W, PW, PM, NBR

**Back Color, Side B:** PLT, Optional Catalog Colors

**Deck, Side A:** S, HDSD

**Deck Molding, Side A:** N, M13S, M55S, M35S, MR1S

**Deck Color, Side B:** PLT, Optional Catalog Colors

**Deck, Side B:** S, HDSD

**Deck Molding, Side B:** N, M13S, M55S, M35S, MR1S

**Deck Color, Side B:** PLT, Optional Catalog Colors

**Suffix Key**

|            |                     |
|------------|---------------------|
| <b>06</b>  | - 06 Base (8"H)     |
| <b>LB</b>  | - Low Base (6"H)    |
| <b>T</b>   | - Telescopic Rails  |
| <b>CBF</b> | - Closed Base Front |

|             |                   |
|-------------|-------------------|
| <b>OBF</b>  | - Open Base Front |
| <b>CHR</b>  | - Charcoal Black  |
| <b>PLT</b>  | - Platinum        |
| <b>S</b>    | - Standard Deck   |
| <b>HD</b>   | - Heavy Duty      |
| <b>HDSD</b> | - Heavy Duty Deck |

#### Back Options

|            |                         |
|------------|-------------------------|
| <b>P</b>   | - Pegboard              |
| <b>M</b>   | - Marteck               |
| <b>S</b>   | - Slotwall              |
| <b>SI</b>  | - Slotwall with Inserts |
| <b>ME</b>  | - Econo Marteck         |
| <b>W</b>   | - Woodgrain             |
| <b>PW</b>  | - Peg Woodgrain         |
| <b>PM</b>  | - Peg Mirror            |
| <b>NBR</b> | - No Backs or Rails     |

#### Moldings

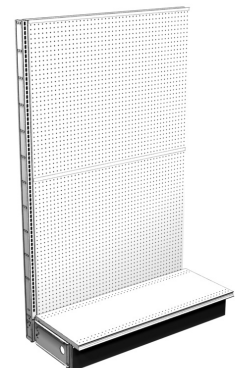
|             |                     |
|-------------|---------------------|
| <b>N</b>    | - No Molding        |
| <b>M13S</b> | - M13 Satin Molding |
| <b>M55S</b> | - M55 Satin Molding |
| <b>M35S</b> | - M35 Satin Molding |
| <b>MR1S</b> | - MR1 Satin Molding |

## Wall Section

---

### INCLUDES

- 1 Upright
- 1 Base Brackets
- 1 Base Decks
- 1 Closed Base Fronts
- 1 Top Rail
- 1 Center Rail (2 on 96-144"H)
- 1 Bottom Rail
- 1 Splicer Rail (78"-144"H)



- Back Material

## Product Options and Numbers

Example Part #: **WS 4 54 19 06 S CBF CHR PLT PLT P PLT S N PLT**

**Wall Section:** **WS**

**Section Width:** 2', 3', **4'**

**Height:** 36", 42", 48", **54"**, 60", 66", 72", 78", 84", 90", 96", 102", 108", 114", 120"

**Base Deck Depth:** 13", 16', **19"**, 20", 22", 25", 28", 31" (13" Not available in HD)

**Base Type:** **06**, LB

**Spring Locking Base Bracket:** **S**,HD (Includes HD Base Bracket and HD Uprite)

**Rail Type:** T, **Omit**for regular rails (Not available in HD)

**Base Front:** **CBF**, OBF

**Base Front Color:** **CHR**

**Uprite Color:** **PLT**, Optional Catalog Colors

**Back Rail Color:** **PLT**, Optional Catalog Colors

**Back Material:** **P**, M, S, SI, ME, W, PW, PM, NBR

**Back Color:** **PLT**, Optional Catalog Colors

**Deck Type:** **S**,HDSD

**Deck Molding:** **N**, M13S, M55S, M35S, MR1S

**Deck Color:** **PLT**, Optional Catalog Colors

### Suffix Key

|            |                     |
|------------|---------------------|
| <b>06</b>  | - 06 Base (8"H)     |
| <b>LB</b>  | - Low Base (6"H)    |
| <b>T</b>   | - Telescopic Rails  |
| <b>CBF</b> | - Closed Base Front |
| <b>OBF</b> | - Open Base Front   |
| <b>CHR</b> | - Charcoal Black    |
| <b>PLT</b> | - Platinum          |

- S** - Standard Deck
- HD** - Heavy Duty
- HDSD** - Heavy Duty Deck

### Back Options

- P** - Pegboard
- M** - Marteck
- S** - Slotwall
- SI** - Slotwall with Inserts
- ME** - Econo Marteck
- W** - Woodgrain
- PW** - Peg Woodgrain
- PM** - Peg Mirror
- NBR** - No Backs or Rails

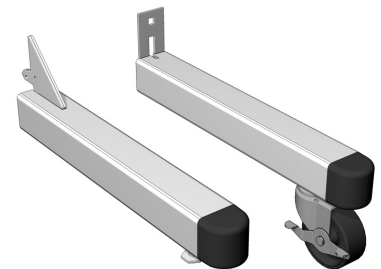
### Moldings

- N** - No Molding
- M13S** - M13 Satin Molding
- M55S** - M55 Satin Molding
- M35S** - M35 Satin Molding
- MR1S** - MR1 Satin Molding

## Removable T-Leg

---

- Available in Leveler or Caster (2 sided only)
- Available in No Deck or Deck option
- Tubular legs 2" square install on standard Lozier uprite



| Wall Run (Leveler Sections Only) |                     |
|----------------------------------|---------------------|
| T-Leg Depth                      | Max. Upright Height |
| 13"                              | 66"                 |
| 16"                              | 84"                 |
| 19"                              | 96"                 |
| 22"                              | 120"                |

| Island (Leveler or Caster Sections) |                       |
|-------------------------------------|-----------------------|
| Caster T-Leg Depth<br>(Both Sides)  | Max. Uprite<br>Height |
| 13"                                 | 78"                   |
| 16"                                 | 96"                   |
| 19"                                 | 96"                   |
| 22"                                 | 96"                   |

For Islands, any combination of Leveler T-Legs can be used with any Lozier Uprite.

## Product Options and Numbers

### Removable T-Leg

**Type:**TLEG

**Depth:** 13", 16", 19", 22"

**Style:** Caster, Leveler

**Leg Finish:**PLT, Optional Catalog Colors

**Cap Finish:**XH5

### Suffix Key

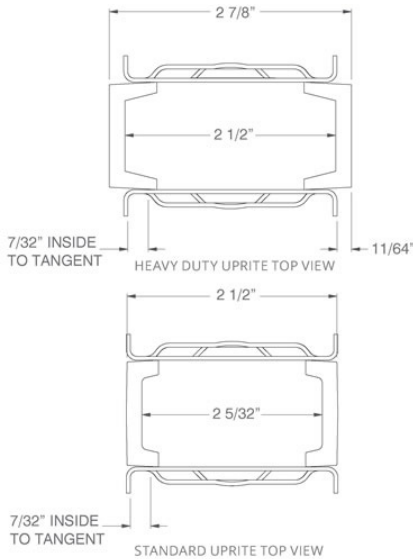
|     |                     |
|-----|---------------------|
| PLT | - Platinum          |
| XH5 | - Black Plastic Cap |

## Uprites

---



- 3/16" thick face channel
- 1" slotted on center for maximum flexibility
- Use for Wall and Island Sections
- Steel welded construction
- Includes side flanges to retain Back material, leveling leg for uneven floors
- Includes Top Caps on Uprites 36"-66"H



## Product Options and Numbers

Example Part #: **U 42 PLT**

**Uprite:** U, UH

**U Height:** 30", 36", **42"**, 48", 54", 60", 66", 72", 78", 84", 90", 96", 102", 108", 114", 120"

**UH Height:** 72", 78", 84", 90", 96", 108", 120"

**Standard Finish:** **PLT**, Optional Catalog Colors

### Suffix Key

|            |                     |
|------------|---------------------|
| <b>PLT</b> | - Platinum          |
| <b>U</b>   | - Uprite            |
| <b>UH</b>  | - Heavy Duty Uprite |

## T-Leg Upright End Trim

---

One-piece trim snaps into first and last Upright or Extension Upright in a run

### Product Options and Numbers

Example Part #: **CD412 8 PLT**

T-Leg Upright End Trim: **CD412**

Height: 48", 54", **60"**, 66", 72", 78", 84", 90", 96", 102", 108", 114", 120"

Standard Finish: **PLT**, Optional Catalog Colors

| T-Leg Upright End Trim |                |
|------------------------|----------------|
| Part Number            | Upright Height |
| CD4127                 | 48"            |
| CD4123                 | 54"            |
| CD4128                 | 60"            |
| CD4124                 | 66"            |
| CD4122                 | 72"            |
| CD41212                | 78"            |
| CD4121                 | 84"            |
| CD41216                | 90"            |
| CD41211                | 96"            |
| CD41225                | 102"           |
| CD41221                | 108"           |
| CD41215                | 114"           |
| CD41213                | 120"           |

### Suffix Key

**PLT**

- Platinum

