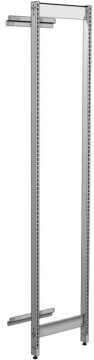


| You are in: Lozier > Products > Flex Rx Storage System End Frame Assembly

Flex Rx Storage System End Frame Assembly

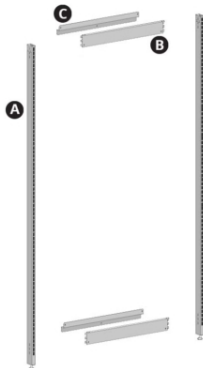
Part Number:



Product Details:

- Attaches to end of Flex Rx island run
- Converts end into 16" wide section

How to Order



COMPONENTS (ORDER SEPARATELY):

A - Flex Rx End Frame Upright (2 required)

B

- Flex Rx Stretcher, 16" wide (2 required)
- C- Flex Rx End Frame Hardware (1 required)

Flex Rx Storage System End Frame Uprite

- (2) Uprites required for each End Frame Assembly

Product Options and Numbers

Part #: **FRXU 84 WHT**

Flex Rx End Frame Uprite: **FRXU**

Height: **84**

Standard Finish: **WHT**



Suffix Key	
WHT	- White

Flex Rx Storage System Stretchers

- Placed at top and bottom of each section to join Uprites
- Snap in design

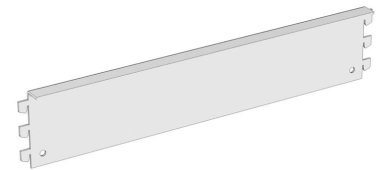
Product Options and Numbers

Example Part #: **FRXST 16 WHT**

Flex Rx Stretcher: **FRXST**

Width: **16"**, 32", 36", 48"

Standard Finish: **WHT**



Suffix Key	
------------	--

WHT

- White

Flex Rx Storage System End Frame Hardware

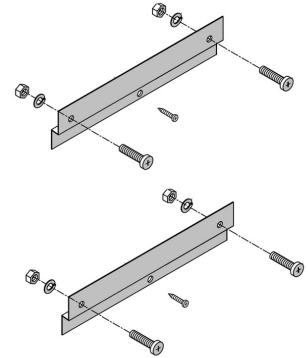
- (1) pack required for each End Frame Assembly.

Product Options and Numbers

Part #: [FRXEFHDWE](#) [WHT](#)

Flex Rx End Frame Hardware: [FRXEFHDWE](#)

Standard Finish: [WHT](#)



Suffix Key

WHT

- White