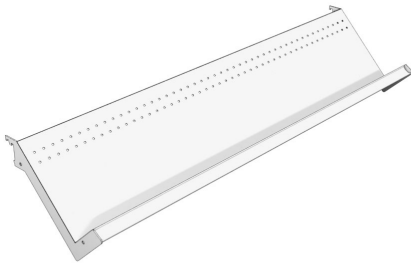


| You are in: Lozier > Products > Downslant Shelf

Downslant Shelf

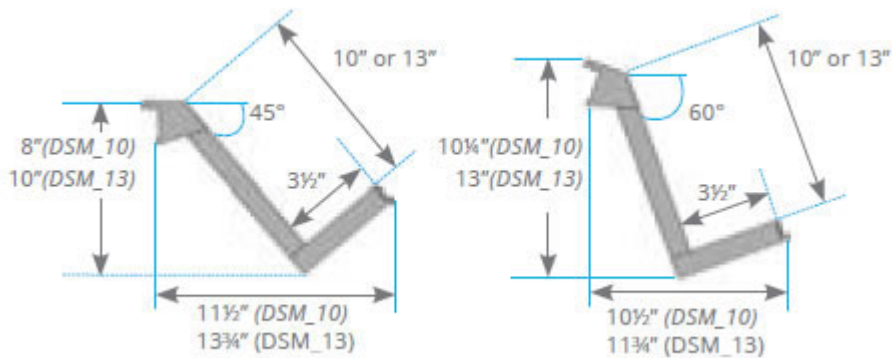
Part Number: **DSM**



The Downslant Shelf is ideal for displaying products at an angle.

Product Details:

- Angular adjustment: 45° or 62°
- Evenly distributed load of 150 lbs



Product Options and Numbers

Example Part #: **DSM 3 10 M PLT**

Downslant Shelf: DSM

Width: 3', 4'

Depth: 10", 13"

No Molding: M

Standard Finish: PLT, Optional Catalog Colors

Suffix Key	
PLT	- Platinum