

PALLET RACK SYSTEM



OVERVIEW

Lozier's Pallet Rack System provides great options for both front and back room applications. Through our efforts to continually improve our products, Lozier has made some important updates to the Pallet Rack System.

The new Pallet Rack System is more compatible with other products in the industry. This means more flexibility moving forward, as well as transitioning out of older Lozier Pallet Rack.

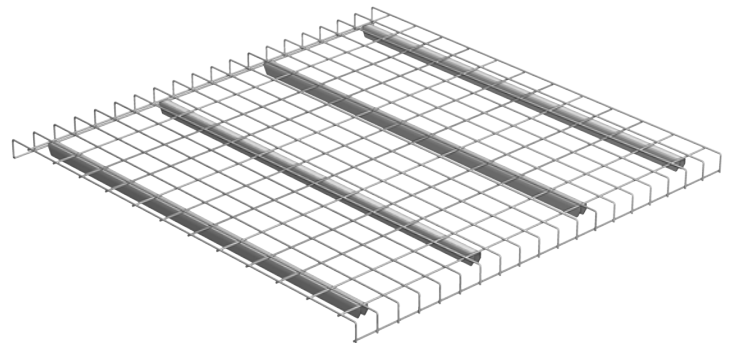
NEW FEATURES

- Updated design
 - Beams, Shelf Supports, Pallet Supports, Upright Slotting, and accessories
- Consolidated production
- Standard finish change
- Expanded size offerings
- New catalog offerings
 - Heavy Duty Upright, Waterfall Wire Decking, Floor Beam, Safety Clip, and J-Pins

NEW WATERFALL WIRE SHELF

The new **Waterfall Wire Shelf** provides light penetration and allows water flow through for sprinklers and overall cleanliness.

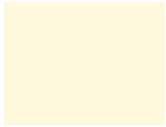
- Available in medium and heavy duty
- Supports welded in place
- Alternative to flat wire with shelf supports
- Available in Painted Gray, Galvanized (pre zinc wire), and Hot Dipped Galvanized (for freezer and outdoor applications)



PALLET RACK SYSTEM

COLOR

- Standard color has changed from Platinum to Gray



OLD (Platinum- PLT)



NEW (Gray - QQ2)

BEAM

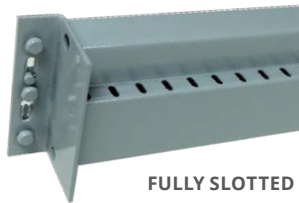
- Shape has changed from a two-piece clamshell design to a one-piece roll formed body
- Step depth changed from 7/8" to 1 5/8" (deep step)
- Fully slotted for placement of shelf supports
- Now offering 3.5" and 4.5" beams from 45" - 144"
- New Tear Drop Beam capacity is equal to or greater than the previous design. See catalog or installation instructions for more details.



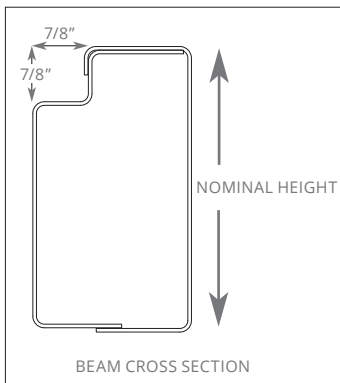
OLD



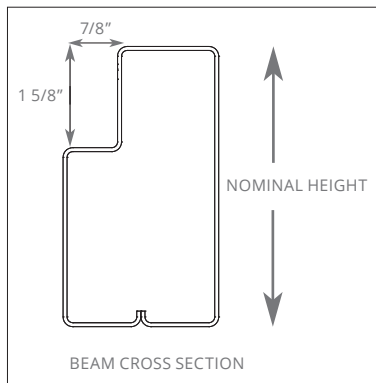
NEW



FULLY SLOTTED



OLD



NEW

UPRITES

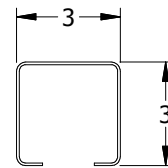
- Tear Drop slotting altered to allow for maximum compatibility with Lozier beams and others in the industry
- Standard and heavy duty now available



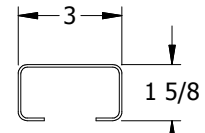
OLD



NEW



HEAVY DUTY
TOP PROFILE



STANDARD DUTY
TOP PROFILE

SHELF SUPPORTS

- Updated from an I-beam to U-shaped design to maintain consistency with the marketplace



OLD



NEW

- Regular duty depth 24-48"
- Heavy duty depth 24-70"
- High volume regular duty supports are value engineered to align with flat wire and flat wood shelf insert load capacities
- Low volume heavy duty supports are available for unique applications requiring higher load capacities. See catalog or installation instructions for more details.