

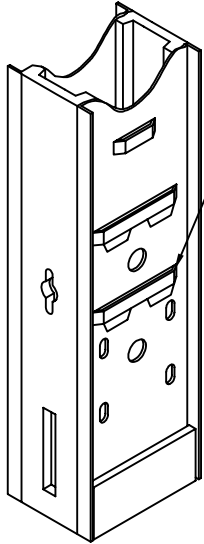
INSTALLATION INSTRUCTIONS

BOTTOM RAIL ADAPTER FOR "BE" BACK PANELS

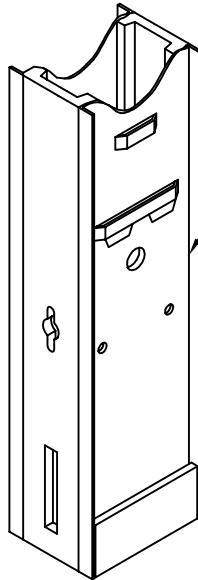
REFERENCE: BASIC INSTALLATION INSTRUCTION 01-13.

WARNING! OBSERVE ALL SAFETY PRECAUTIONS AND ASSEMBLY INSTRUCTIONS IN THE BASIC SHELVING INSTALLATION INSTRUCTION, NUMBER 01-13.

The Bottom Rail Adapter enables the installation of BE-style back panels into uprites that do not have the bottom rail lance location required for a BE-style back. Do not use the adapter on uprites that have two lances at the bottom (See figure 1).



IF THERE IS A LANCE HERE, STOP.
YOU DO NOT NEED THE ADAPTER
ON THIS UPRITE.



IF THERE IS NO LANCE HERE
—PROCEED WITH INSTALLATION
STEP 1.

INSTALLATION INSTRUCTIONS

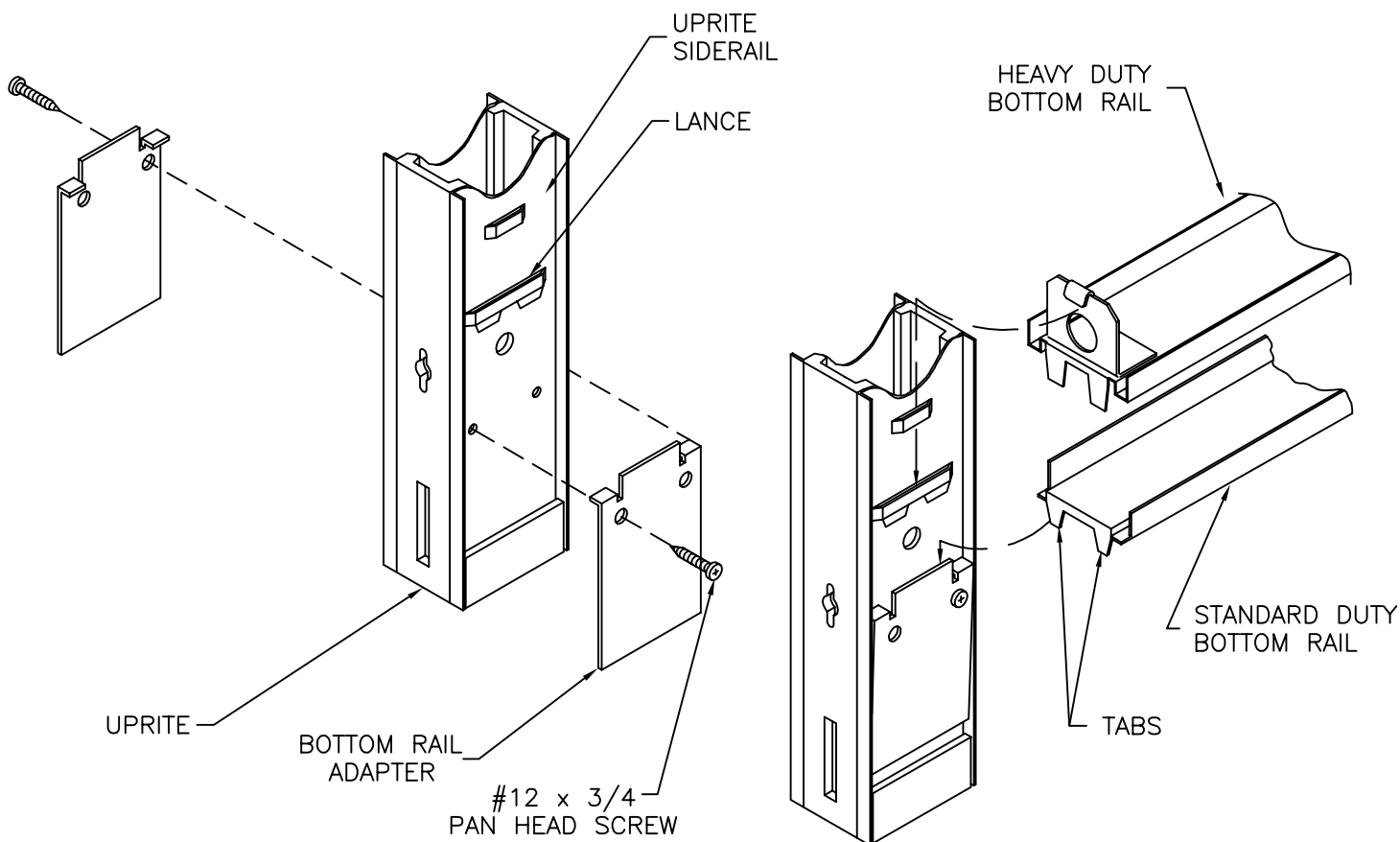
BOTTOM RAIL ADAPTER FOR "BE" BACK PANELS

- STEP 1:** The Adapter can be installed on the upright siderail before or after the gondola is assembled. For wall sections refer to step 5 before proceeding.
- STEP 2:** Position the Adapter between the upright siderail flanges, as shown, so that the hole in the Adapter lines up with the hole in the upright siderail.
- STEP 3:** Install one #12 screw and tighten. (Optional: Install two #12 screws – provided.)
- STEP 4:** Install the bottom rail into the Adapter. Make sure that the tabs on the bottom rail fit into the slots in the Adapter.

NOTE: STANDARD DUTY OR HEAVY DUTY BOTTOM RAILS MAY BE USED WITH THIS ADAPTER.

WARNING! IF YOU ARE INSTALLING ADAPTERS ON AN EXISTING GONDOLA, REMOVE ALL MERCHANDISE FROM BOTH SIDES. REMOVE DECKS, BACKS, AND BOTTOM RAILS. THE GONDOLA WILL BE LESS STABLE WITH THESE PARTS REMOVED. TO AVOID INJURY, (1) GET HELP TO STABILIZE THE SYSTEM AND (2) MINIMIZE THE NUMBER OF PARTS THAT ARE REMOVED AT ONE TIME.

WARNING! DO NOT EXCEED 150# MERCHANDISING LOAD PER BACK PANEL WITH STANDARD DUTY BOTTOM RAILS, OR 300# PER BACK PANEL WITH HEAVY DUTY BOTTOM RAILS.

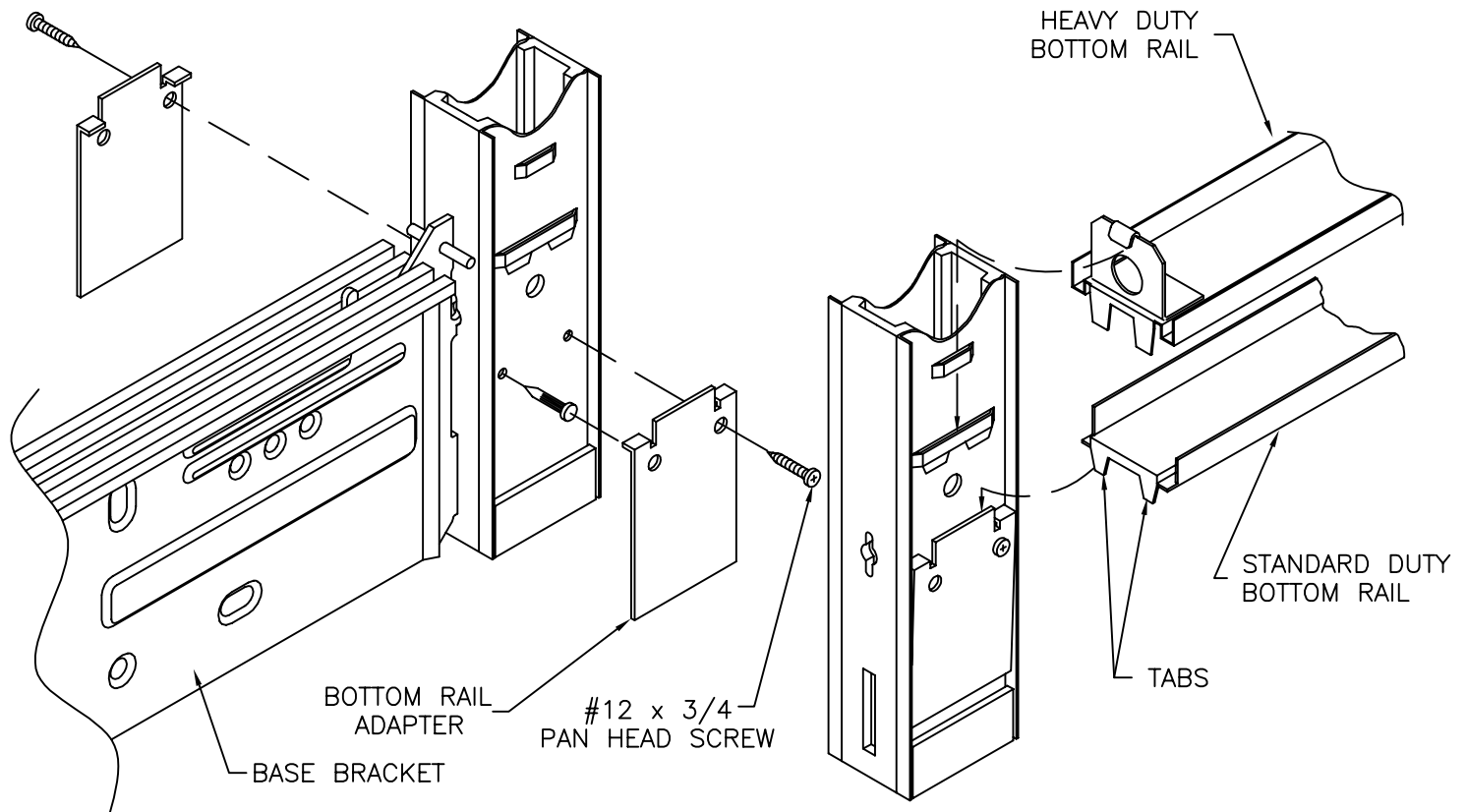


INSTALLATION INSTRUCTIONS

BOTTOM RAIL ADAPTER FOR "BE" BACK PANELS

STEP 5: If you have a wall section, shelf alignment pins (SAP) are required. Order those separately and install them in accordance with Installation Instruction 01-13, then install the Adapter as described above using one screw.

WARNING! DO NOT EXCEED 150# MERCHANDISING LOAD PER BACK PANEL WITH STANDARD DUTY BOTTOM RAILS, OR 300# PER BACK PANEL WITH HEAVY DUTY BOTTOM RAILS.



WALL SECTION