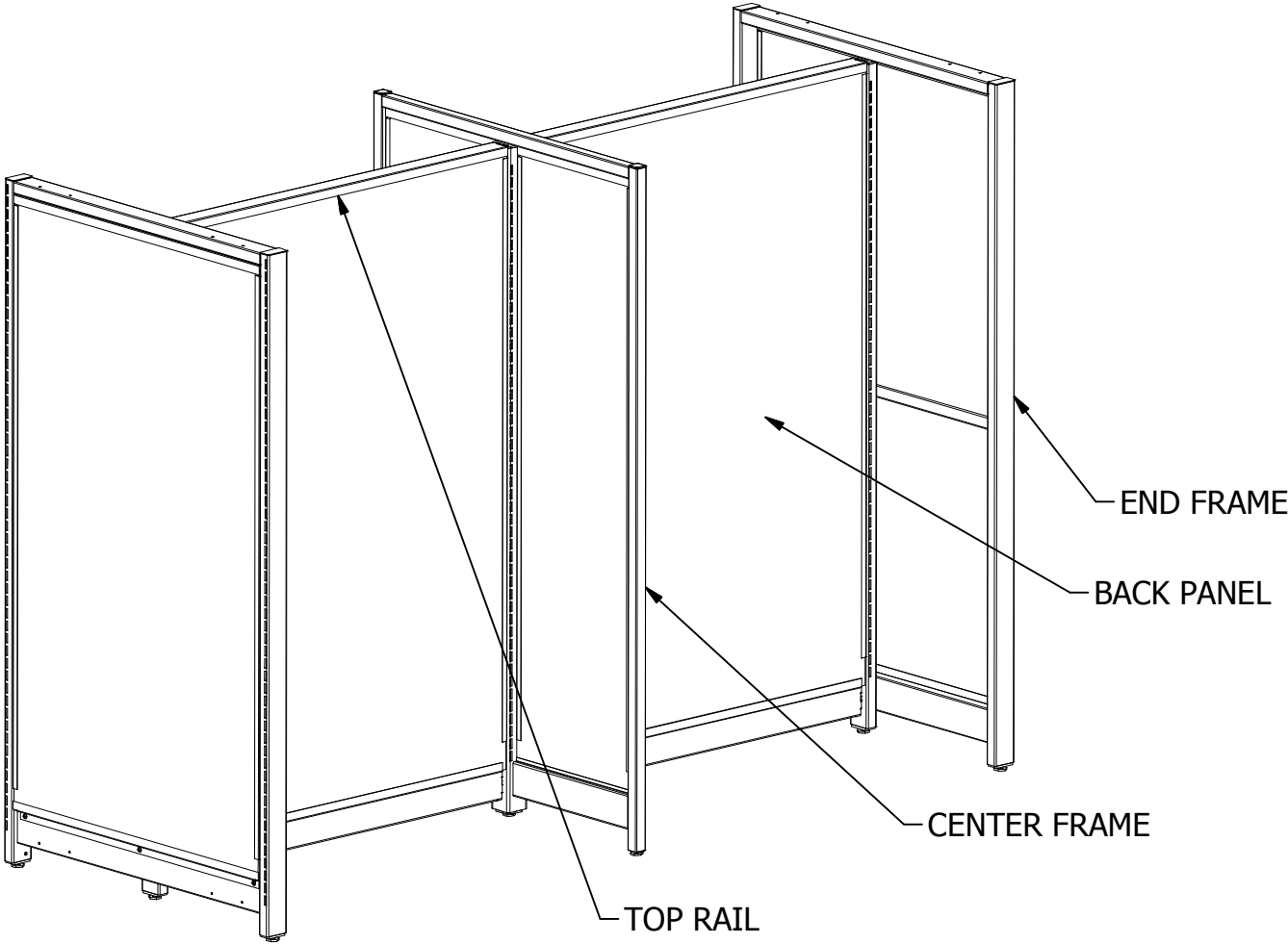


INSTALLATION INSTRUCTIONS

BOUTIQUE ISLAND AND WALL SECTIONS



WARNINGS

Install all shelving according to installation instructions and use components only as instructed. Shelving and components should only be installed or rearranged by trained personnel who have read and understand the instructions and warnings. Additional copies of the Installation Instructions are available upon request.

Do **not** exceed Allowable Load Limits. **This system is rated at 12,000 in/lbs unbalanced load.** The end frame is rated at either 750 lbs or 6,000 in/lbs.

Local codes and regulations concerning building, fire, sanitation, or seismic requirements may apply to some installations. It is the responsibility of the owner of the fixtures to check with local building authorities to determine what codes or regulations, if any, apply, and always install the shelving in compliance with any such requirements.

When installing or rearranging shelving, **never** move assembled shelving.

Never use damaged parts. Damaged parts may cause shelving to be structurally unsafe or create exposure to sharp or pointed edges. If parts were damaged in shipping, do not use and contact your Lozier Customer Service Representative. If parts are damaged after shipment, discontinue use immediately and order replacement parts.

To avoid store personnel or customers accidentally coming in contact with display fixtures, never allow any Shelf, Peg Hook, or other display to protrude into an aisle or to extend beyond the edge of the End Frame or Center Frame.

All End Frames intended for use with Shelves or accessories must include End Decks or other floor display to direct people away from the shelves or displays above the End Deck or other floor display.

Do **not** lean tall or heavy items against shelving unless shelving is anchored to a suitable building wall, to the floor, or otherwise braced to prevent overturning. The weight and force of leaning items on unanchored or unbraced shelving may cause the shelving to overturn or collapse.

Shelving (or racks) that are leaning or bending when loaded may indicate a dangerous overload or impending collapse. Loads should be immediately reduced, and the cause for this condition should be corrected, before reloading. Refer to appropriate installation instructions to assure shelving (or racks) are properly assembled, replace any damaged components or parts, and do not exceed recommended maximum loads or engage in any other unsafe use of the shelving (racks).

Provide safe access to all levels of storage and display shelving in accordance with applicable OSHA regulation. **Never** allow anyone to climb, walk, or stand on shelving. These shelves were not designed to withstand the extra weight and impact of climbing, walking and standing, and the added weight and impact of such actions may cause the fixture to collapse.

Never alter, modify or otherwise structurally change the shelving or any of its component parts. Modification or alteration may cause the shelving or component part to become structurally unsafe resulting in tipping, collapse or other failure of the fixture.

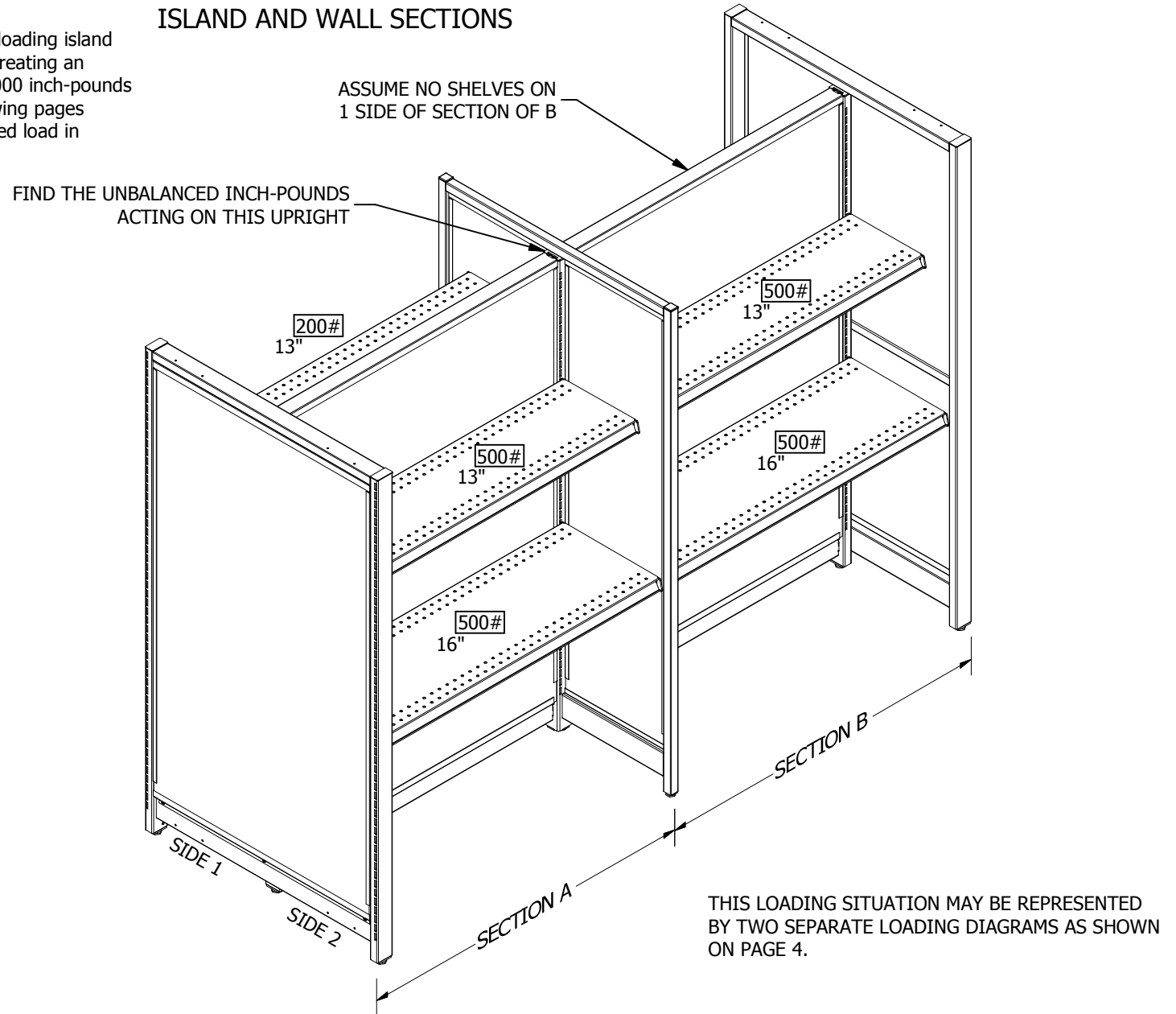
WARNING & LOAD CAPACITIES

INSTALLATION INSTRUCTIONS

BOUTIQUE ISLAND AND WALL SECTIONS

SAMPLE CALCULATION:

When heavily loading half shelving or loading/unloading island shelving, it is important to determine if you are creating an unbalanced load that exceeds the maximum 12,000 inch-pounds load rating. The sample calculation on the following pages illustrates how you can determine your unbalanced load in inch-pounds.

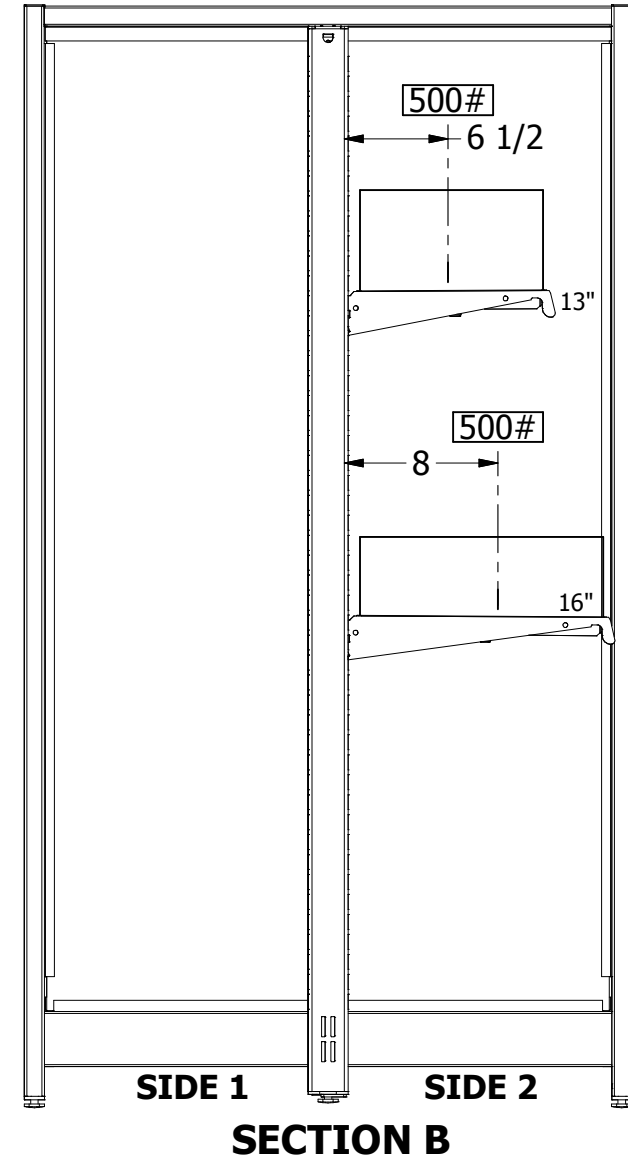
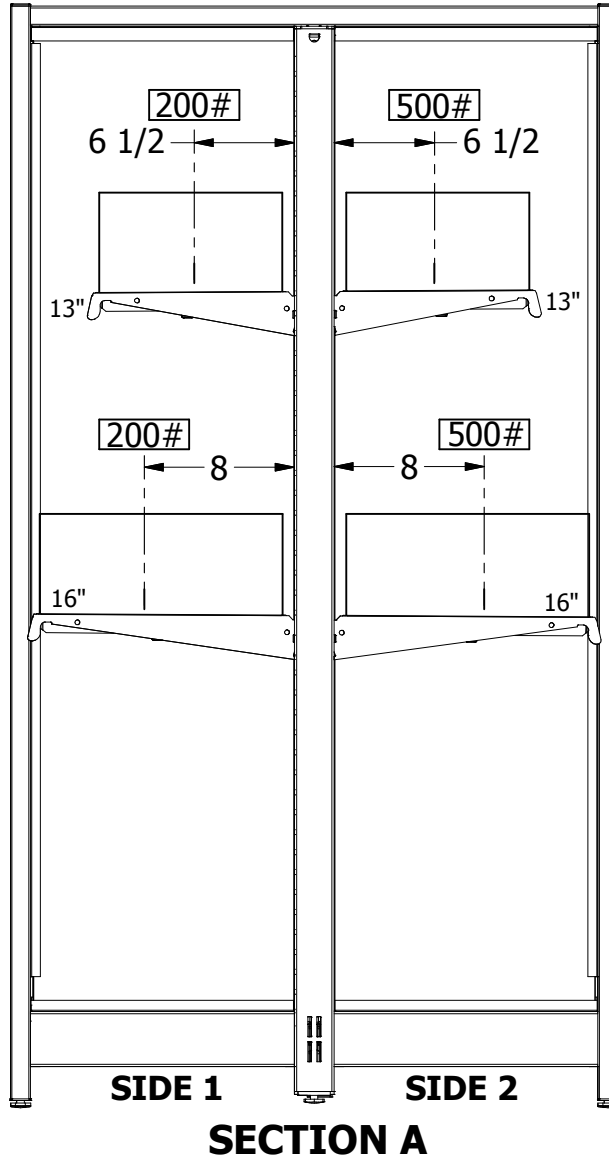


INSTALLATION INSTRUCTIONS

BOUTIQUE ISLAND AND WALL SECTIONS

NOTE:

Inch-pound are a measure of the shelf loads acting at a distance (1/2 shelf depth) from the upright



INSTALLATION INSTRUCTIONS

BOUTIQUE ISLAND AND WALL SECTIONS

NOTE:

Shelf depth is divided by 2 because an evenly distributed shelf load is calculated as a total load at center of shelf depth.

Shelf load is divided by be a shelf load is supported by two Uprights.

Procedure:

1. Look at load on all sections in a run and determine which has the greatest load.
2. In general the most heavily loaded section will also have the greatest unbalanced load.
3. In this example both sections A & B have the same load on side 2. However section B has much less load than section A on side 1. So section B has the greater unbalanced load.
4. Calculate Unbalanced load using following method for section B.

NOTE: " # indicates inch-pounds

	(Shelf depth ÷ 2) x (Shelf load ÷ 2)	SIDE 1	SIDE 2
SECTION A	6 1/2 x 100# =	650" #	
	8 x 100# =	800" #	
	6 1/2 x 250# =		1625" #
	8 x 250# =		2000" #
SECTION B	6 1/2 x 250# =		1625" #
	8 x 250# =		2000" #
TOTAL (Section A and B)		1,450" #	7,250" #

Subtract the smaller unbalance load from the larger: 7,250 inch-pounds
 $\underline{-1,450 \text{ inch-pounds}}$
 =5,800 inch-pounds

This is the total unbalanced load acting on the Upright and must never exceed 12,000 inch-pounds per Upright.

Half Upright Section Unbalanced Load Calculation:

The method used to determine the unbalanced inch-pounds on a Half Upright section is the same as the method shown for a Full Upright section. Simply consider the side without shelves having a load of zero.

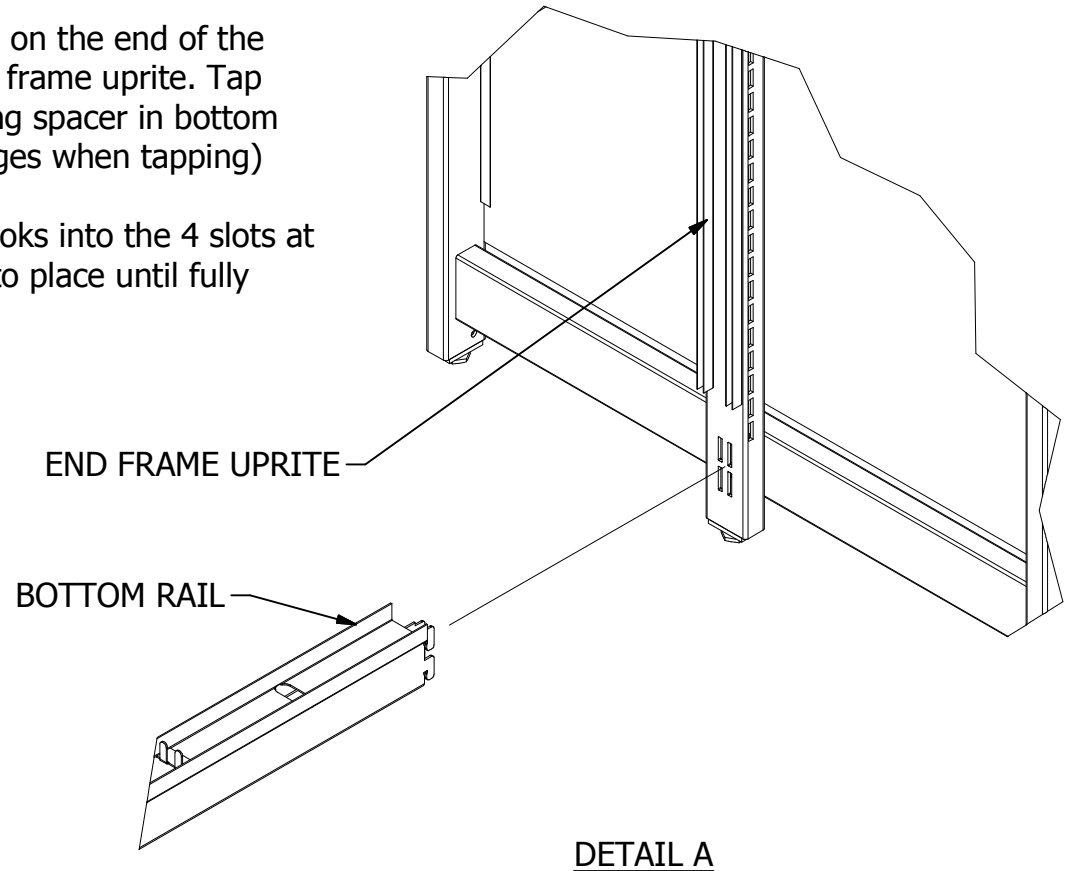
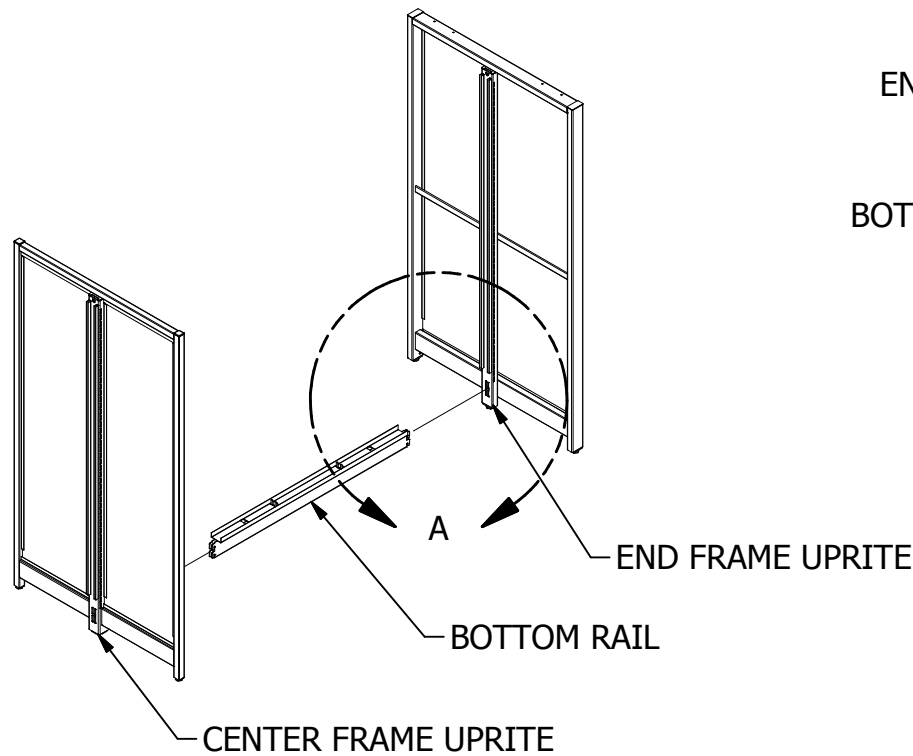


INSTALLATION INSTRUCTIONS

BOUTIQUE ISLAND SECTION

STEP 1: Stand end frame up at desired location. Place hooks on the end of the bottom rail into the 4 slots at the bottom of the end frame uprite. Tap down into place until fully seated. (Recommend using spacer in bottom channel, such as 2 x 4, to keep from damaging flanges when tapping)

STEP 2: Stand center frame up and install the bottom rail hooks into the 4 slots at the bottom of the center frame uprite. Tap down into place until fully seated.



INSTALLATION INSTRUCTIONS

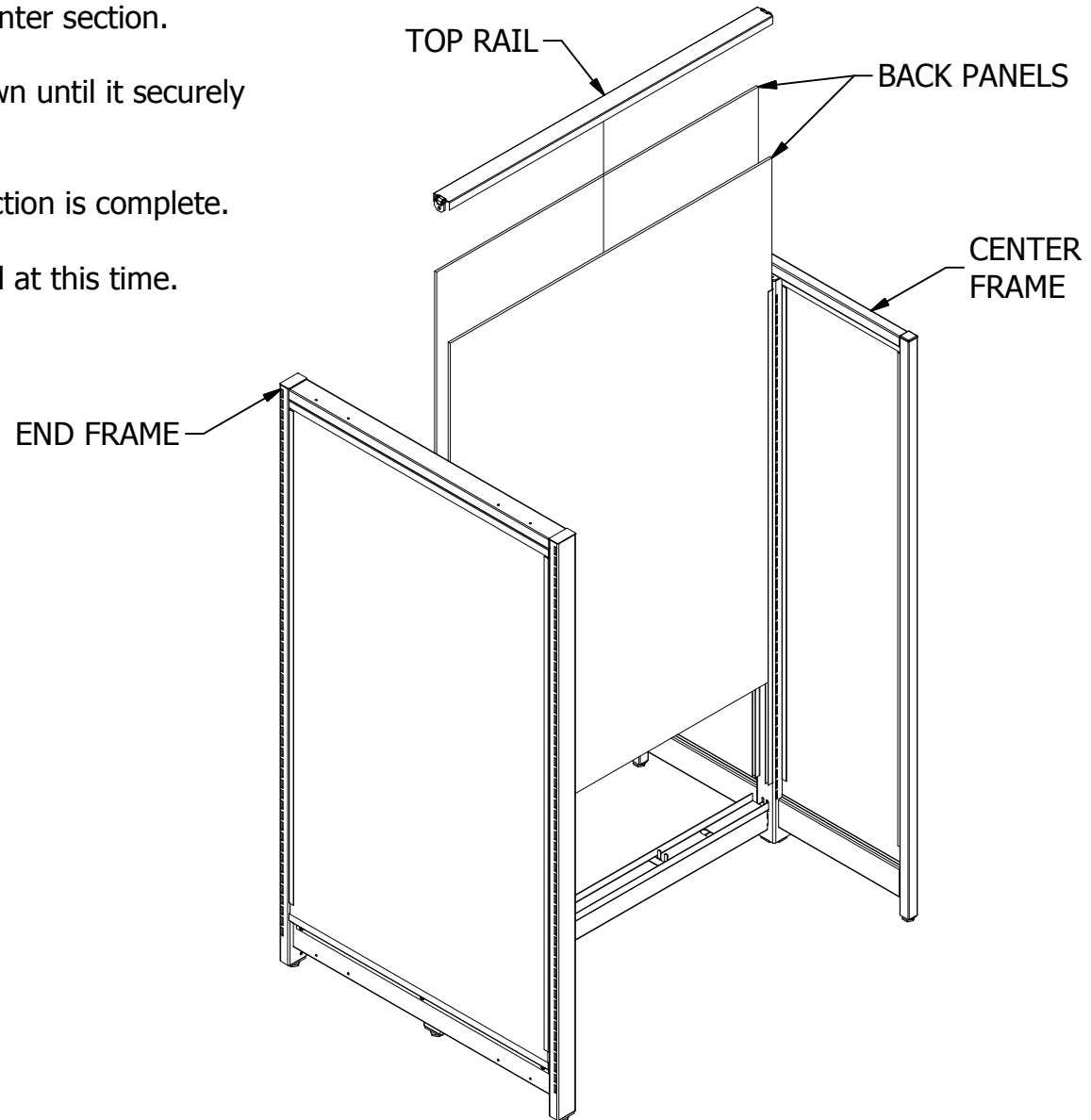
BOUTIQUE ISLAND SECTION

STEP 3: Install required back panels into center section.

STEP 4: Install top rail at this time. Tap down until it securely locks into place.

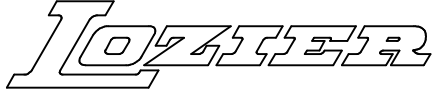
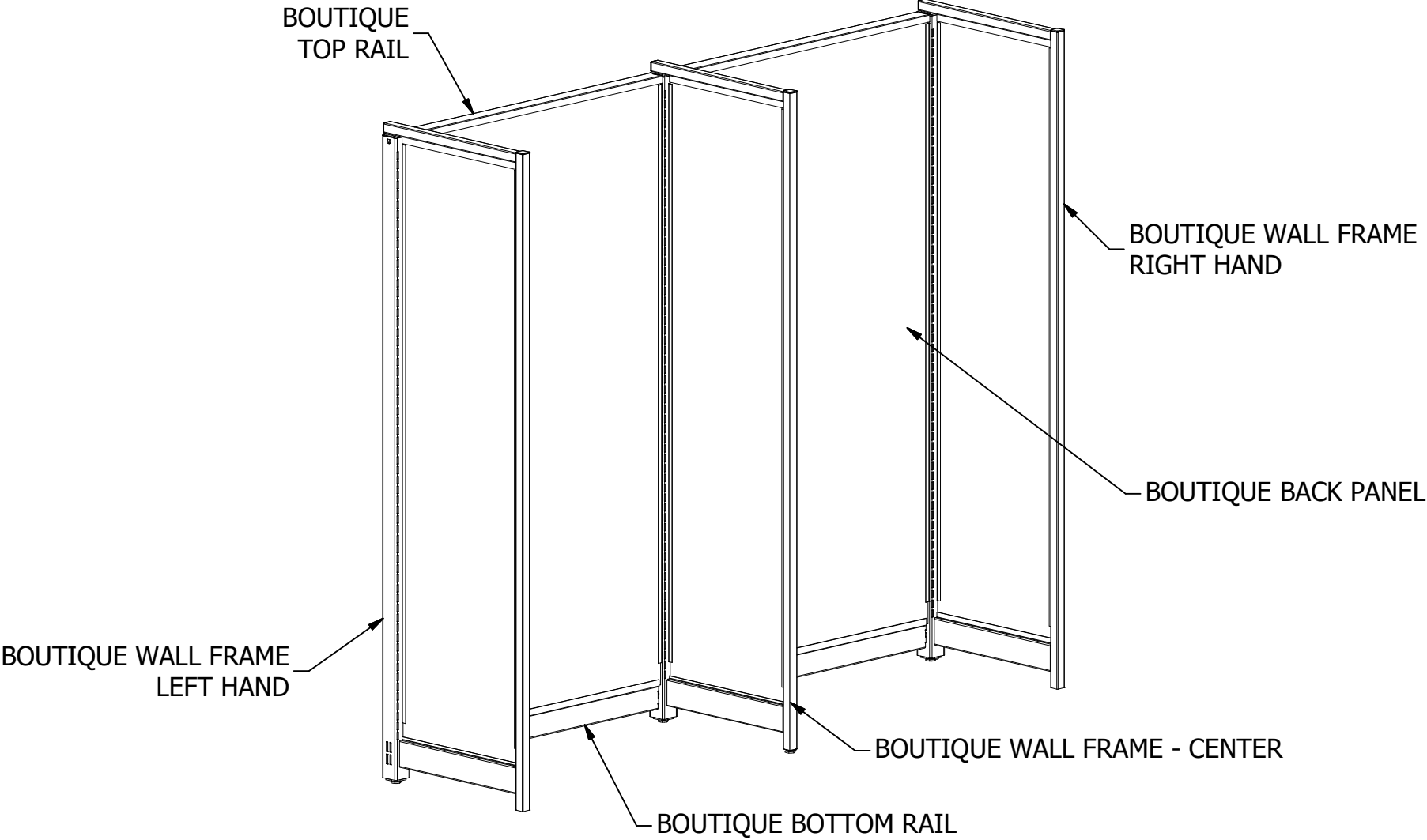
STEP 5: Continue with above steps until section is complete.

STEP 6: Plumb and level system as required at this time.



INSTALLATION INSTRUCTIONS

BOUTIQUE WALL SECTION



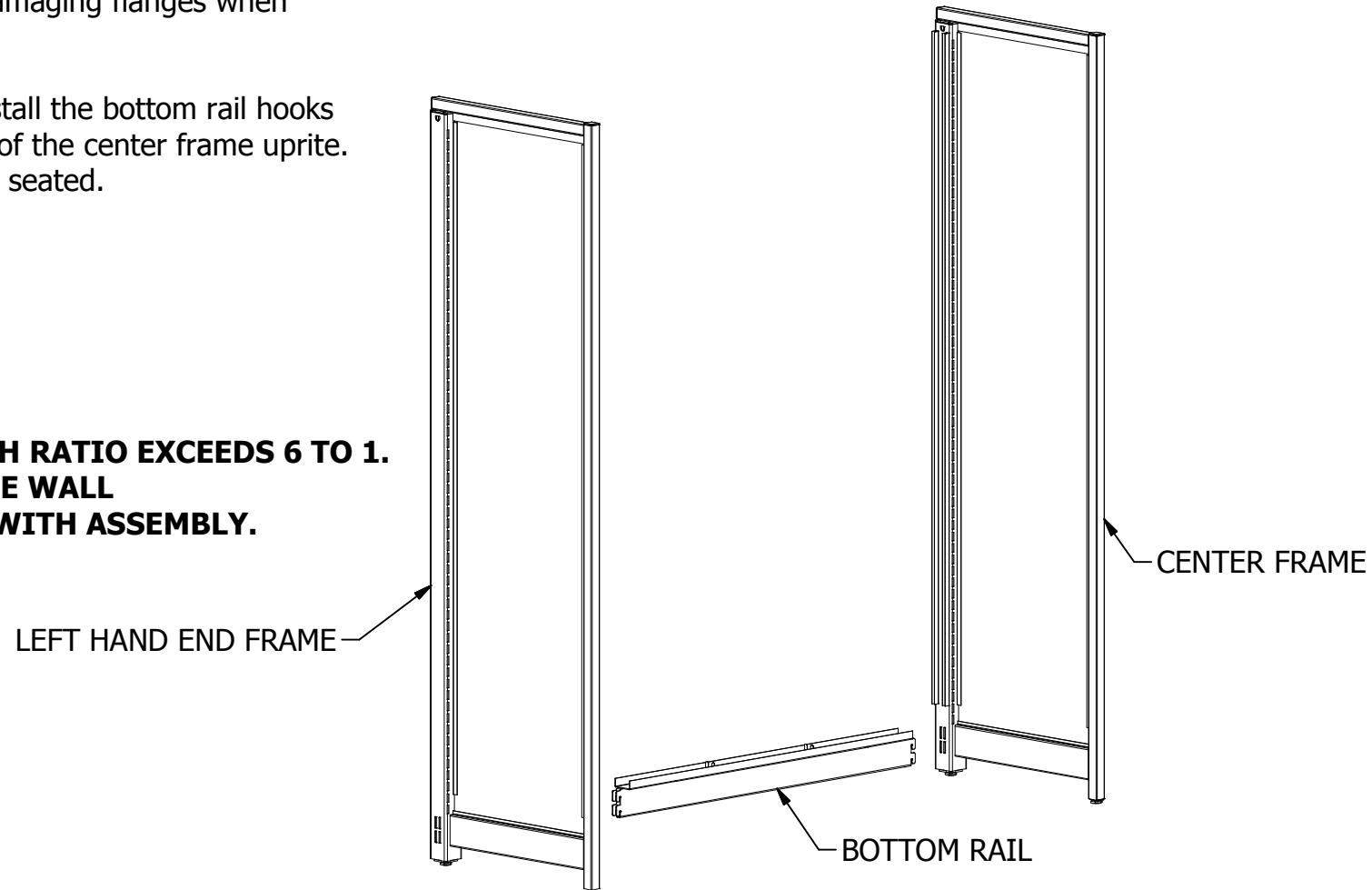
INSTALLATION INSTRUCTIONS

BOUTIQUE WALL SECTION

STEP 1: Stand end frame up at desired location. Place hooks on the end of the bottom rail into the 4 slots at the bottom of the end frame upright. Tap down into place until fully seated. (Recommend using spacer in bottom channel, such as 2 x 4, to keep from damaging flanges when tapping)

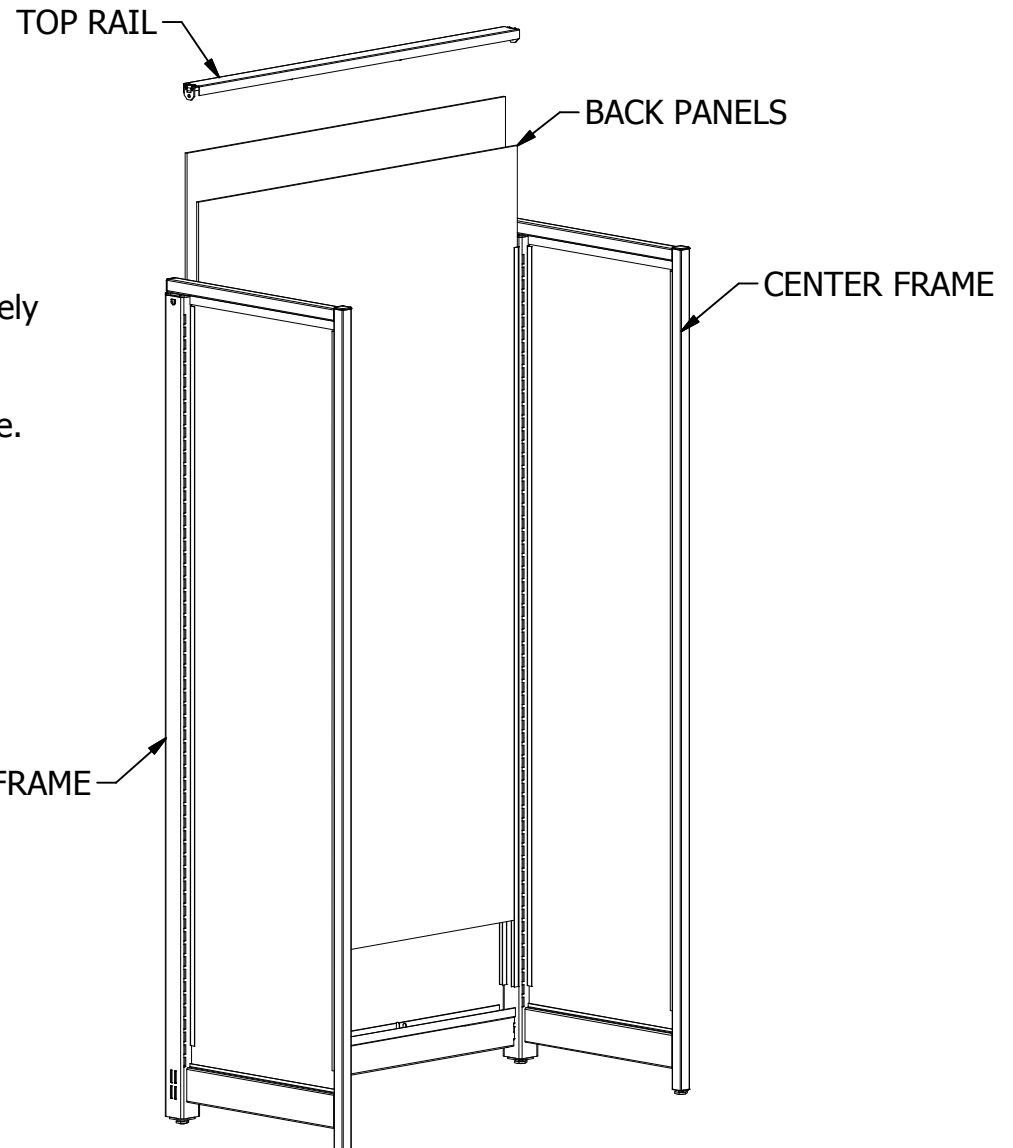
STEP 2: Stand center frame up and install the bottom rail hooks into the 4 slots at the bottom of the center frame upright. Tap down into place until fully seated.

**SEE PAGE 11 IF HEIGHT TO DEPTH RATIO EXCEEDS 6 TO 1.
UNIT MUST BE ANCHORED TO THE WALL
BEFORE PROCEEDING FURTHER WITH ASSEMBLY.**



INSTALLATION INSTRUCTIONS

BOUTIQUE WALL SECTION



STEP 3: Install required back panels into center section.

STEP 4: Install top rail at this time. Tap down until it securely locks into place.

STEP 5: Continue with above steps until section is complete.

STEP 6: Plumb and level system as required at this time.

INSTALLATION INSTRUCTIONS

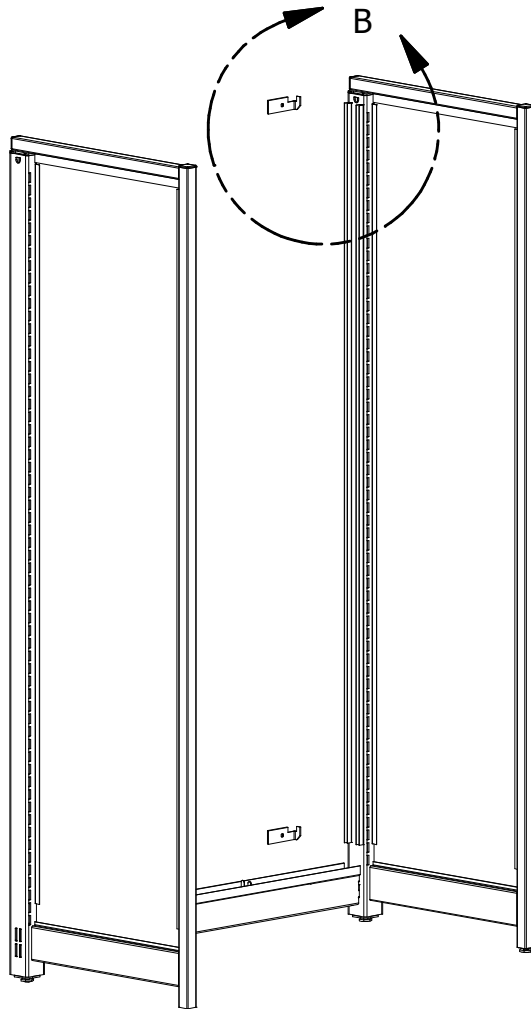
BOUTIQUE WALL SECTION

Anchoring of wall sections is required when the fixture height exceeds the depth by a ratio of 6 to 1. Anchoring does not increase the unbalanced load capacity of the fixture.

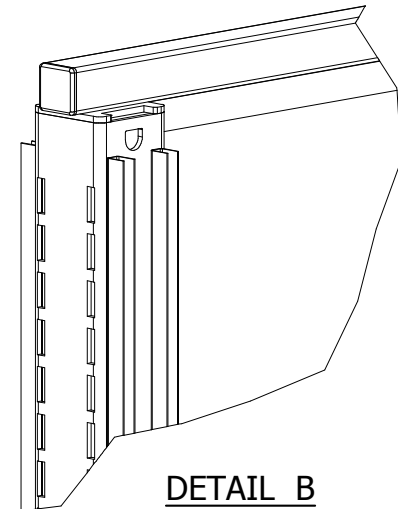
The purchaser of these fixture is responsible for determining the suitability of any specific wall or structure to which shelving is anchored, for the selection of and/or proper installation of the anchoring fasteners, hardware and materials, and for the workmanship of those performing the anchoring.

Position wall mount bracket (CD6931) toward the top and the bottom of each upright as shown for proper anchoring.

- Unit must be plumb and leveled prior to anchoring to the wall.
- Slot outside to outside on a nominal 4' system must be maintained at 48 1/16" for proper shelf installation.
- Recommend installing a shelf toward the top to assist in achieving the proper slot spacing.



WALL ANCHOR
CD6931



DETAIL B
VIEW FROM REAR