

# INSTALLATION INSTRUCTIONS

## CLASSIC RX® STORAGE UNITS

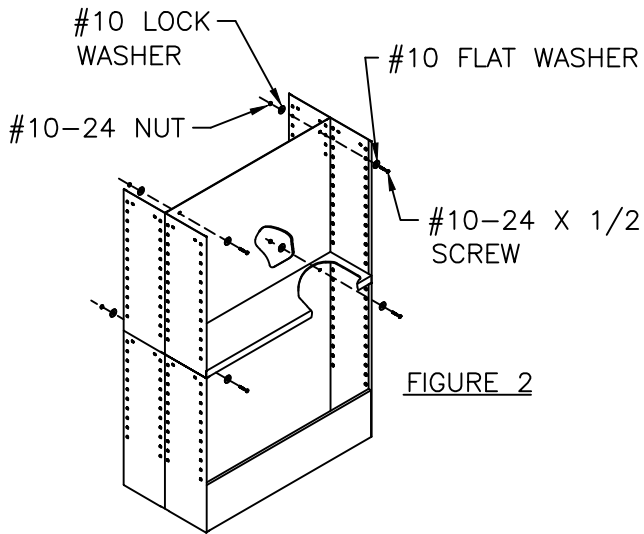


FIGURE 2

2. To attach units back-to-back: (figure 2)
  - a.) Position units with backs together making sure holes in backs are aligned.
  - b.) Fasten units together with (4) #10-24 x 1/2 machine screws, washers and nuts through the top and center slotted holes as shown.

3. To attach units end-to-end: (Figure 3)
  - a.) Position units with ends together making sure holes in sides are aligned.
  - b.) Attach single units together with (4) #10-24 x 1/2 screws, washers and nuts through top and center slotted holes as shown.
  - c.) Attach back-to-back sections through top and center holes nearest the front as shown.

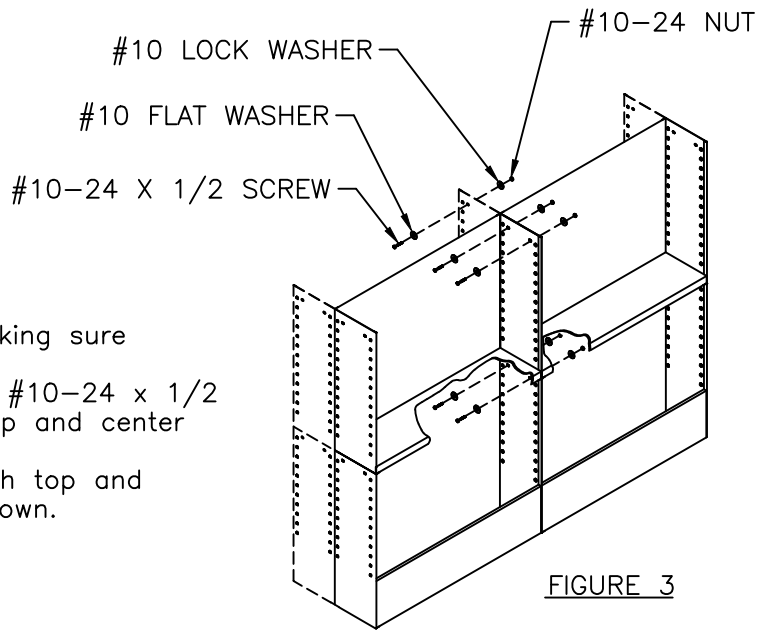


FIGURE 3

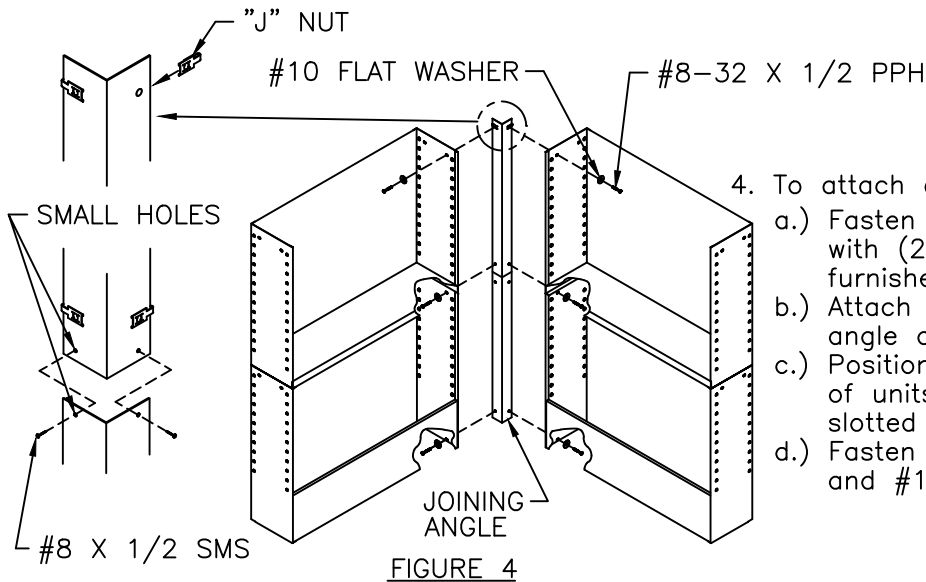
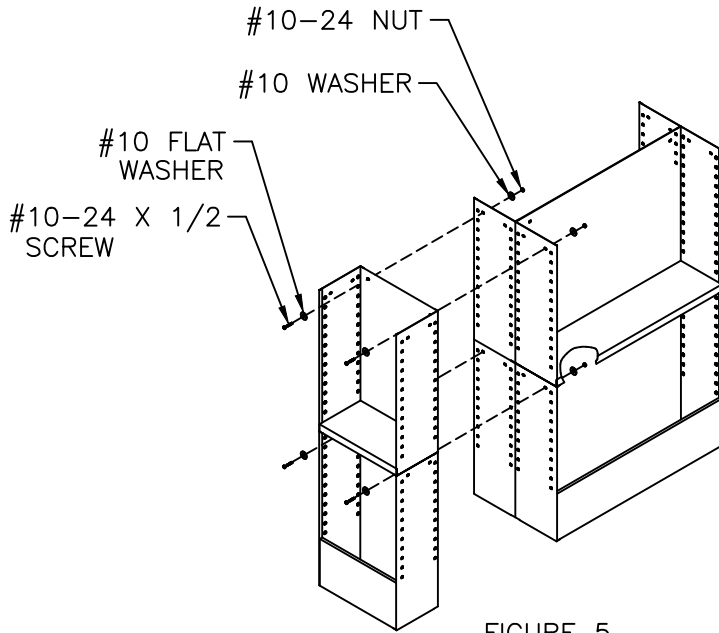


FIGURE 4

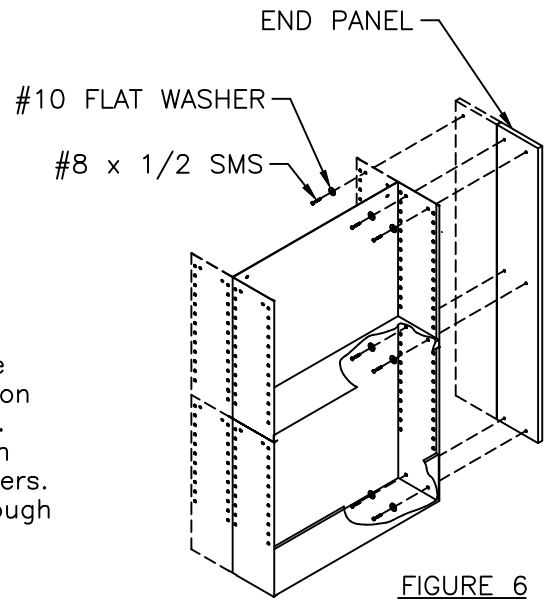
4. To attach adjacent units at right angles: (Figure 4)
  - a.) Fasten 2 piece joining angle (Item 4) together with (2) #8 x 1/2 screws or pop rivets (not furnished) through small holes as shown.
  - b.) Attach (6) "J" Nuts to large holes in joining angle as shown.
  - c.) Position joining angle behind adjacent corners of units so the "J" Nuts are aligned with the slotted holes in the side panels.
  - d.) Fasten with (6) #8-32 x 1/2 machine screws and #10 flat washer as shown.

# INSTALLATION INSTRUCTIONS

## CLASSIC RX® STORAGE UNITS



5. To attach RXWA15 to an island as an end unit: (Figure 5)
  - a.) position the end unit at the island end so that the holes in the backs are aligned with the holes in the island end.
  - b.) Fasten with (4) #10-24 x 1/2 screws, washers and nuts through the top and center holes.



6. Install wooden end panels as shown: (Figure 6)
  - a.) wall end panel: stand panel in place (panels have finished top and side edges) and mark the location of the holes through the unit side. Drill 1/8" dia. pilot holes 1/2" deep and secure to the unit with (6) #8 x 1/2" sheet metal screws and flat washers.
  - b.) Island end panel: same as "a" except fasten through holes closest to front of unit.

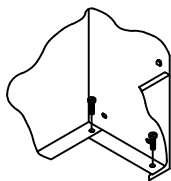


FIGURE 7

7. Anchor all units to the floor in the desired location. Use a 3/16" diameter anchoring device compatible with the floor construction and fasten through the 4 holes in the base of the unit. (Figure 7)
8. Install one shelf in the top tabs, one in the bottom tabs, and the remainder in the desired location.
9. On free standing wall sections only, secure the back to the top shelf by drilling 1/8" diameter pilot hole through the center and secure with (1) #8 x 1/2" screw as shown. (Figure 8)

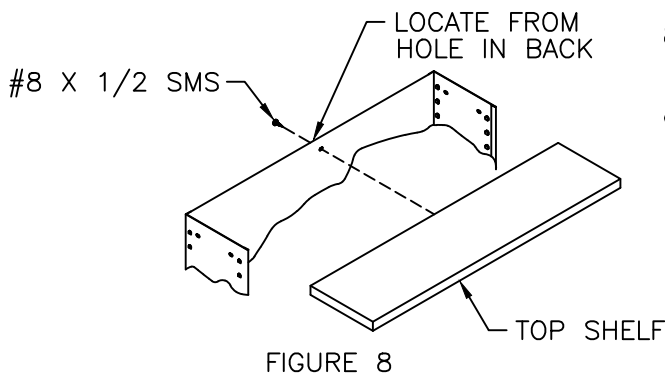
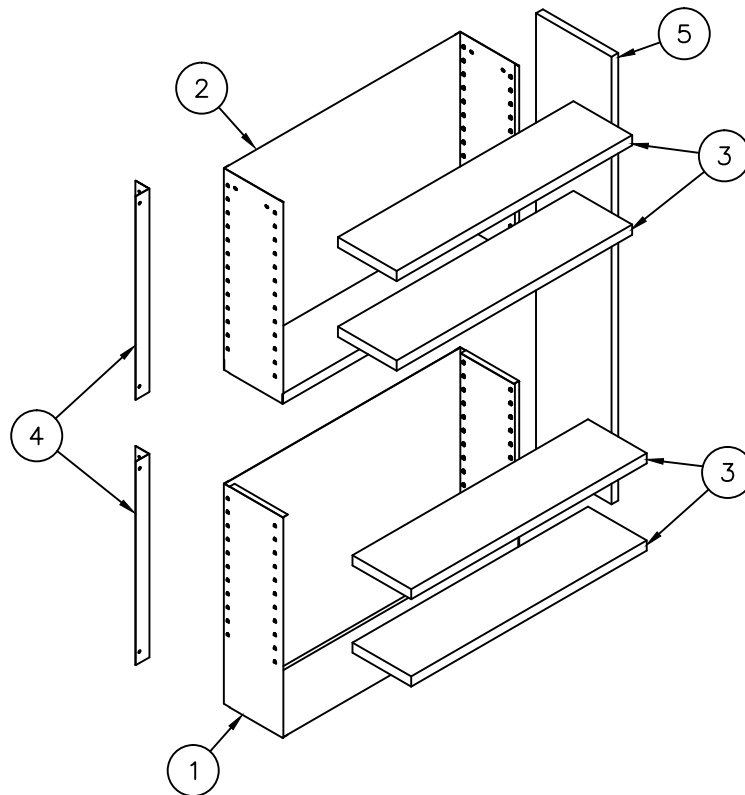


FIGURE 8

# INSTALLATION INSTRUCTIONS

## CLASSIC RX® STORAGE UNITS

ITEM	PART NUMBER	DESCRIPTION	QTY.
1	40237	LOWER MODULE	1
2	40232	UPPER MODULE	1
3	RXS__*PK4	SHELF	8
4	843423	JOINING ANGLE (2 PIECES-1 FROM EACH UNIT JOINING TOGETHER)	1
5	RXWP OR RXIP	WALL OR ISLAND END PANEL	AS ORDERED
6	50069	#10-24 X 1/2 PAN HEAD SCREW (P.H.)	8
7	57011	#10 LOCKWASHER	8
8	51008	#10-24 HEX NUT	8
9	56004	#8 X 1/2 SHEET METAL SCREW	10
10	54058	#8-32 "J" NUT	6
11	57036	#10 FLAT WASHER	10
12	50051	#8-32 MACHINE SCREW	6

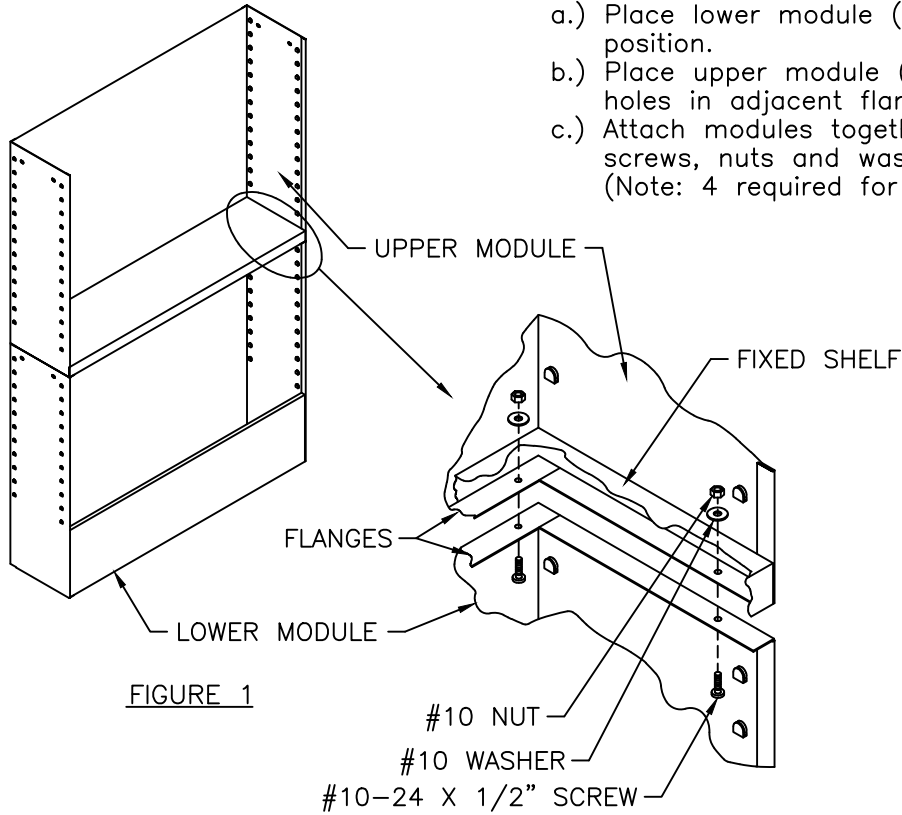


# INSTALLATION INSTRUCTIONS

## CLASSIC RX® STORAGE UNITS

### 1. ASSEMBLE BASIC UNIT (FIGURE 1).

- Place lower module (Item 1) on floor in an upright position.
- Place upper module (Item 2) on lower module so holes in adjacent flanges are aligned.
- Attach modules together with (5) #10-24 x 1/2" screws, nuts and washers.  
(Note: 4 required for 15" and 24" units).



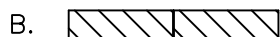
### GENERAL NOTE:

Subsequent assembly procedures are dependent upon the arrangement of the completed units in the final layout.

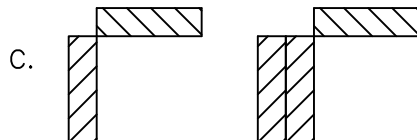
### PLAN VIEWS



To assemble into island units, proceed to step 2.



To run units end to end, proceed to step 3.



To connect adjacent units in an "L" proceed to step 4.



To attach RXWA15 as an island end unit, proceed to step 5.