

# INSTALLATION INSTRUCTIONS

## CUBE SAVER – SINGLE LEVEL

**POST THIS WARNING IN A CONSPICUOUS PLACE, CLEARLY VISIBLE TO ALL STORE PERSONNEL**

READ BEFORE ASSEMBLING  
***WARNING!***  
FOR YOUR SAFETY

- \* Install all shelving according to installation instructions and use components only as instructed. Shelving and components should only be installed or rearranged by trained personnel who have read and understand the instructions and warnings. Additional copies of the installation instructions are available upon request.
- \* Local codes and regulations concerning building, fire, sanitation, or seismic requirements may apply to some installations. It is the responsibility of the owner of the fixtures to check with local building authorities to determine what codes or regulations, if any, apply, and always install the shelving in compliance with any such requirements.
- \* When installing or rearranging shelving, NEVER move assembled shelving.
- \* Do NOT combine Lozier products with non-Lozier products.
- \* NEVER use damaged parts. Damaged parts may cause shelving to be structurally unsafe or create exposure to sharp or pointed edges. If parts were damaged in shipping, do not use and contact your Lozier Customer Service Representative. If parts are damaged after shipment, discontinue use immediately and order replacement parts.
- \* Do NOT exceed Allowable Load Limits. Exceeding allowable loads may cause the shelving to tip over or collapse.
- \* To avoid store personnel or customers accidentally coming in contact with display fixtures, NEVER allow any Shelf, Peg Hook, or other display to protrude into an aisle.
- \* Do NOT lean tall or heavy items against shelving unless shelving is anchored to a suitable building wall, to the floor, or otherwise braced to prevent overturning. The weight and force of leaning items on unanchored or unbraced shelving may cause the shelving to overturn or collapse.
- \* Shelving (or racks) that are leaning or bending when loaded may indicate a dangerous overload or impending collapse. Loads should be immediately reduced, and the cause for this condition should be corrected, before reloading. Refer to appropriate installation instructions to assure shelving (or racks) are properly assembled, replace any damaged components or parts, and do not exceed recommended maximum loads or engage in any other unsafe use of the shelving (racks).
- \* Provide safe access to all levels of storage & display shelving in accordance with applicable OSHA regulations. NEVER allow anyone to climb, walk, or stand on shelving. These shelves were not designed to withstand the extra weight and impact of climbing, walking and standing, and the added weight and impact of such actions may cause the fixture to collapse.
- \* NEVER alter, modify or otherwise structurally change the shelving or any of its component parts. Modification or alteration may cause the shelving or component part to become structurally unsafe resulting in tipping, collapse or other failure of the fixture.



# INSTALLATION INSTRUCTIONS

## CUBE SAVER – SINGLE LEVEL

### MAXIMUM SHELF LOAD LIMITS

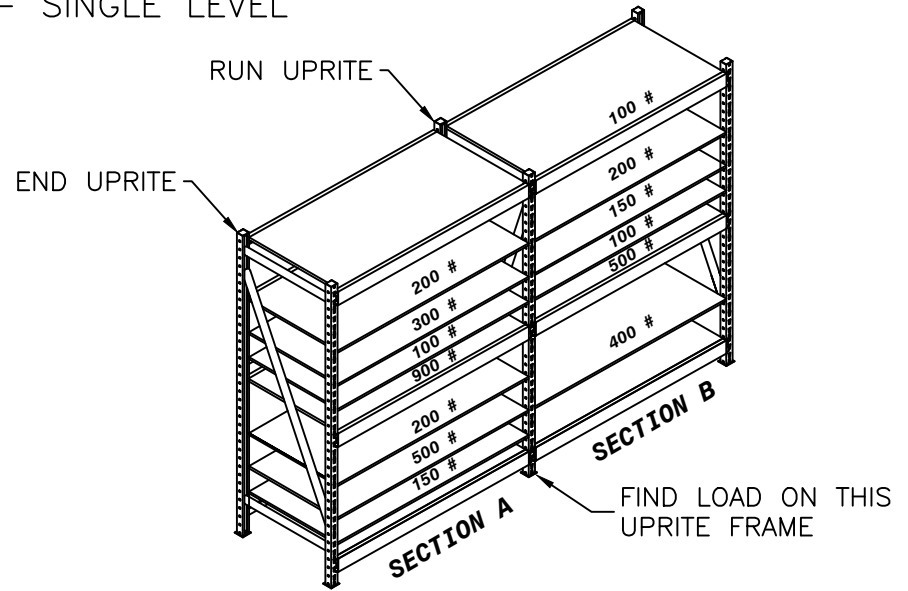
SHELF STYLE	SHELF TYPE	NOMINAL UPRITE FRAME	NOMINAL BEAM LENGTH FRAME	SHELF CAPACITY, LBS			
				1 SHELF SUPPORT	2 SHELF SUPPORTS	3 SHELF SUPPORTS	STORAGE SHELF
CUBE SAVER	STANDARD DUTY	12"–30"	36"–48" STANDARD DUTY	700	1600	2400	---
CUBE SAVER	HEAVY DUTY		36"–48" HEAVY DUTY	---	---	3000	---
STORAGE	HEAVY DUTY	12"–30"	TO MATCH ABOVE	---	---	---	600

## **WARNING!**

- \* DO NOT EXCEED THE STATED LOAD CAPACITY.
- \* MAXIMUM SHELF LOAD LIMITS ARE FOR EVENLY DISTRIBUTED LOADS. REDUCED LIMITS BY 50% FOR CONCENTRATED LOADS.
- \* HAND LOAD ONLY.
- \* REDUCE SHELF LOAD LIMITS AS REQUIRED TO AVOID EXCEEDING THE UPRITE LOAD LIMIT.

# INSTALLATION INSTRUCTIONS

## CUBE SAVER – SINGLE LEVEL



When loading shelves, it is important to determine the total load on the uprite frame.

The example on this page illustrates how to determine the load on the uprite assuming that the loads on the shelves are evenly distributed and that beams are spaced vertically no more than 48" on center, unless noted otherwise.

In the example, the shelf load is divided by two because a uniformly distributed shelf load is supported by two uprite frames.

SECTION A	+200 lbs
	+300 lbs
	+100 lbs
	+900 lbs
	+200 lbs
	+500 lbs
	+150 lbs
<hr/>	
2,350/2 = 1,175 lbs	
SECTION B	+100 lbs
	+200 lbs
	+150 lbs
	+100 lbs
	+500 lbs
	+400 lbs
<hr/>	
1450/2 = 725 lbs	

Total Load on Frame = 1,900 lbs

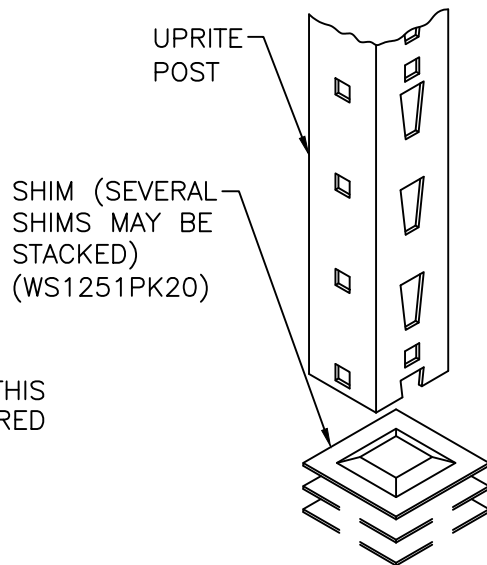
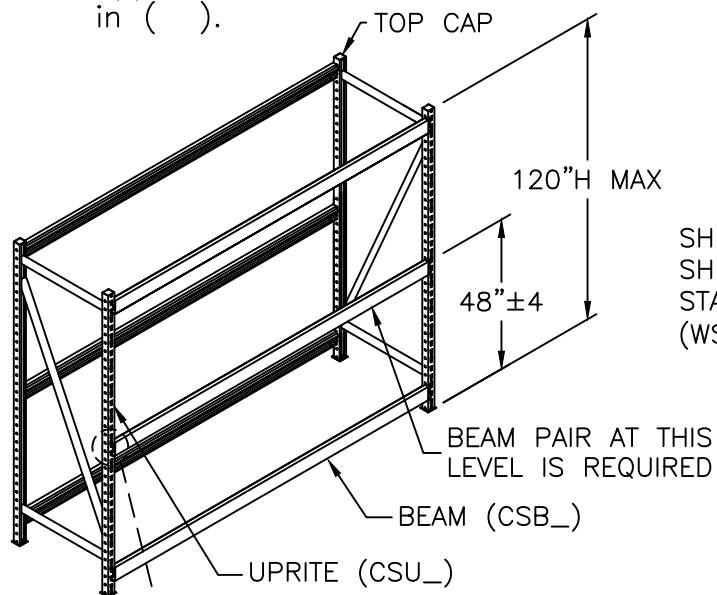
### WARNING!

- \*Do not exceed maximum uprite frame load limits (10,000 lbs per frame).
- \*Do not omit required beams.

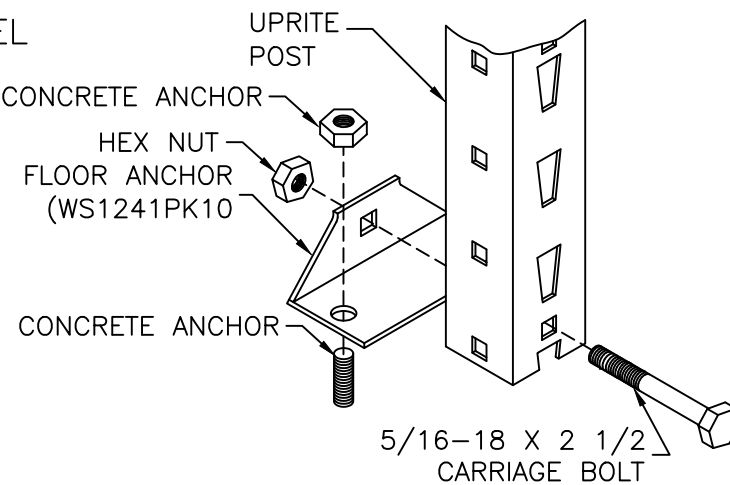
# INSTALLATION INSTRUCTIONS

## CUBE SAVER – SINGLE LEVEL

STEP 1. Assemble Uprite and Beams as shown.  
NOTE: Diagonal bracing should face opposite directions. Part Numbers shown in ( ).



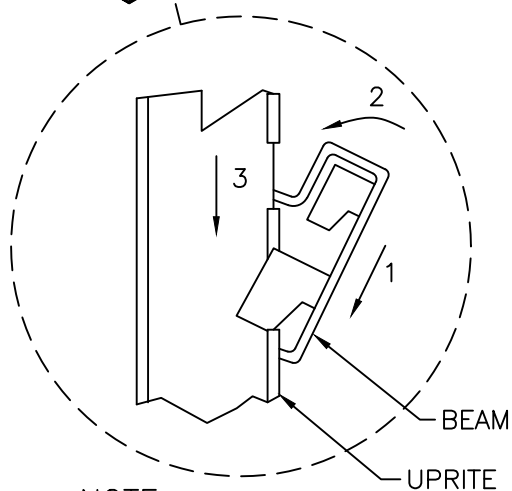
STEP 2. Shim Uprite Posts as necessary for uneven floors.



STEP 3. Some local building codes may require anchoring the Uprite Posts to the floor. Check with local building authorities for specific requirements. Anchor to floor using a wedge-style anchor suitable for concrete. Anchor material, finish, diameter and embedment shall be determined by the customer for the specific site requirement. The minimum anchor diameter shall be 1/4" and the minimum embedment shall be 1 1/8".

### IMPORTANT:

- \* Be sure beams are parallel to floor and that each beam of the pair is at the same height.
- \* If beam at floor is not used, uprites must be anchored to floor.
- \* Be sure beam hooks are fully seated in uprite slots.
- \* Locking clips must be used on all beams intended for tire storage.
- \* If the height of an uprite frame is six or more times greater than its depth, then the uprite posts must be anchored to the floor.
- \* If top lance in uprite post is to be used, remove top cap, install beam and replace top cap.

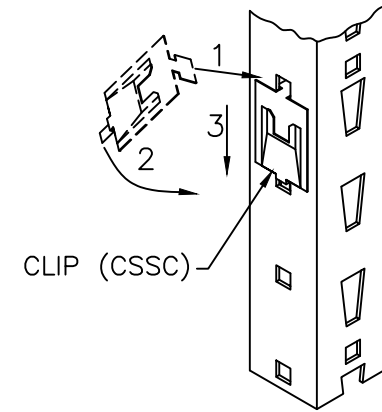
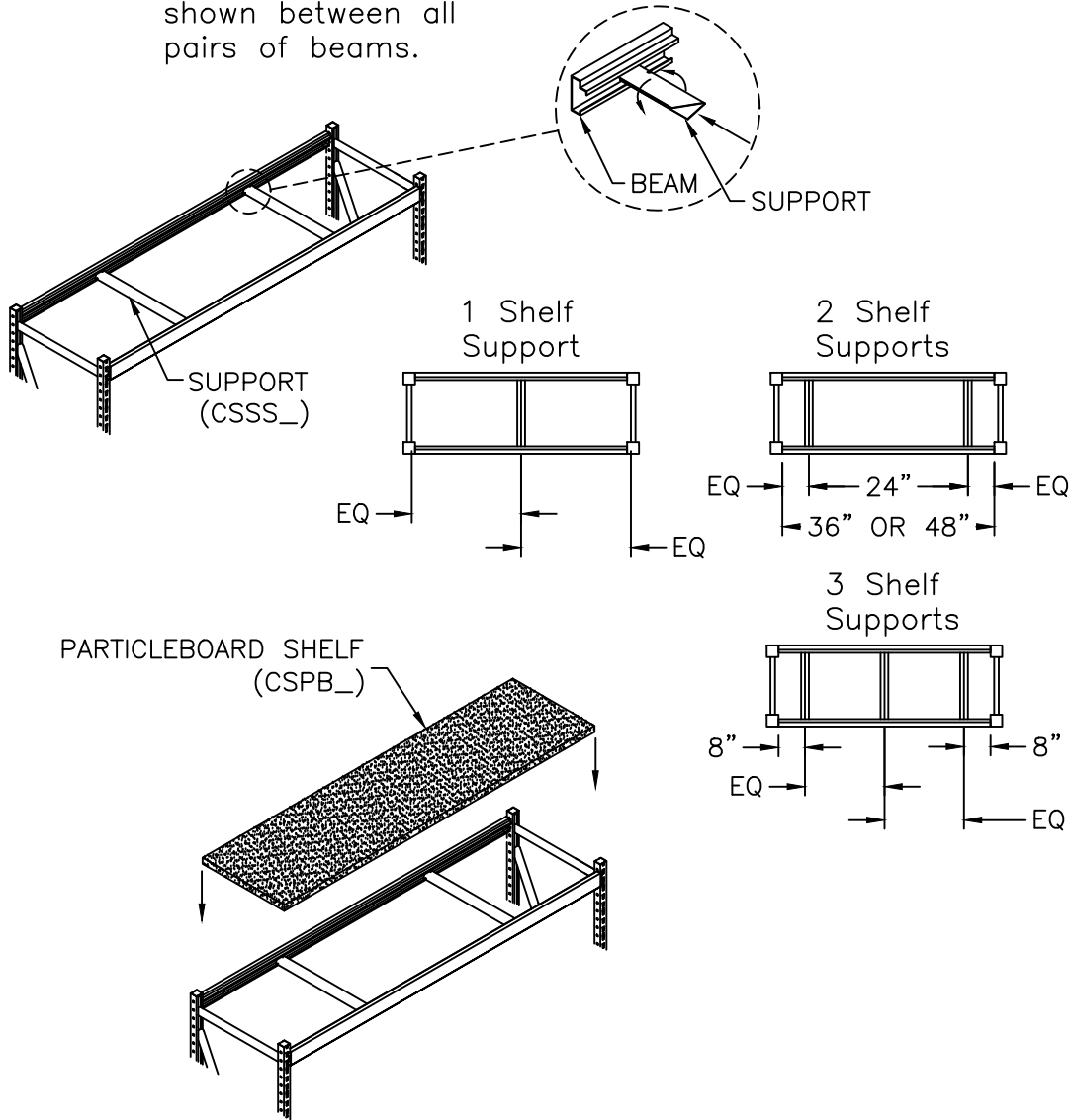


NOTE:  
Narrow end of slot in uprite toward floor

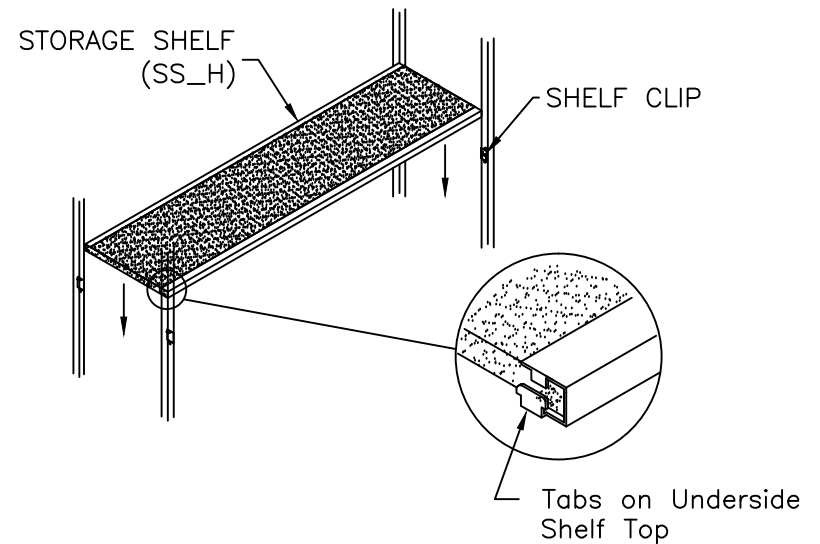
# INSTALLATION INSTRUCTIONS

## CUBE SAVER – SINGLE LEVEL

STEP 4. Install Shelf Supports as shown between all pairs of beams.



STEP 6. Install Storage Shelf Clips at desired locations (4 per shelf)



STEP 7. Install Storage Shelf onto Clips.

STEP 5. Install Particleboard Shelves over Shelf Supports

# INSTALLATION INSTRUCTIONS

## CUBE SAVER – SINGLE LEVEL

### STEP 5: BEAM LOCKING:

Beam locking clips (WS1291) or locking hardware (SW9111) must be used in the following applications:

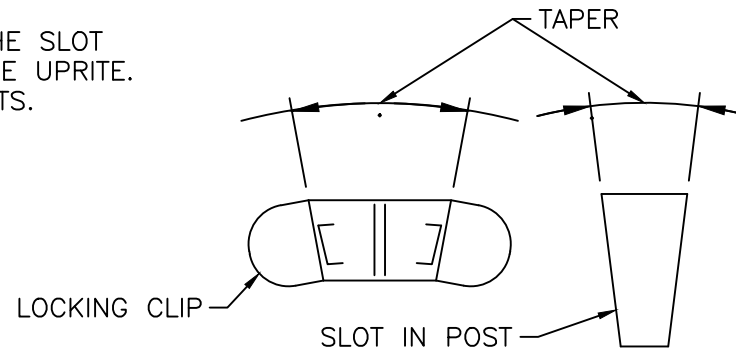
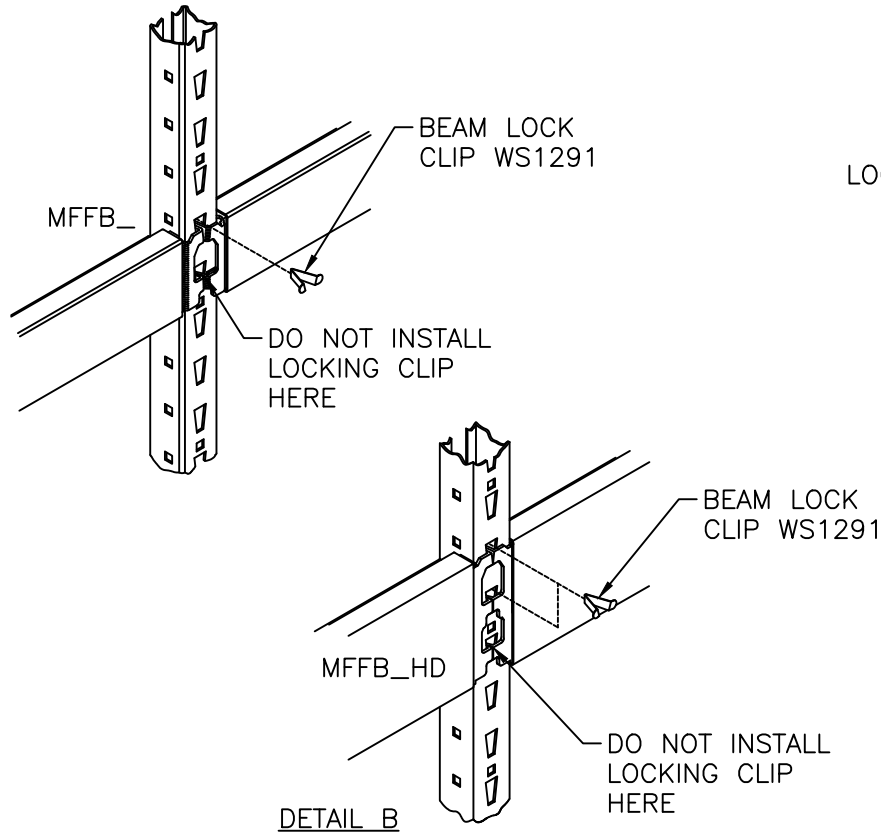
- When beams are used singly, not as a beam pair with connecting shelf supports
- When beam pairs will be used as tire racks

Locking clips must be oriented so that their tapered legs align with the tapered sides of the shelf slots in the upright post. The clips will not lock the beams unless they are correctly oriented when installed.

Insert the beam locking clip into the portion of the upright slot above the beam connector hook, as shown in Detail B. Always install the clip in the slots shown.



WARNING: DO NOT INSTALL THE LOCKING CLIP IN THE SLOT WITH BOTTOM HOOK OR THE TOP HALF SLOT OF THE UPRITE. THE CLIP WILL NOT LOCK THE BEAM IN THOSE SLOTS.



Position clip so taper of clips legs matches taper of the slot in post.

