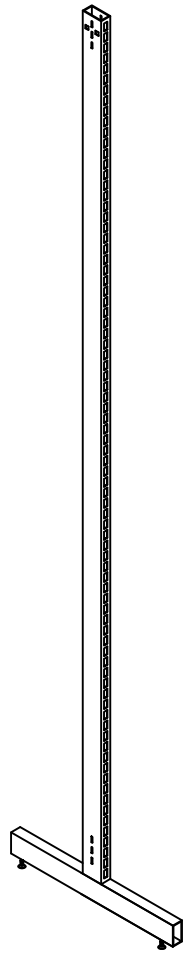


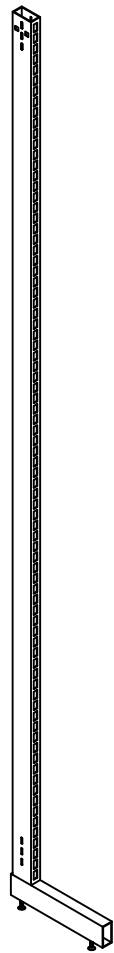
INSTALLATION INSTRUCTIONS

FLEX RX™ STORAGE SYSTEM

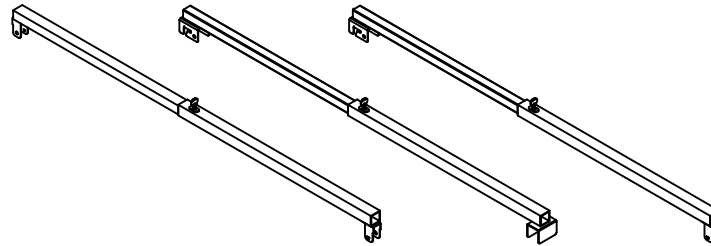
REQUIRED TOOLS: RUBBER/PLASTIC Mallet
-PHILLIPS SCREWDRIVER
-LEVEL



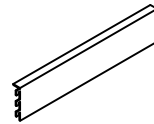
T-UPRITE
FRXTU8416



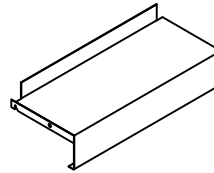
L-UPRITE
FRXLU8409



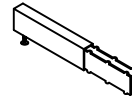
OVERHEAD BRACES
FRXOB4872, FRXOB4872SS, & FRXOB4872S



STRETCHER
FRXST**



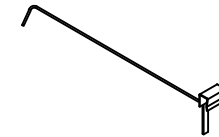
BASE SHELF
FRXBS**07



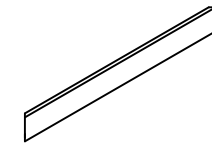
REMOVABLE LEG
FRXRL07



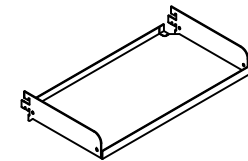
WALL MOUNT CLIP
FRXWMC



WIRE DIVIDER
FRXWD07

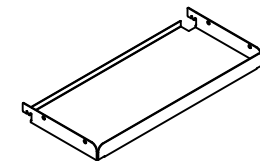


ACRYLIC FRONT
FRXPR**



FLEX RX SHELVES 32-36-48
FRXS**07

**DO NOT EXCEED 100LBS
UNIFORMLY DISTRIBUTED
SHELF LOAD**



FLEX RX SHELF 16
FRXS1607

**DO NOT EXCEED 60LBS
UNIFORMLY DISTIBUTED
SHELF LOAD**

INSTALLATION INSTRUCTIONS

FLEX RX™ STORAGE SYSTEM

POST THIS INFORMATION IN A LOCATION CLEARLY VISIBLE TO ALL STORE PERSONNEL READ BEFORE ASSEMBLING OR USING SHELVING WARNING

These instructions and safety information should be reviewed with all store personnel, and along with all other instructions for your Lozier products, must be preserved and provided to any subsequent user or purchaser of these fixtures. Additional copies available upon request.

- Install all shelving according to installation instructions and use components only as instructed. Shelving and components should only be installed or rearranged by trained personnel who have read and understand these instructions and warnings.
- Local codes and regulations concerning building, fire, sanitation, or seismic requirements may apply to some installations. It is the responsibility of the owner of these fixtures to check with local building authorities to determine what codes or regulations, if any, apply and always install the shelving in compliance with any such requirements.
- When installing or rearranging shelving, **never** move assembled shelving.
- Do **not** combine Lozier products with non-Lozier products.
- **Never** use damaged parts. Damaged parts may cause shelving to be structurally unsafe or create exposure to sharp or pointed edges. If parts were damaged in shipment, do not use and contact your Lozier Customer Service Representative. If parts are damaged after shipment, discontinue use immediately and order replacement parts.
- Do **not** exceed allowable shelf loads. Exceeding allowable loads may cause shelving damage.
- Do **not** hang shelves or other accessories on the backside of L-Uprites, the side without a horizontal leg.
- To avoid store personnel accidentally coming in contact with fixtures, **never** allow any shelf or other accessory to project out beyond the uprite legs.
- Do **not** lean tall or heavy items against shelving unless shelving is anchored to a suitable building wall, to the floor, or is otherwise braced to prevent overturning. The weight and force of leaning items on unanchored or unbraced shelving may cause the shelving to overturn or collapse.
- Shelving that is leaning may indicate an improper installation or an unintended alteration of the installation occurring from misuse. The cause for the condition should be determined and corrected. Damage parts should be replaced.
- Provide safe access to all levels of storage & display shelving in accordance with applicable OSHA regulations. Never allow anyone to climb, walk, or stand on shelving.
 - These shelves were not designed to withstand the extra weight and impact of climbing, walking and standing, and the added weight and impact of such actions may cause the fixture to collapse.
- Never alter, modify or otherwise structurally change the shelving or any of its component parts. Modification or alteration may cause the shelving or component part to become structurally unsafe resulting in tipping, collapse or other failure of the fixture.

IMPORTANT! Failure to follow these instructions and warnings may result in personal injury to your employees or customers, damage to property, or damage to the fixture itself



INSTALLATION INSTRUCTIONS

FLEX RX™ STORAGE SYSTEM

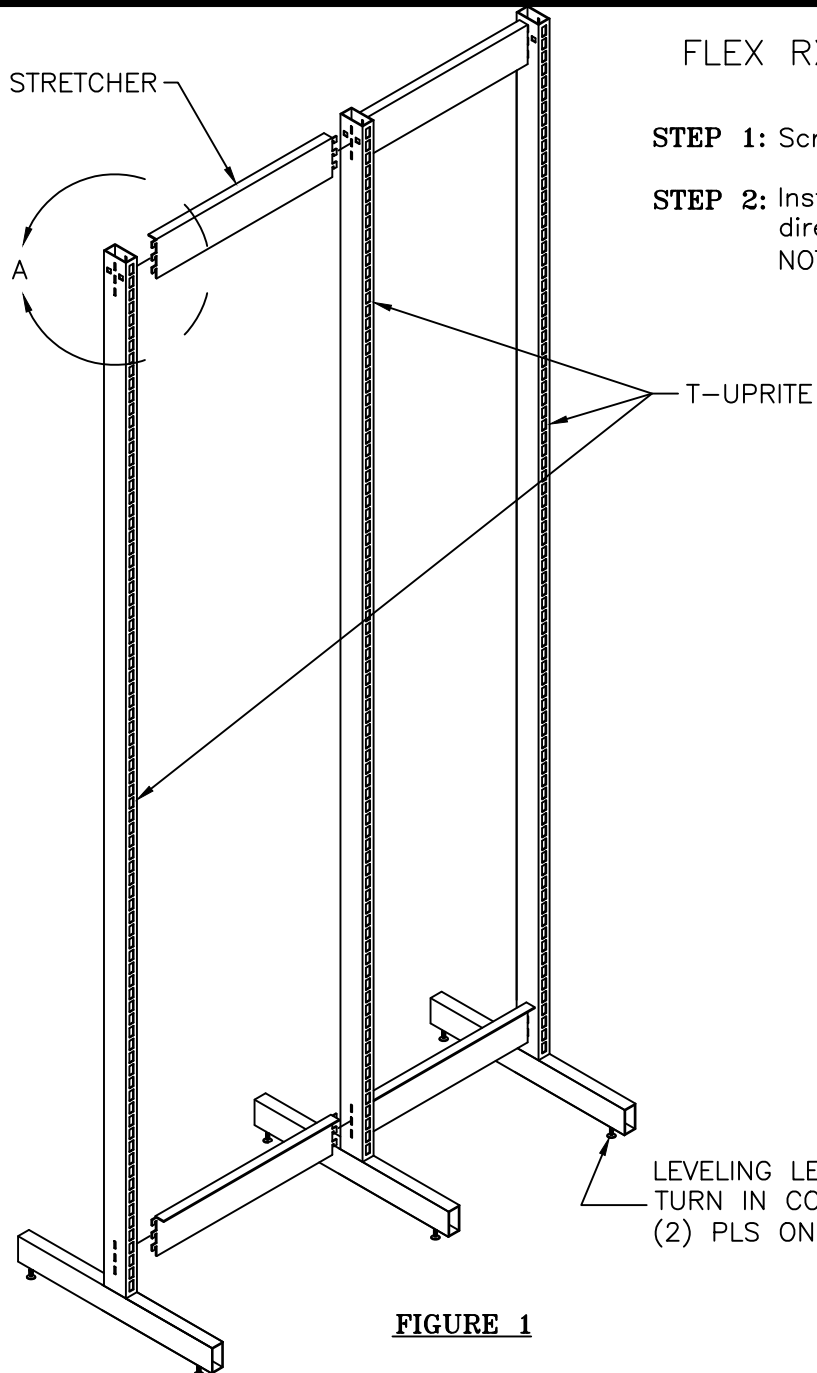


FIGURE 1

STEP 1: Screw Leveling Legs all the way in on the T-Uprites.

STEP 2: Install Stretchers into Uprite with top flanges facing opposite directions as shown in Figure 1.

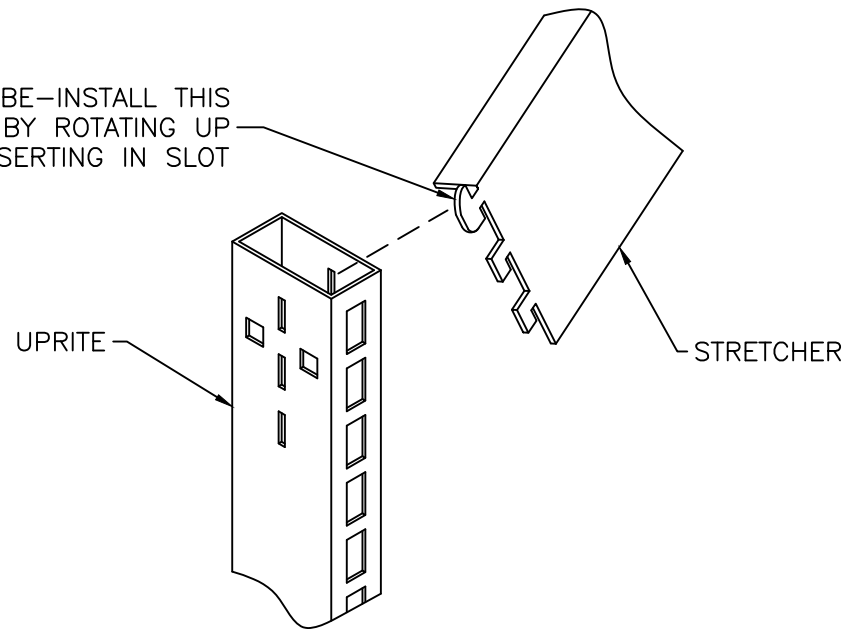
NOTE: Must install end with the safety lobe first (see Detail A).

A. Tap Stretchers down with rubber/plastic mallet to secure in place.

B. Assemble whole run and then level Uprites by:

1. Place level on face of Uprite and turn Leveling Leg in or out,
2. Place level across Legs of T-Uprite and adjust Leveling Legs as required.

SAFETY LOBE—INSTALL THIS END FIRST BY ROTATING UP AND INSERTING IN SLOT



DETAIL A

INSTALLATION INSTRUCTIONS

FLEX RX[™] STORAGE SYSTEM

STEP 3: Install End Panel to Upright as shown in figure 2.

- A. Center End Panel on End Upright.
- B. Install End Panel Clip through slot in Upright & secure in place, as shown in "Detail A."

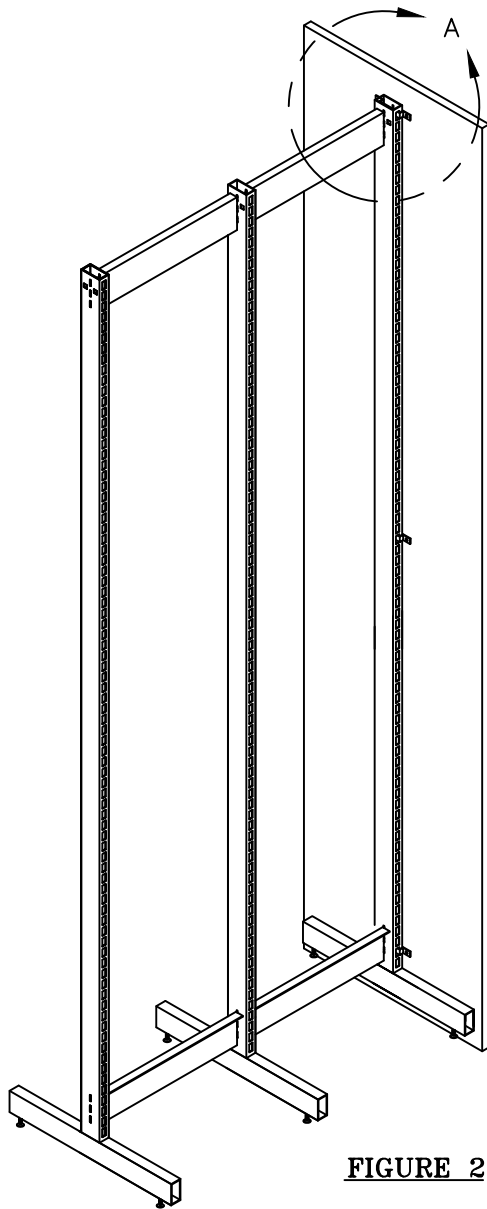
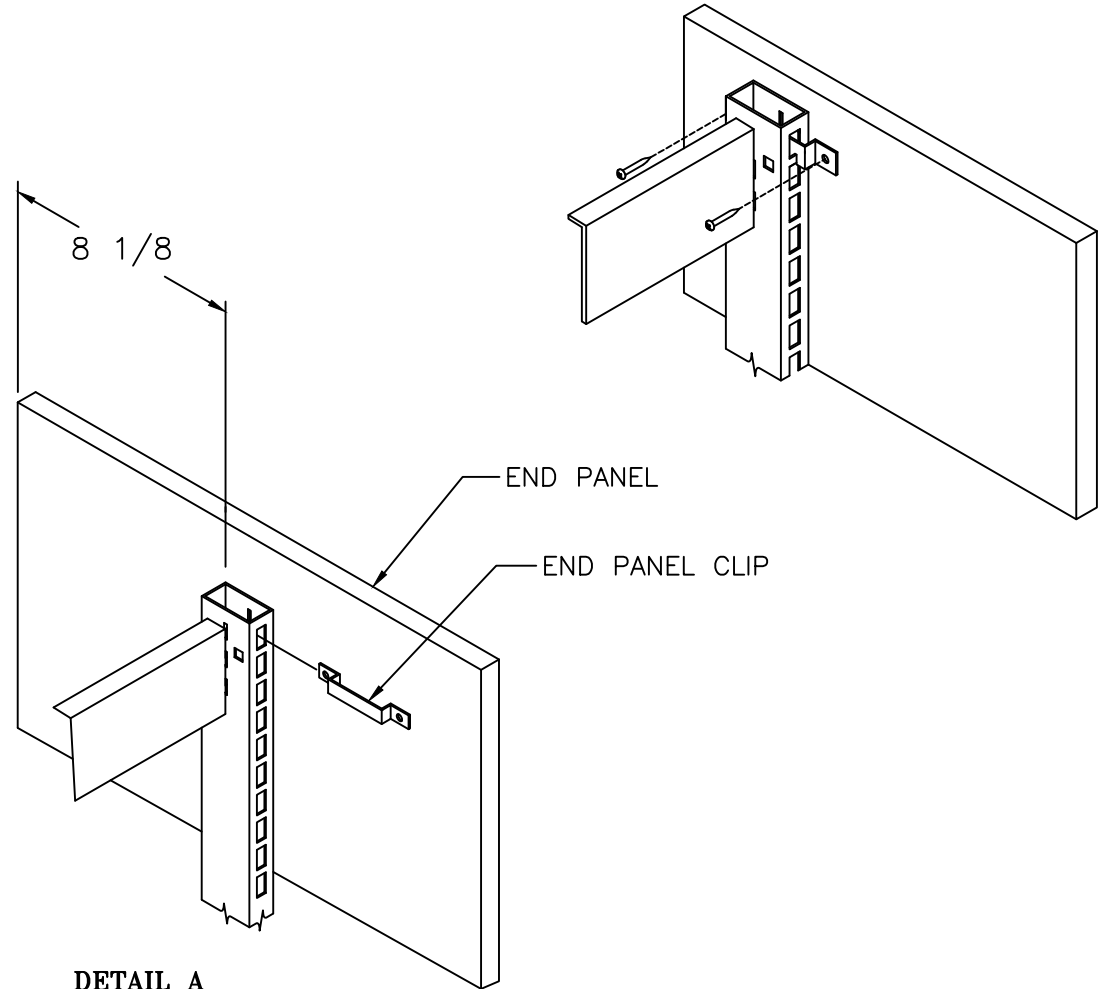


FIGURE 2



DETAIL A

INSTALLATION INSTRUCTIONS

FLEX RX™ STORAGE SYSTEM

- STEP 4:** Install Base Shelves to bottom of Uprites as shown in figure 3 & "Detail B".
- STEP 5:** Install Shelves at desired heights as shown in figure 3 & "Detail B".

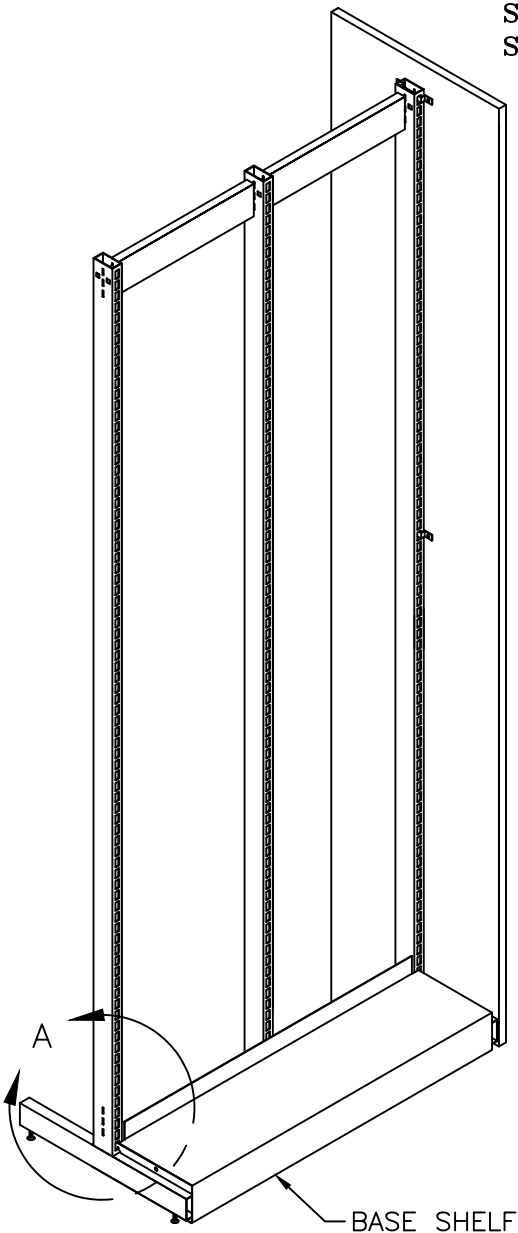
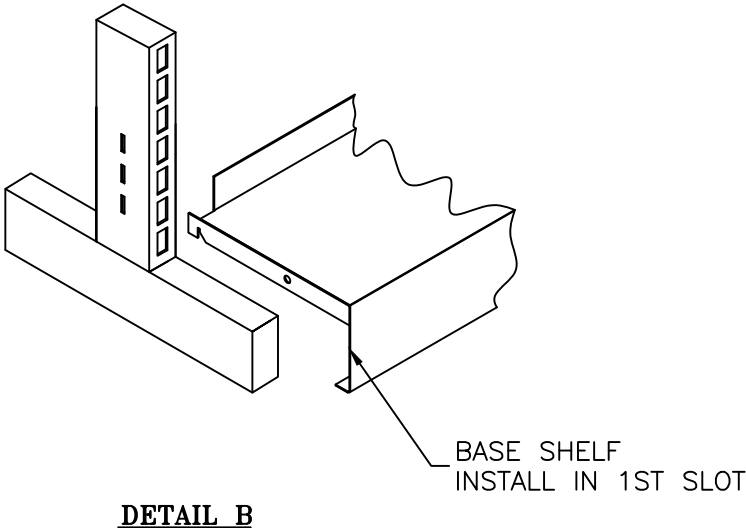


FIGURE 3



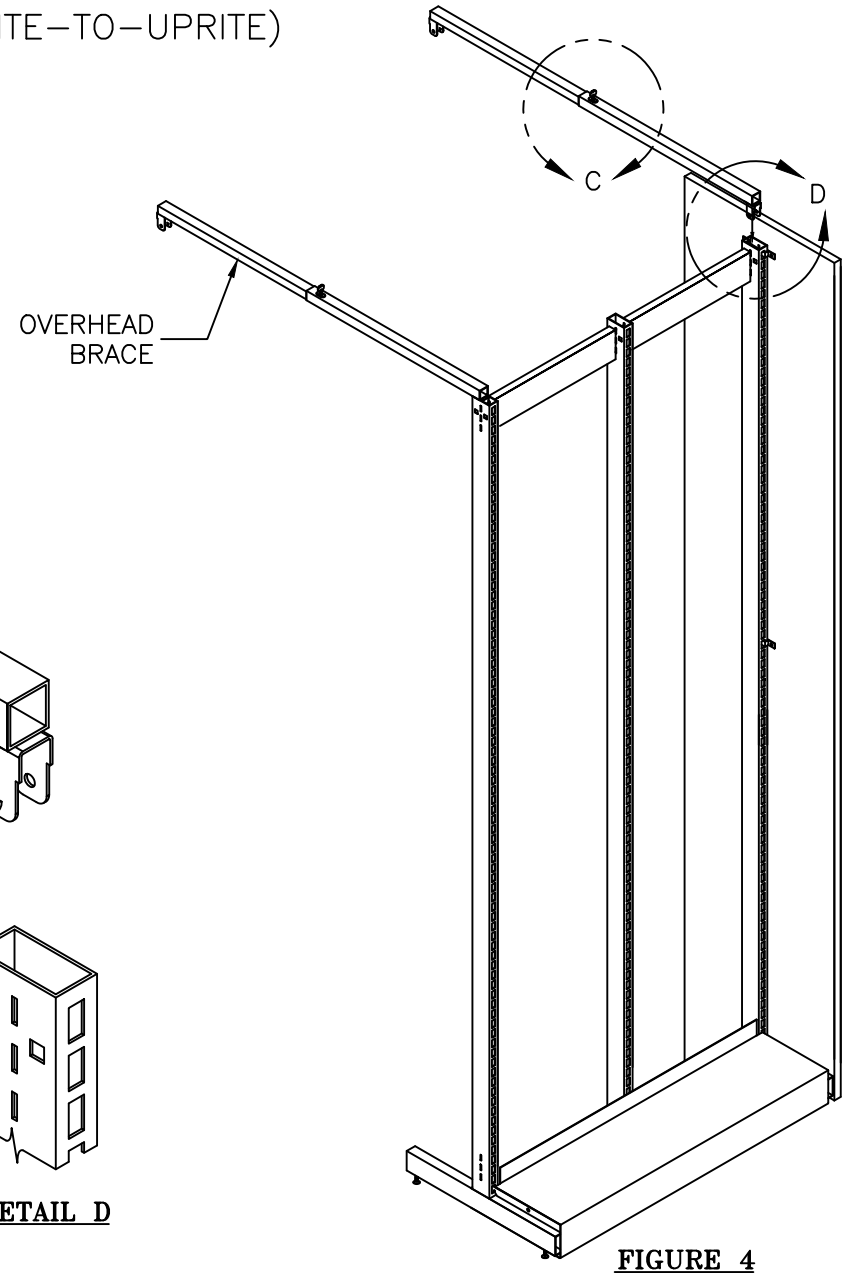
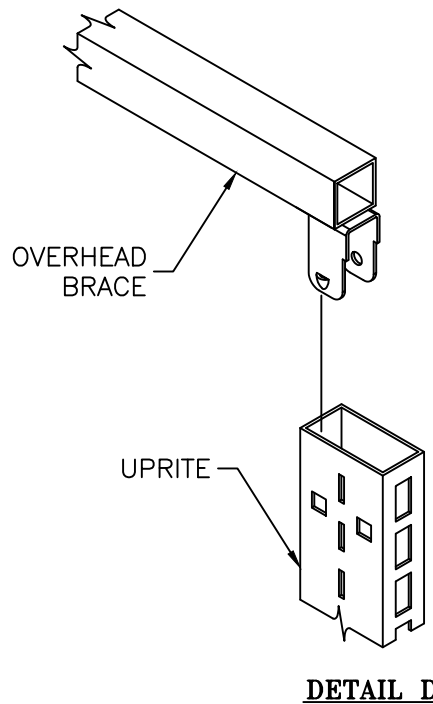
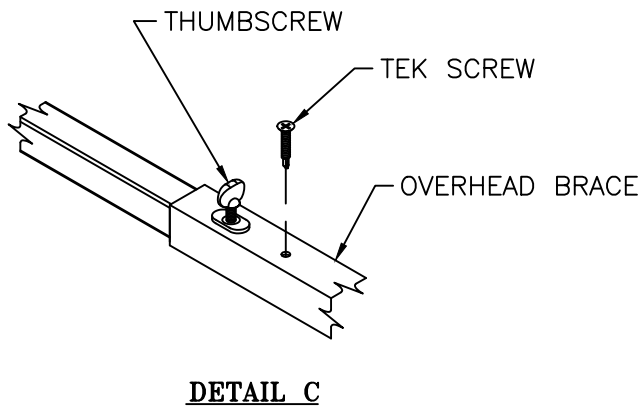
DETAIL B

INSTALLATION INSTRUCTIONS

FLEX RX™ STORAGE SYSTEM (UNITS ALIGNED UPRITE-TO-UPRITE)

NOTE: OVERHEAD BRACES MUST BE SECURELY INSTALLED TO STABILIZE THE SYSTEM.

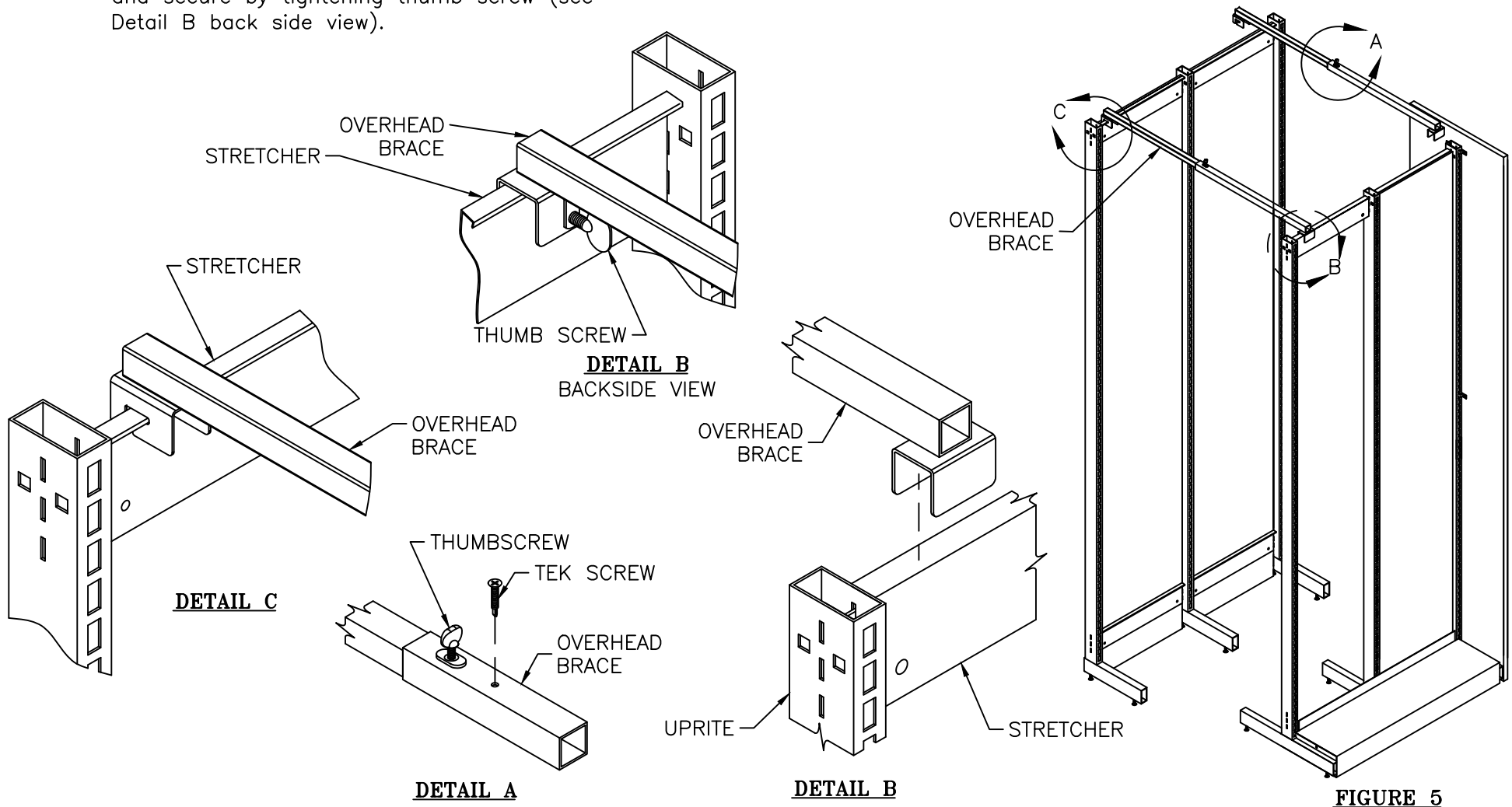
- STEP 6:** Loosen Thumbscrew and slide Brace apart to desired width.
- STEP 7:** Install into top of Uprite as shown in "Detail D".
(Tabs may need to be spread apart to allow them to fully engage into the uprite. The tabs will snap into place when fully engaged.)
- STEP 8:** Tighten Thumbscrew securely making sure Uprites are level.
- STEP 9:** To lock in place, install tek screw in overhead brace as shown in "Detail C".
- STEP 10:** Install Overhead Brace on end Uprite and every other Uprite as shown.



INSTALLATION INSTRUCTIONS

FLEX RX™ STORAGE SYSTEM (UNITS ALIGNED STRETCHER-TO-STRETCHER)

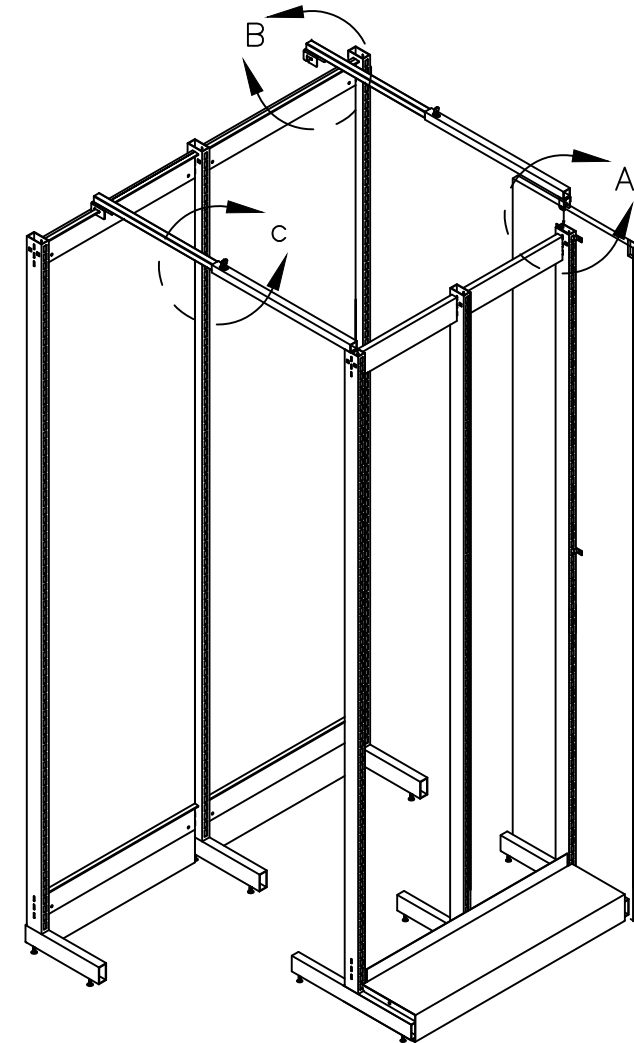
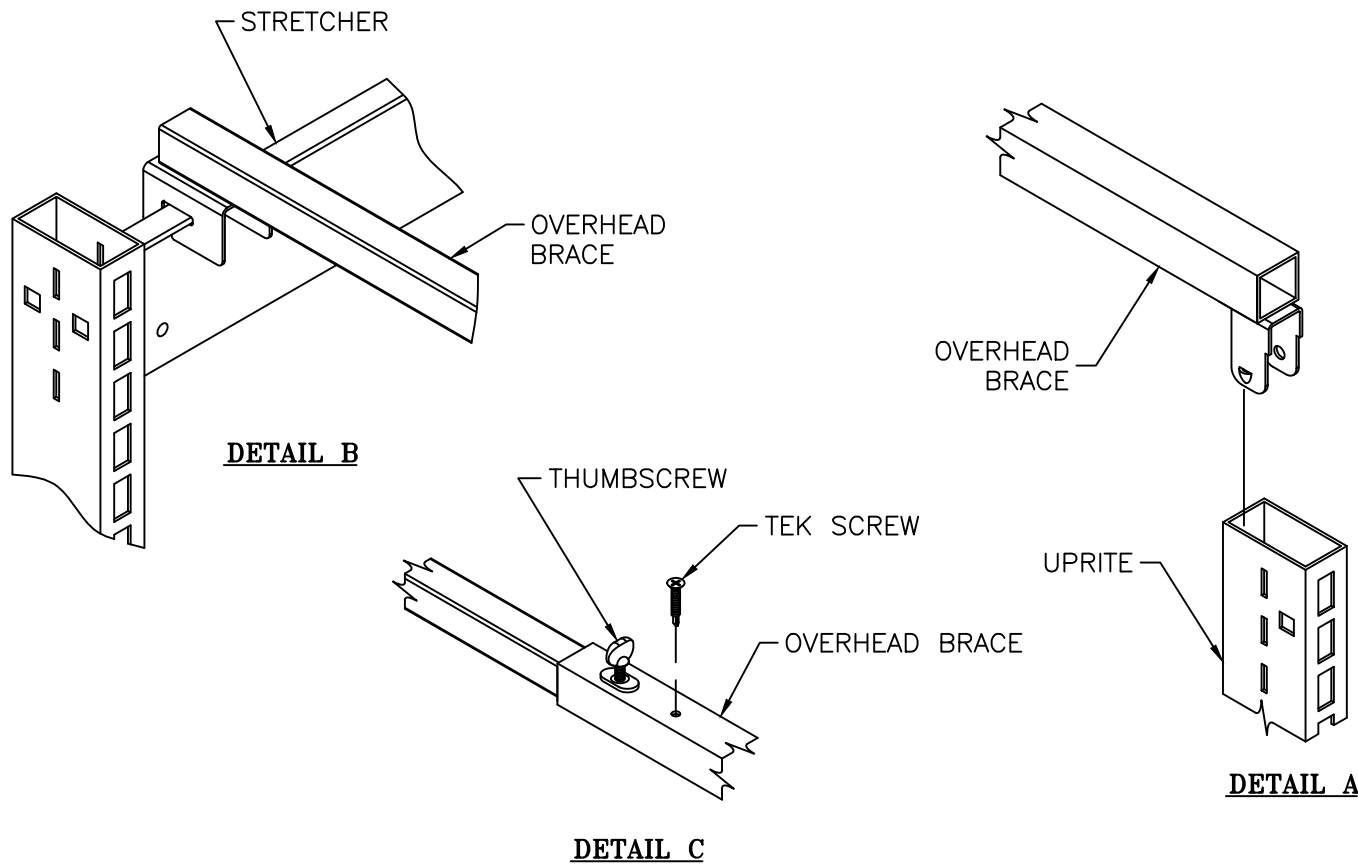
- STEP 6:** Loosen thumbscrew and slide brace apart to desired width.
STEP 7: Install onto top of stretcher and stretcher as shown in DETAIL B and C.
STEP 8: Tighten thumbscrew securely, making sure uprights are level.
STEP 9: To lock in place, install tek screw in overhead brace as shown in DETAIL A.
STEP 10: Install overhead brace over opposite stretcher and secure by tightening thumb screw (see Detail B back side view).



INSTALLATION INSTRUCTIONS

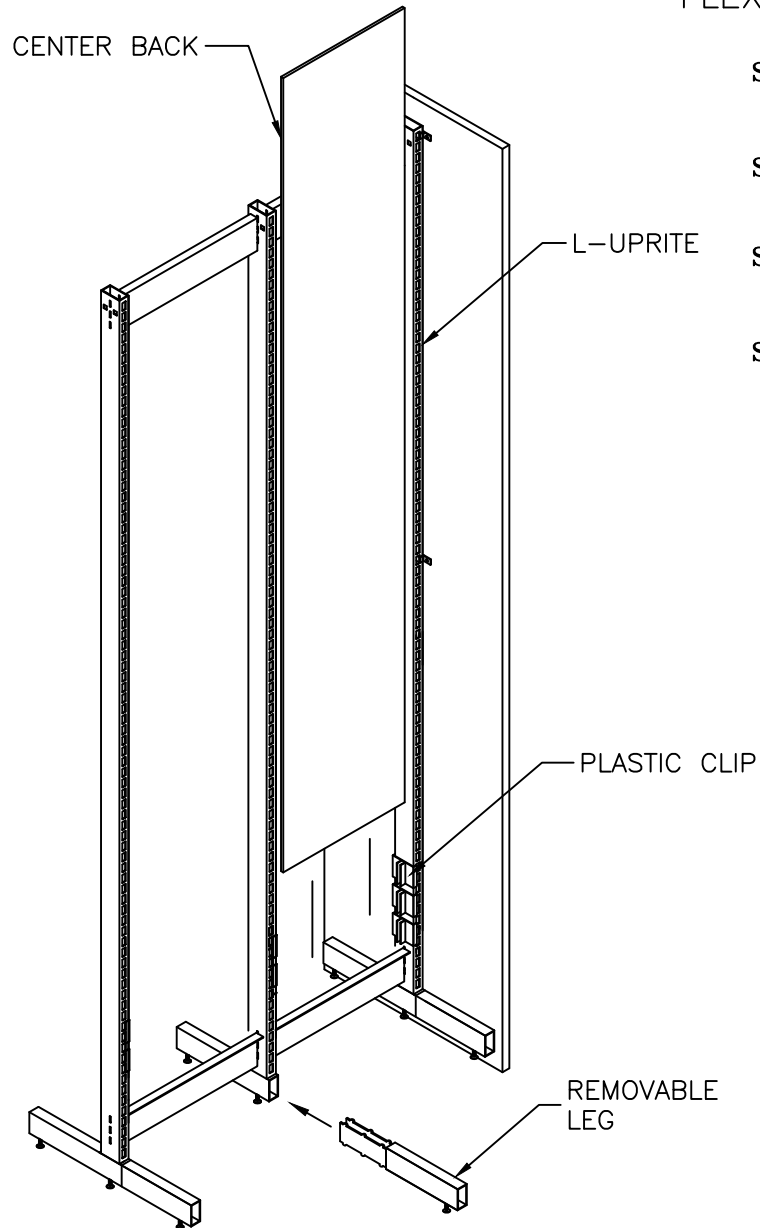
FLEX RXTM STORAGE SYSTEM (UNITS ALIGNED UPRITE-TO-STRETCHER)

- STEP 6:** Loosen thumbscrew and slide brace apart to desired width.
- STEP 7:** Install into top of uprite and onto top of stretcher as shown in DETAILS A and B.
- STEP 8:** Tighten thumbscrews securely, making sure uprites are level.
- STEP 9:** To lock in place, install tek screw in overhead brace as shown in DETAIL C.
- STEP 10:** Install overhead brace on end uprite and every other uprite as shown in Figure 6.



INSTALLATION INSTRUCTIONS

FLEX RX[™] STORAGE SYSTEM



STEP 11: For section that require Legs to be removed, use L-Uprites w/Removable Legs (see Figure 5).

STEP 12: If optional Back Panel is desired install (3) Plastic Clips (TA8231) at bottom of each Uprite as shown.

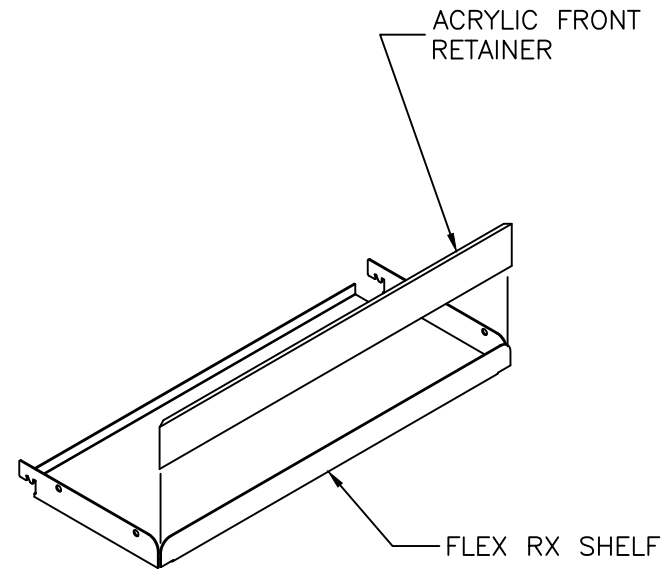
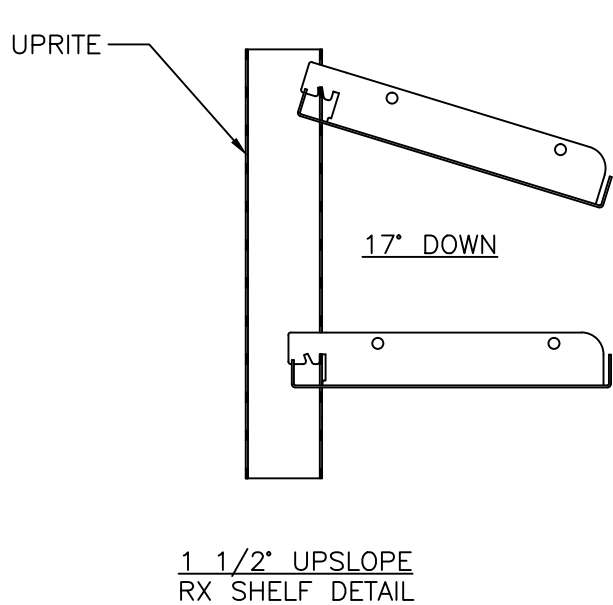
STEP 13: Slide Back Panel down through Plastic Clip channels until back rests on floor.

STEP 14: Slide Plastic Clips up so that (1) Clip is at top of back, (1) is in middle of back and (1) is at bottom of back, approximately 10" from floor.

FIGURE 7

INSTALLATION INSTRUCTIONS

FLEX RX[™] STORAGE SYSTEM



SHELF INSTALLATION

STEP 1: Install Shelves in desired positions in either 1 1/2° upslope or 17° down position.

NOTE: Load rating for 16" Shelf is 60lbs evenly distributed. Load rating for 32", 36" and 48" Shelves are 100lbs evenly distributed.

STEP 2: Install optional Acrylic Front Retainer and Metal Divider as shown in Figure 8.

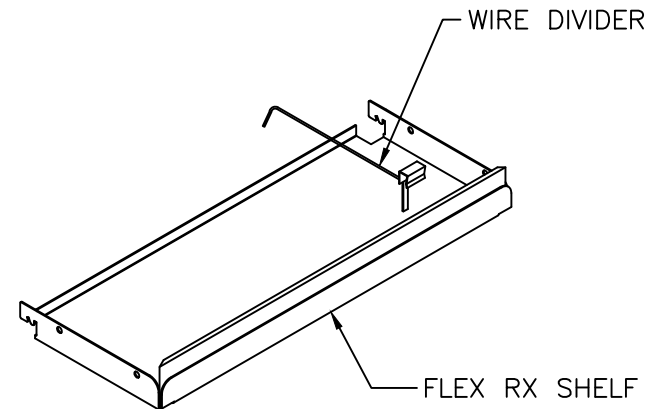


FIGURE 8

INSTALLATION INSTRUCTIONS

FLEX RX™ STORAGE SYSTEM

WALL MOUNT

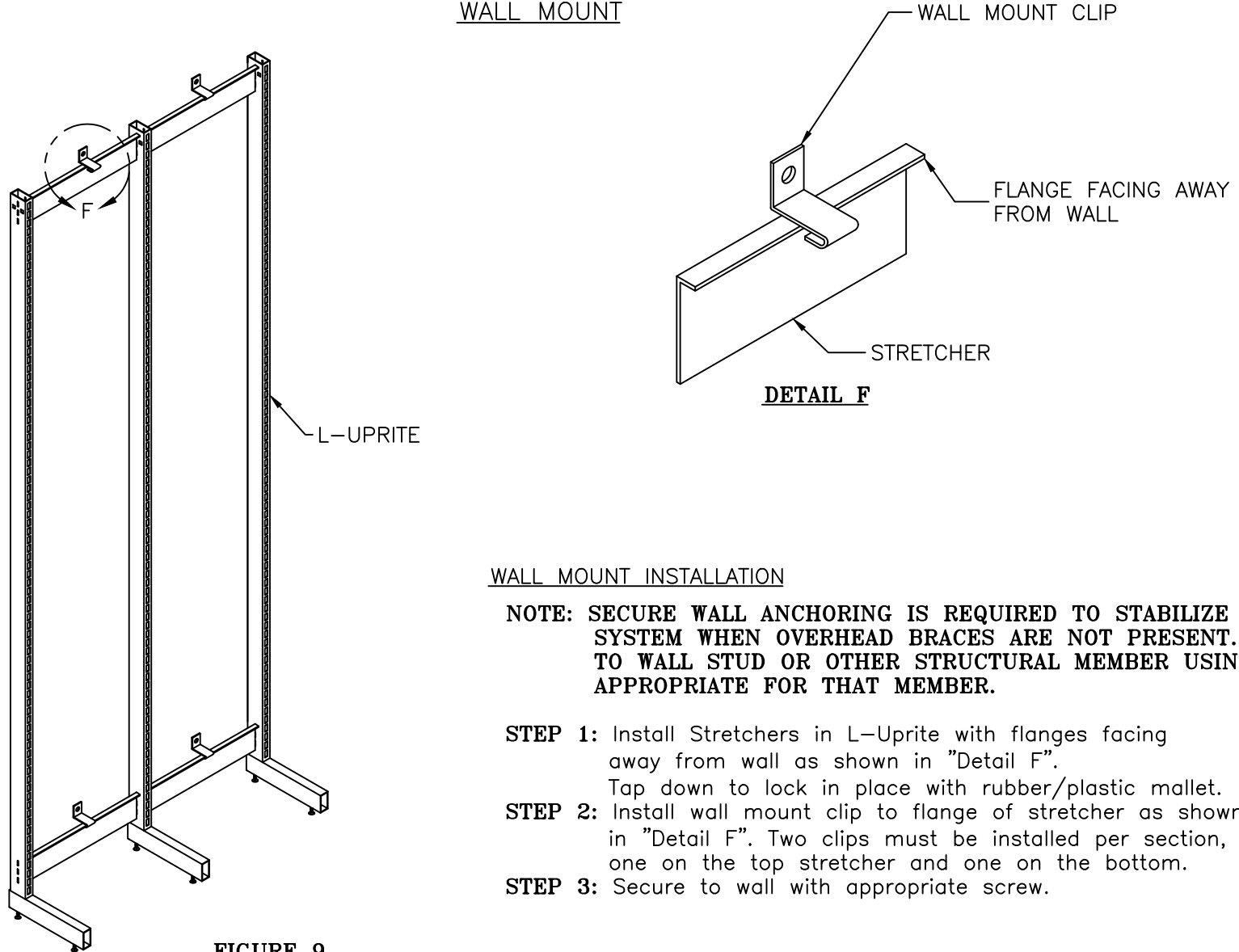


FIGURE 9

WALL MOUNT INSTALLATION

NOTE: SECURE WALL ANCHORING IS REQUIRED TO STABILIZE THE SYSTEM WHEN OVERHEAD BRACES ARE NOT PRESENT. ANCHOR TO WALL STUD OR OTHER STRUCTURAL MEMBER USING SCREWS APPROPRIATE FOR THAT MEMBER.

- STEP 1:** Install Stretchers in L-Upright with flanges facing away from wall as shown in "Detail F". Tap down to lock in place with rubber/plastic mallet.
- STEP 2:** Install wall mount clip to flange of stretcher as shown in "Detail F". Two clips must be installed per section, one on the top stretcher and one on the bottom.
- STEP 3:** Secure to wall with appropriate screw.

INSTALLATION INSTRUCTIONS

FLEX RX[™] STORAGE SYSTEM WALL MOUNT

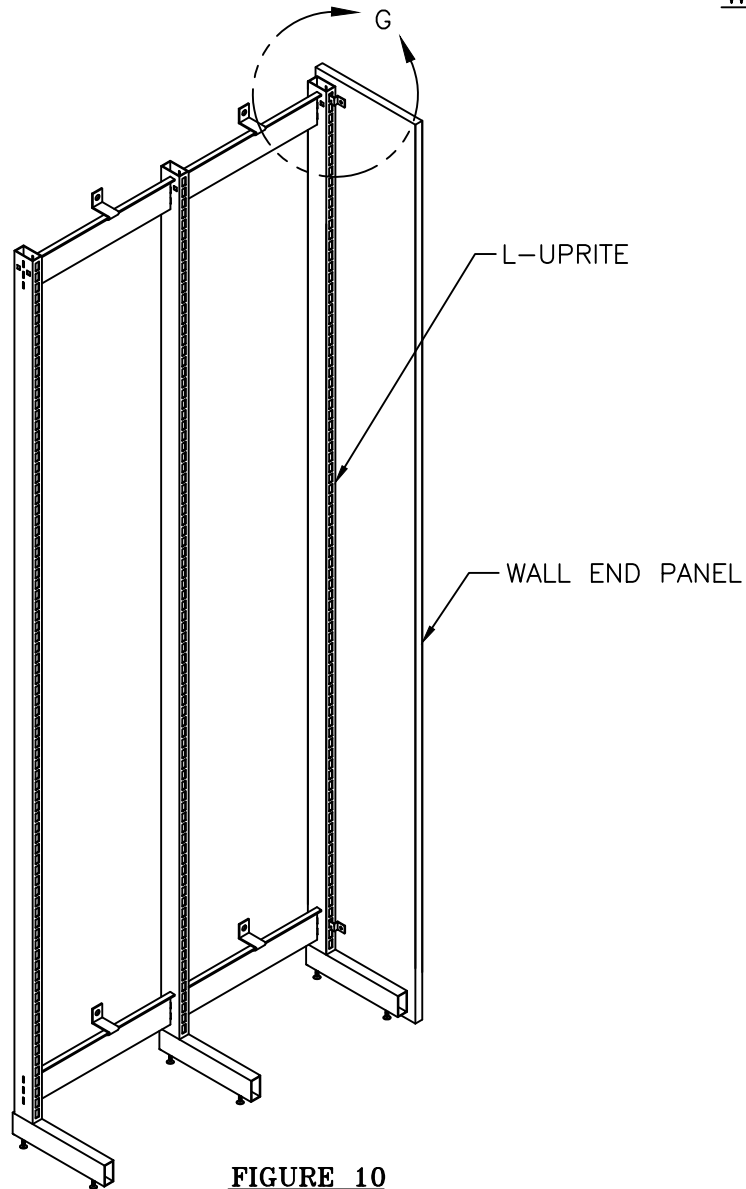
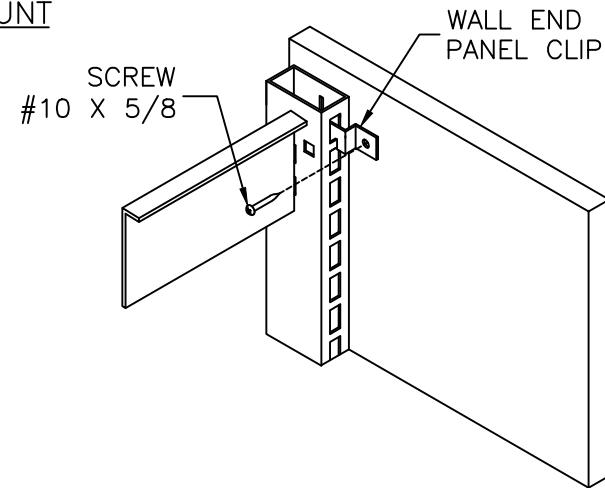
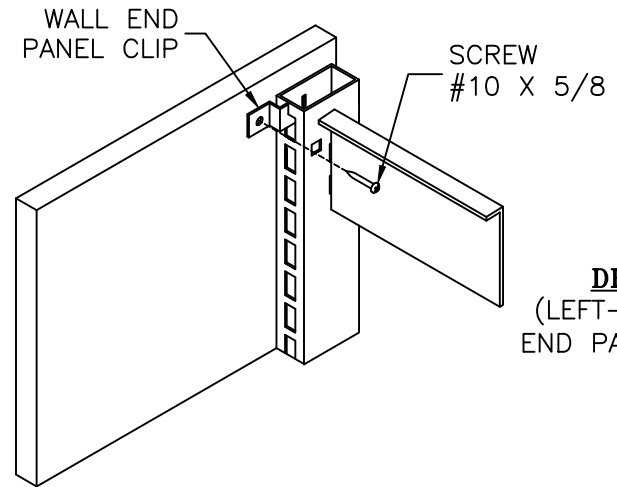


FIGURE 10



DETAIL G
(RIGHT-HAND WALL
END PANEL SHOWN)



DETAIL H
(LEFT-HAND WALL
END PANEL SHOWN)

STEP 4: Place Wall End Panel against wall and L-Uprite.

STEP 5: Install End Clip in bottom of Uprite slot and secure with screws provided (see Detail G).

NOTE: For left-hand Wall End Panel installation, invert Wall End Panel Clip and slide UP to catch top of slot (see Detail H).