

# INSTALLATION INSTRUCTIONS

## Hands-Free Door Pull - Foot Pull

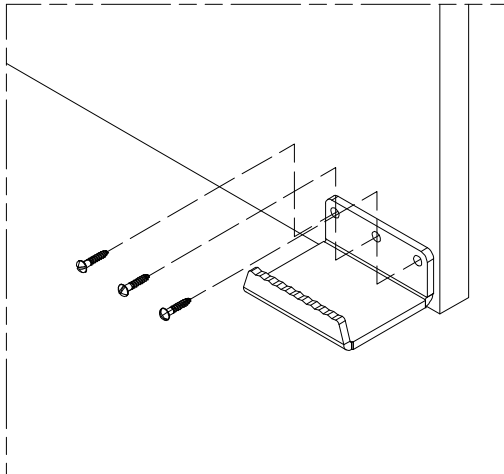


## WARNING



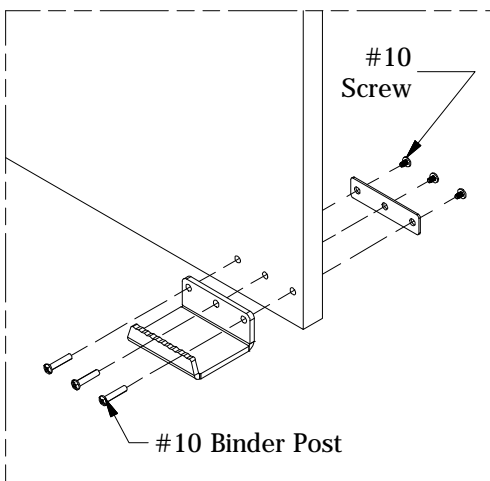
- **Mount with care to avoid injury or damage to property when door swings open**
- **Mount in accordance with federal, state, local regulations**
- **Ensure screws used are suitable for door thickness**
- **Remove any burrs or sharp edges generated by drilling/installing**

### Wood Screw Installation



- 1)** Place the doorpull against the door at the desired location. Recommended approximate height 1/4" from floor
- 2)** Fasten the doorpull to the door using #10 X Wood Screws (minimum 3/4" long)
- 3)** Affix "Hands-Free Door Opener" Label at a visible height

### Binder Post Installation



- 1)** Place the doorpull against the door at the desired location. Recommended approximate height 1/4" from floor
- 2)** Mark hole locations on the door in pencil
- 3)** Drill 5/16" holes where marked
- 4)** Fasten the doorpull to the door using #10 binder post screws and backer plate
- 5)** Affix "Hands-Free Door Opener" Label near door pull to direct how to use.