

INSTALLATION INSTRUCTIONS

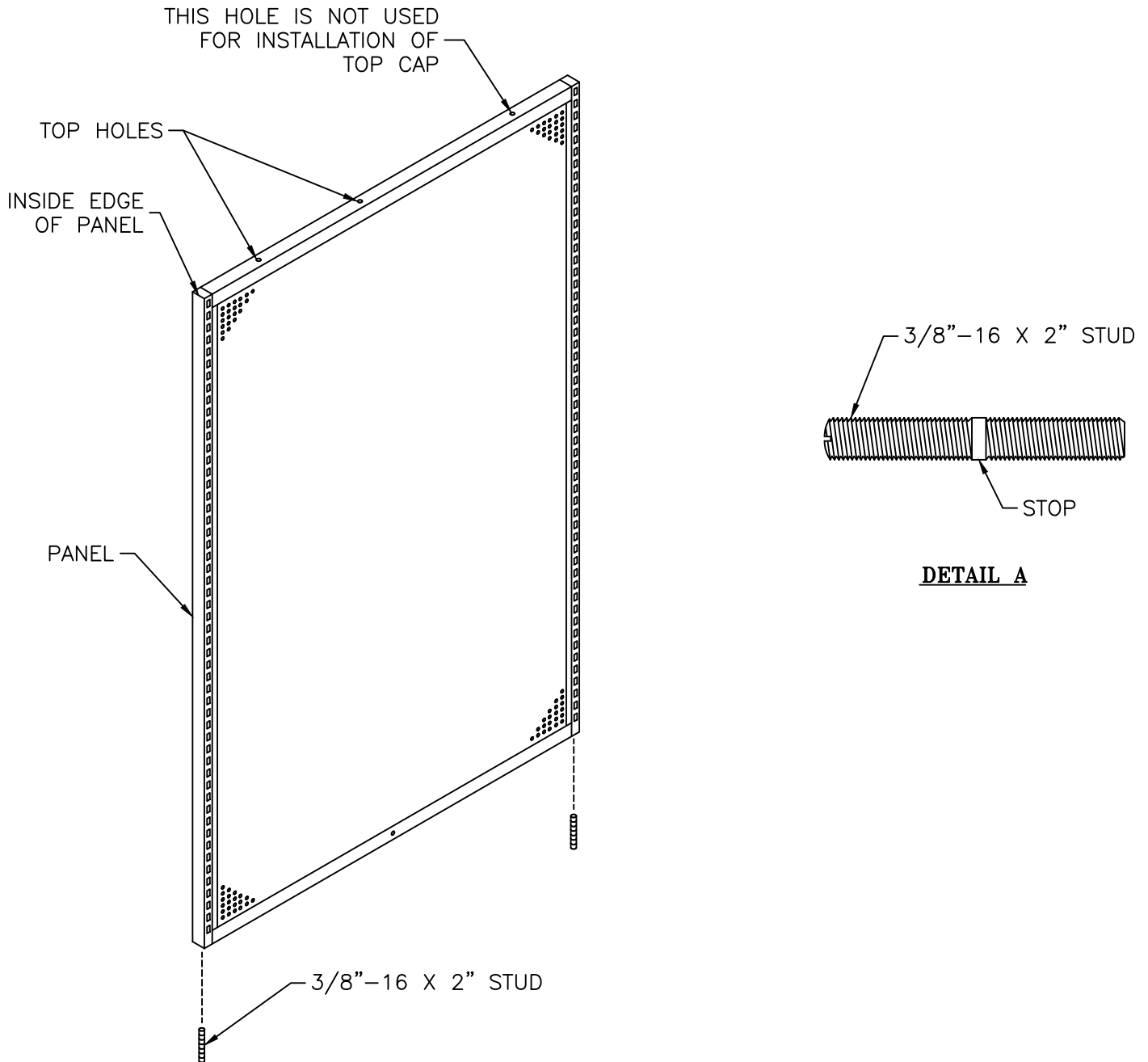
FOUR-WAY DISPLAY CASTER KIT

NOTE – LOAD CAPACITY:

This Display Unit has a maximum load capacity of 300 pounds on each individual panel. The total maximum load capacity for the assembled 4-panel unit is 1000 pounds.

STEP 1: Screw (8) 3/8"–16 X 2" full threaded Studs into weldnuts on bottom of Panels, until stop on Stud meets Panel. See Detail A

NOTE: The slotted end of the Stud can be used with a screwdriver for ease of installation.



INSTALLATION INSTRUCTIONS

FOUR-WAY DISPLAY CASTER KIT

- STEP 2:** Install Locking Casters into threaded holes (second hole from end of leg) of Base. Nom. sizes 24 and smaller will have (4) casters; nom. sizes 30 and larger will have (5) casters.
- STEP 3:** Position Panels on Base as shown, Studs will fit into holes (first hole from end of leg) on Base. Secure with 3/8-16 hex nut on the outer end of each leg.
NOTE: The top holes on Panels must be towards the center of the Base.
- STEP 4:** Secure the Top Cap with #10 X 3/4" Sheet Metal Screws.

