

INSTALLATION INSTRUCTIONS

ACCESSORY PANEL CONNECTOR FOR FULL HEIGHT WING TO WALL END DISPLAY

STEP 1: Install Wall End Display according to installation instructions 01-13. Install uprite hairpins, but DO NOT install WEDER, yet.

STEP 2: Install the base angle by saddling it over the base end trim (reference Figure 1).

STEP 3: Place full height accessory panel into the base angle. Then, install the top connector by aligning the top connector holes with pilot holes in the full height accessory panel and secure with two #10-32 tapping screws (reference Figure 2).

STEP 4: Install WEDER according to installation instructions 84235. The WEDER will saddle over the top connector. Align clearance hole #2 in the top connector before fastening the 1/4-20 machine screw into the uprite insert (reference Figure 2).

MAXIMUM LOAD CAPACITY ON FULL HEIGHT ACCESSORY PANEL: 400 LBS.

MAXIMUM FULL HEIGHT ACCESSORY PANEL WIDTH: 36".

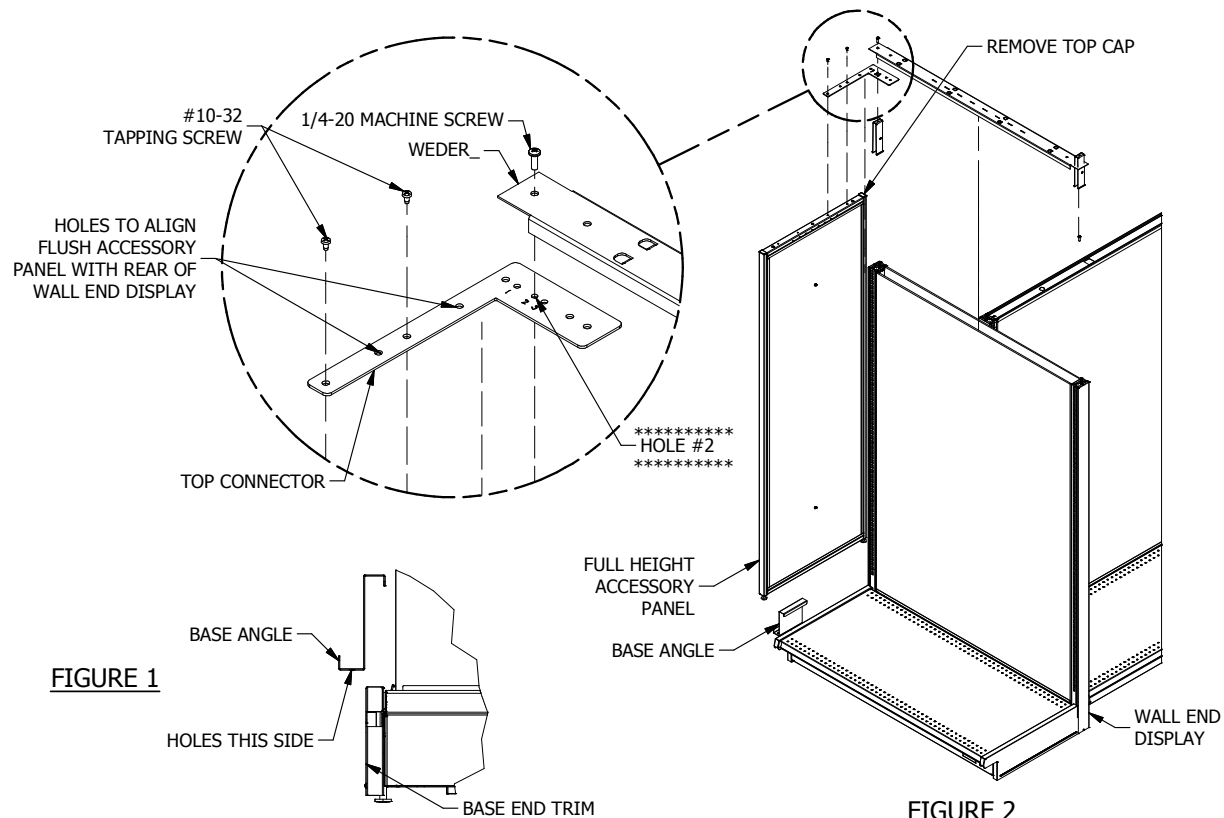


FIGURE 1

FIGURE 2