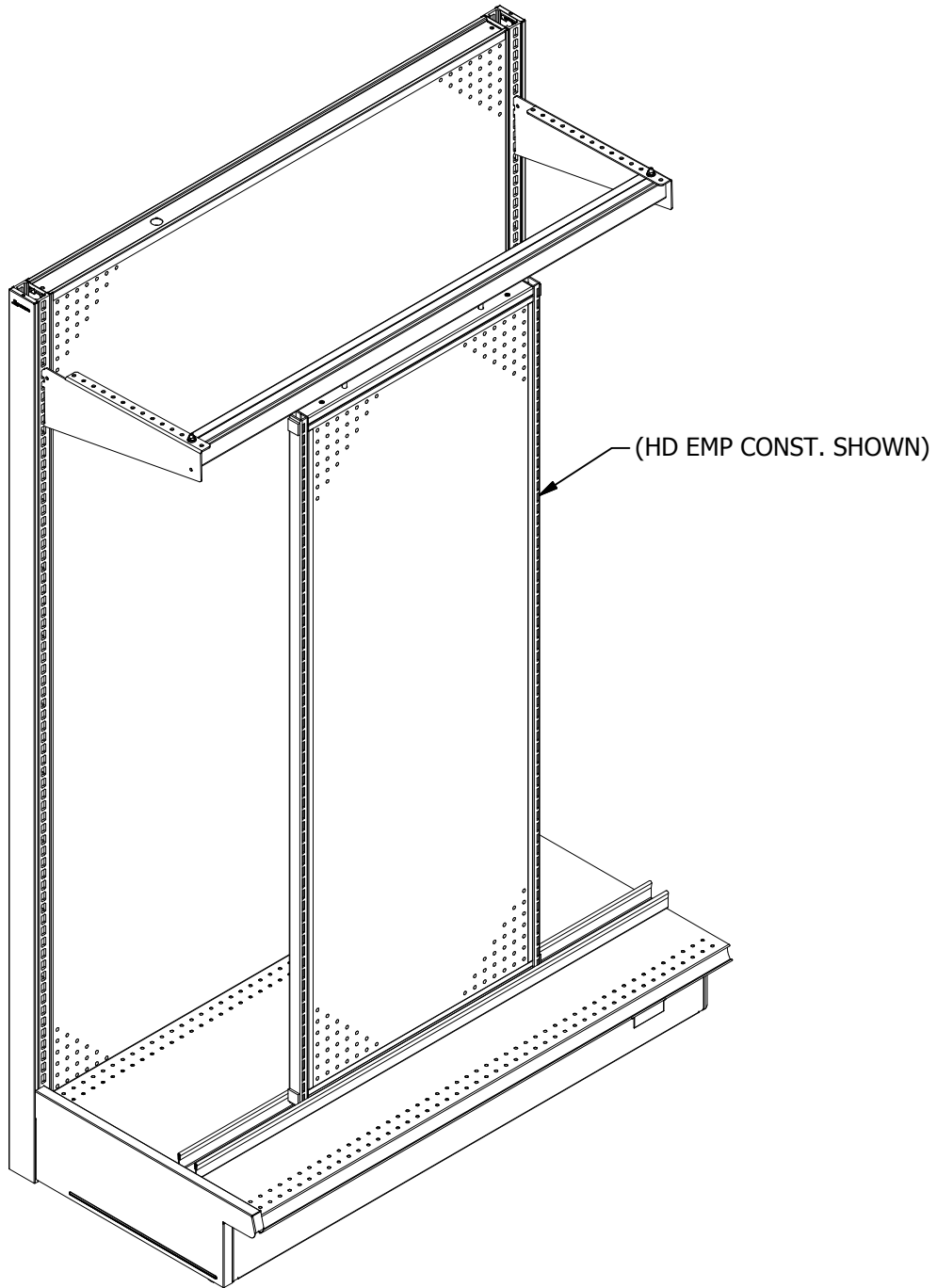


INSTALLATION INSTRUCTIONS

SLIDING DISPLAY PANELS



LOAD RATING

-125 LBS / PANEL MAX (GRID, NO FRAME CONST.)

-200 LBS / PANEL MAX (HD EMP FRAME CONST.)

-200 LBS / TOP SHELF



-400 LBS MAX / UNIT (COMBINED LOAD FOR ALL SLIDING PANELS AND TOP SHELF)

-BRACKETS / PANELS NOT TO BE USED ON EXTENSION UPRITES.

INSTALLATION INSTRUCTIONS

SLIDING DISPLAY PANELS

STEP 1: Assemble gondola/wall section per installation instruction 01-13. DO NOT INSTALL SHELVES. Also it is very important that the gondola section be leveled precisely. See instruction 01-13 for proper leveling detail.

STEP 2: Install brackets into uprites per FIGURE 1.

NOTE: If nominal uprite height and nominal panel height are the same, then brackets will end up in the top slot.

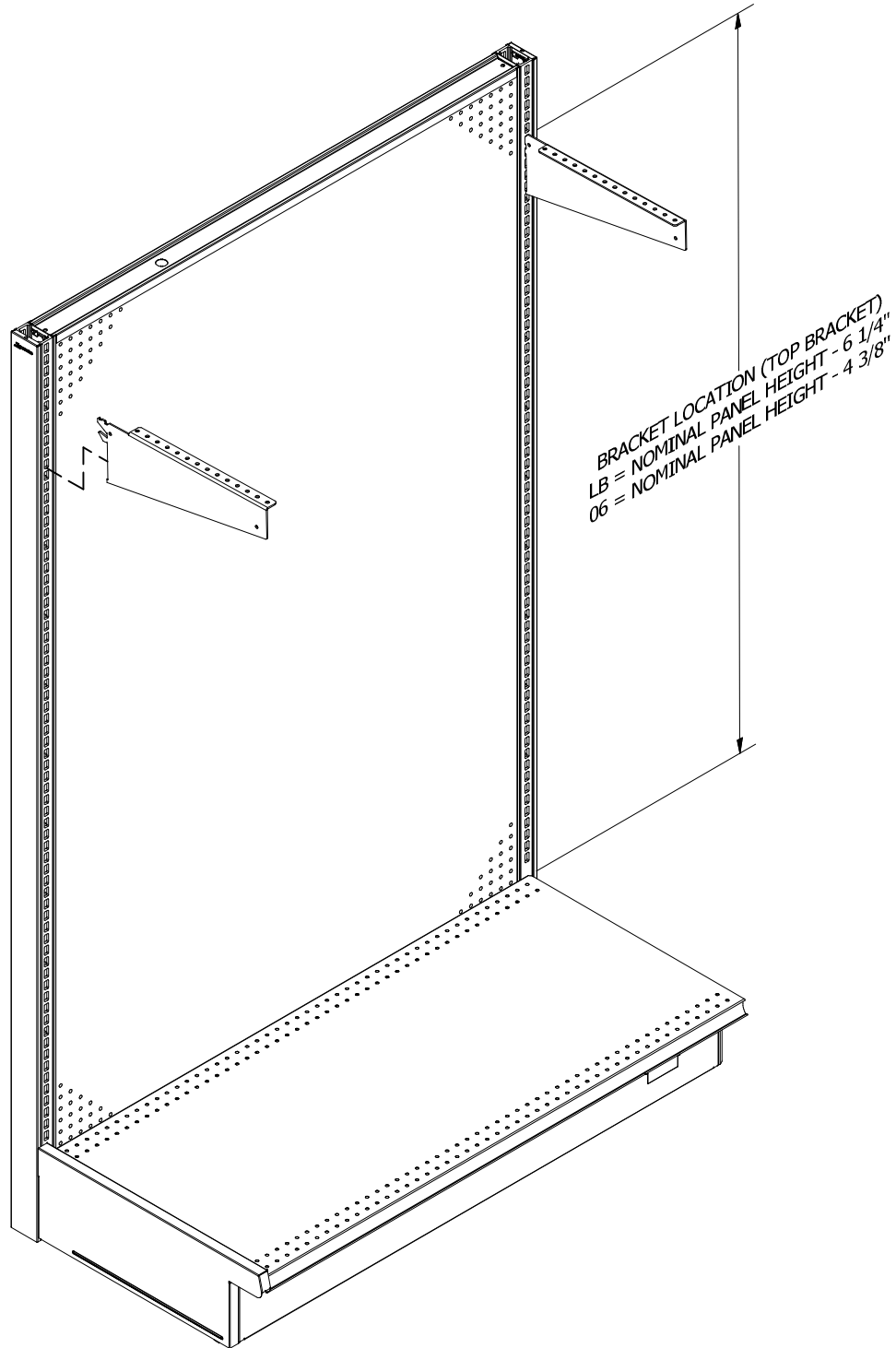


FIGURE 1

INSTALLATION INSTRUCTIONS

SLIDING DISPLAY PANELS

STEP 3: Determine locations for upper and lower tracks based on your specific layout and guidelines in FIGURE 2.

NOTE: Peg hooks should not extend beyond base deck.

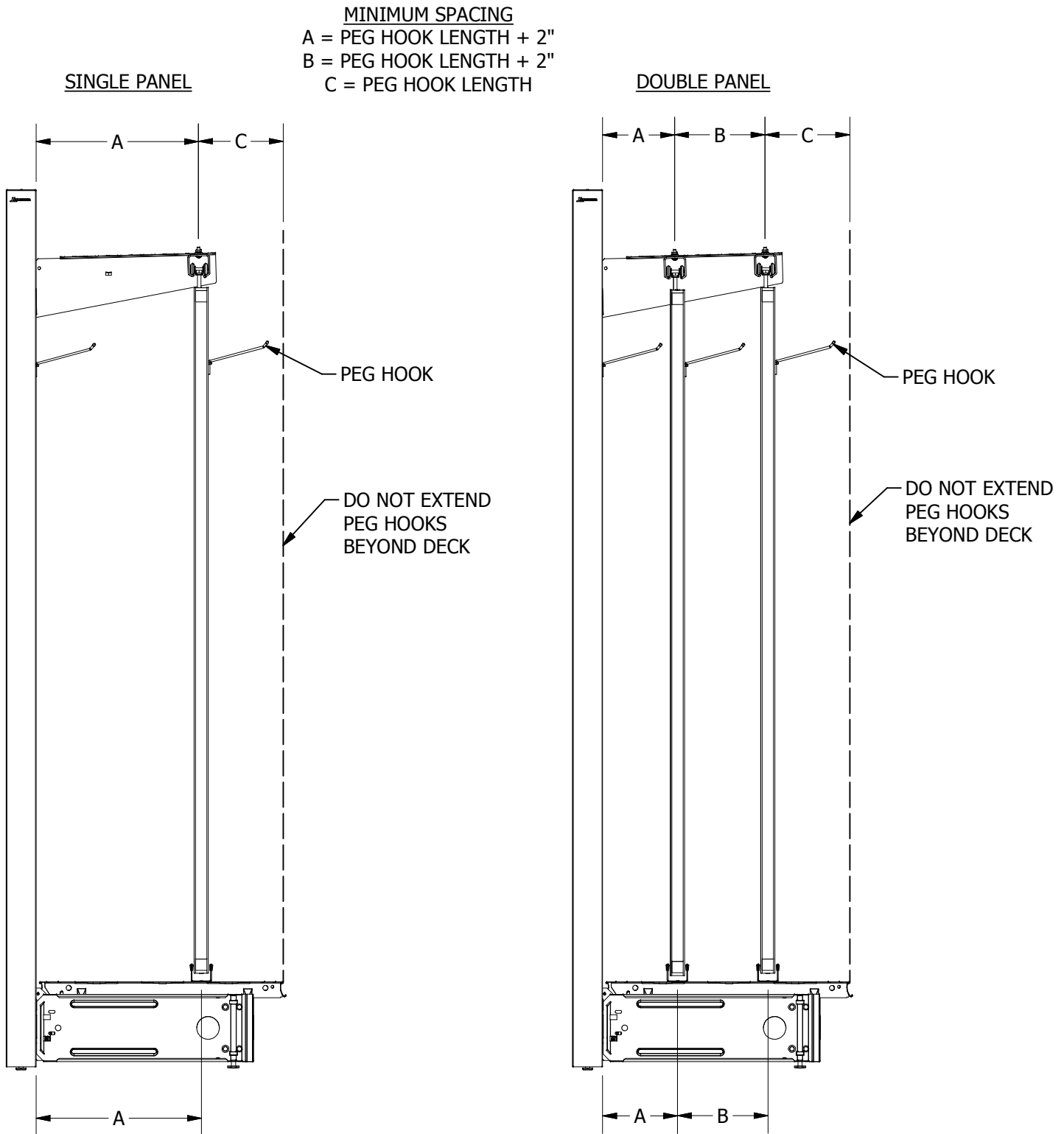


FIGURE 2

INSTALLATION INSTRUCTIONS

SLIDING DISPLAY PANELS

DO NOT INSTALL
HARDWARE ON
THIS SIDE YET

STEP 4: Based on layout as determined by STEP 3, install upper and lower tracks as shown.

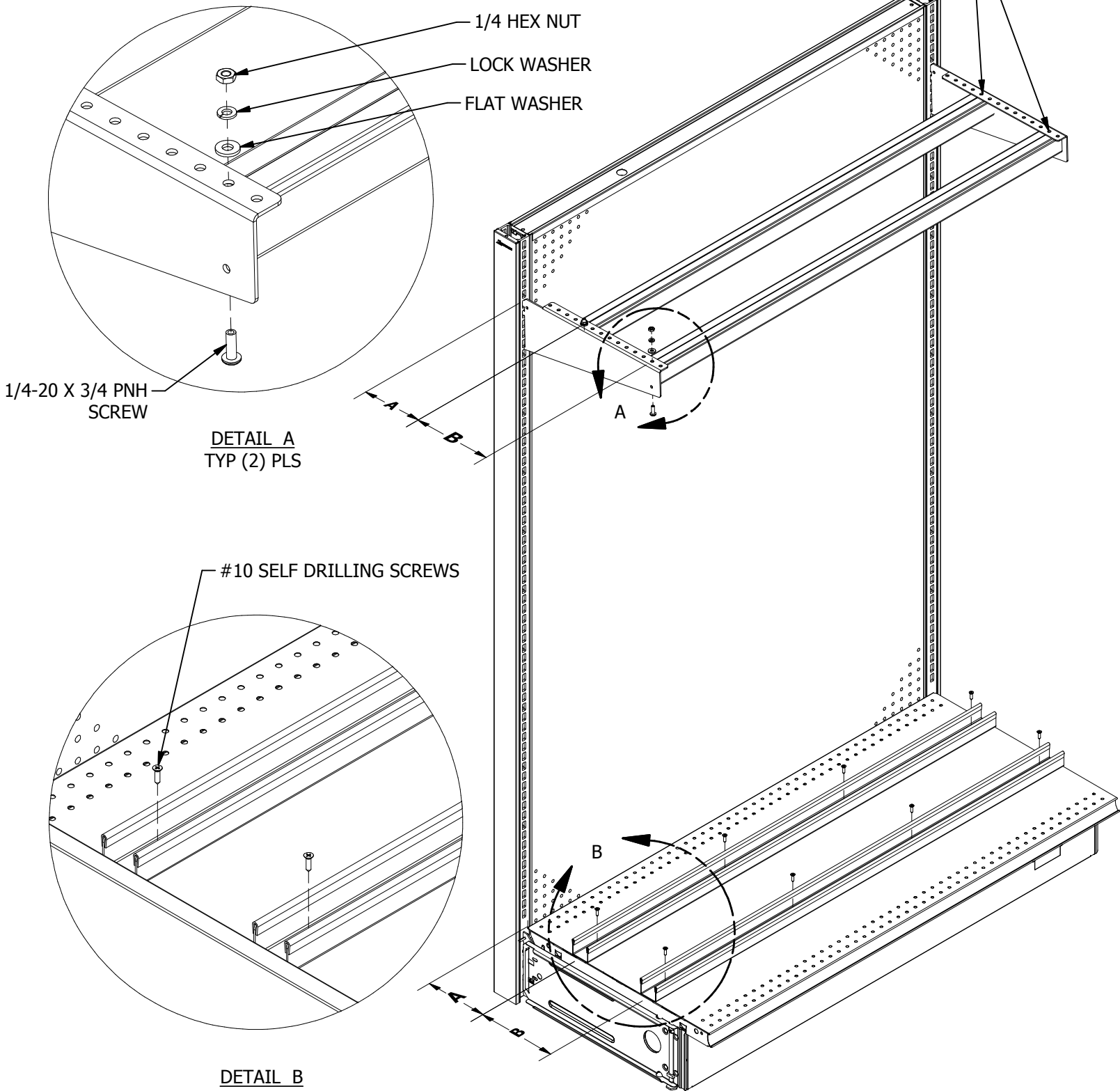


FIGURE 3

INSTALLATION INSTRUCTIONS

SLIDING DISPLAY PANELS

STEP 5: Slide panels into tracks and complete track installation as shown in FIGURE 4. Attach remaining end of track per DETAIL C.

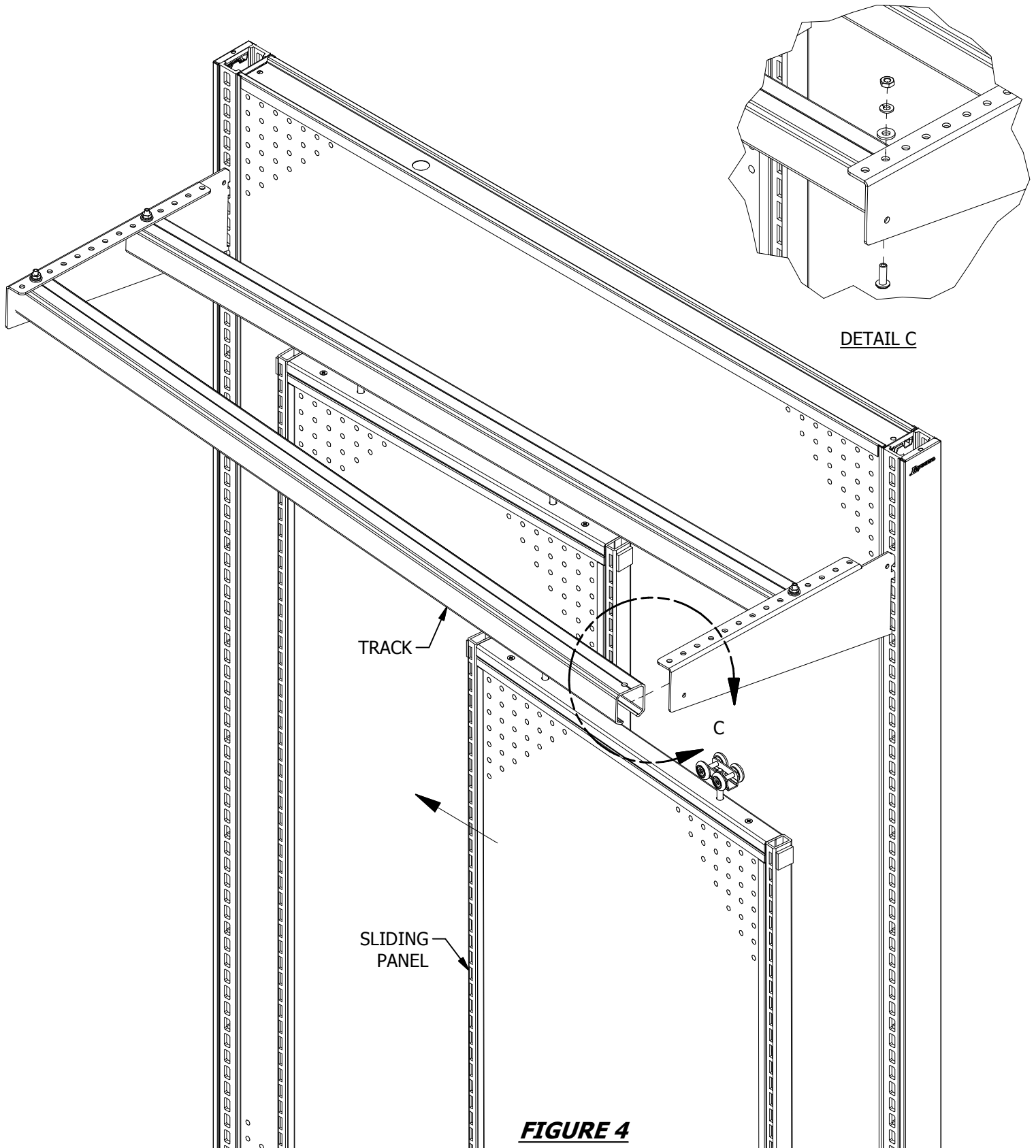


FIGURE 4

INSTALLATION INSTRUCTIONS

SLIDING DISPLAY PANELS

STEP 6: Install panel in lower track by lifting panel and setting bottom of panel inside lower track. Adjust roller heights to allow panel to engage lower track by approximately 1/4" as shown in Detail D.

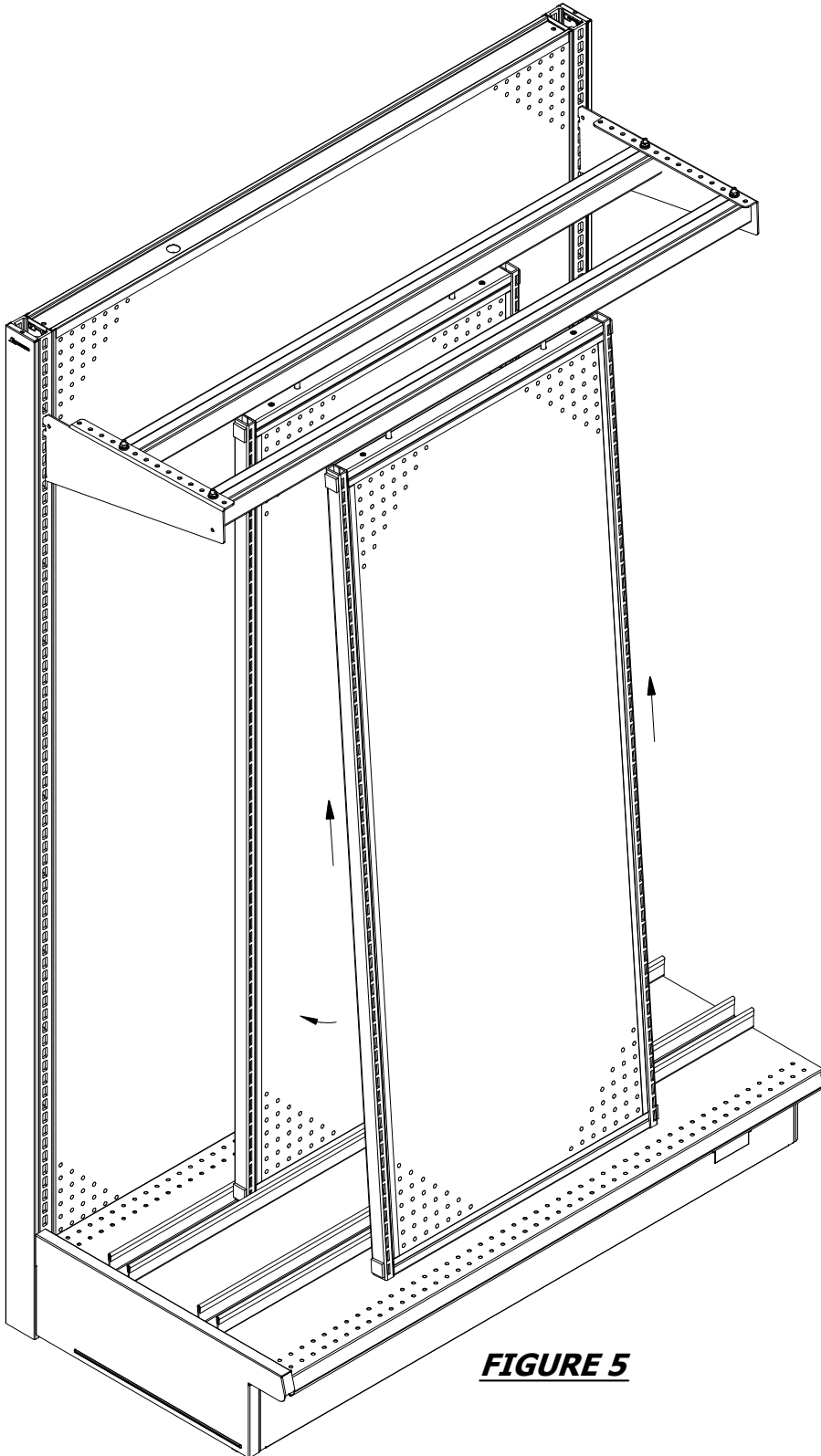
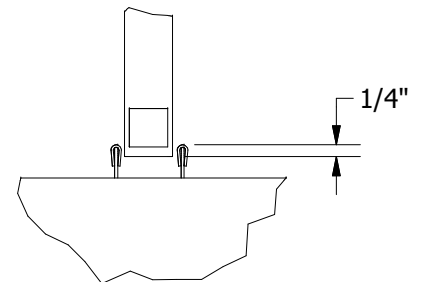
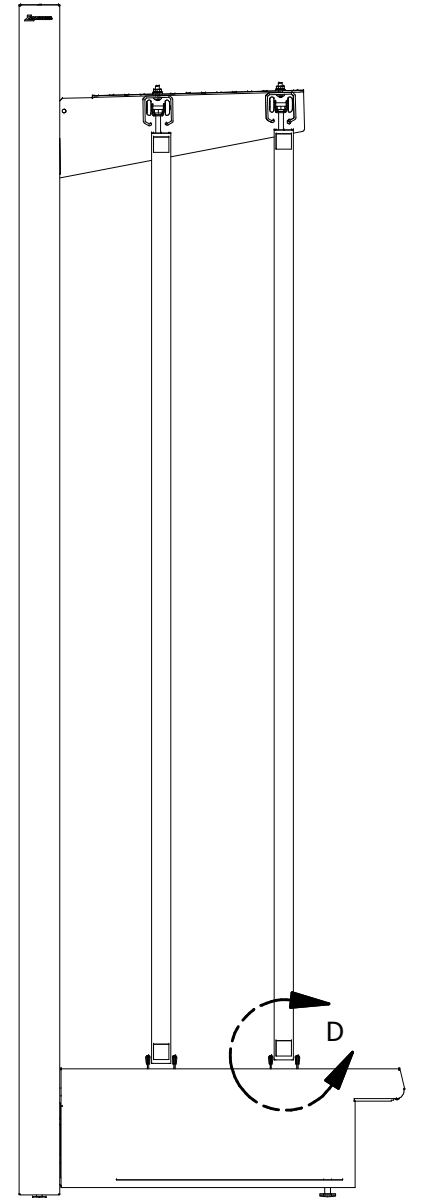


FIGURE 5



DETAIL D