

INSTALLATION INSTRUCTIONS

ACCESSORY PANEL CONNECTOR FOR INLINE WING OVER DECK

STEP 1: Install Wall End Display according to installation instructions 01-13. Install WEDER according to installation instructions 84235.

STEP 2: Place bottom connector onto deck. Place flush accessory panel inside bottom connector. Move flush accessory panel and bottom connector to the desired location and mark along both sides of the bottom connector with a pencil. Remove flush accessory panel and install bottom connector in the desired location with supplied hardware (reference Figure 1).

STEP 3: Place flush accessory panel back into bottom connector. Install the top connector by aligning the top connector holes with pilot holes in the flush accessory panel and securing with two #10-32 x 3/8 tapping screws. Then, fasten the top connector to the WEDER with two #10-16 x 3/4 TEK screws (reference Figure 2).

MAXIMUM LOAD CAPACITY ON FLUSH ACCESSORY PANEL: 400 LBS.

MAXIMUM FLUSH ACCESSORY PANEL WIDTH: 36".

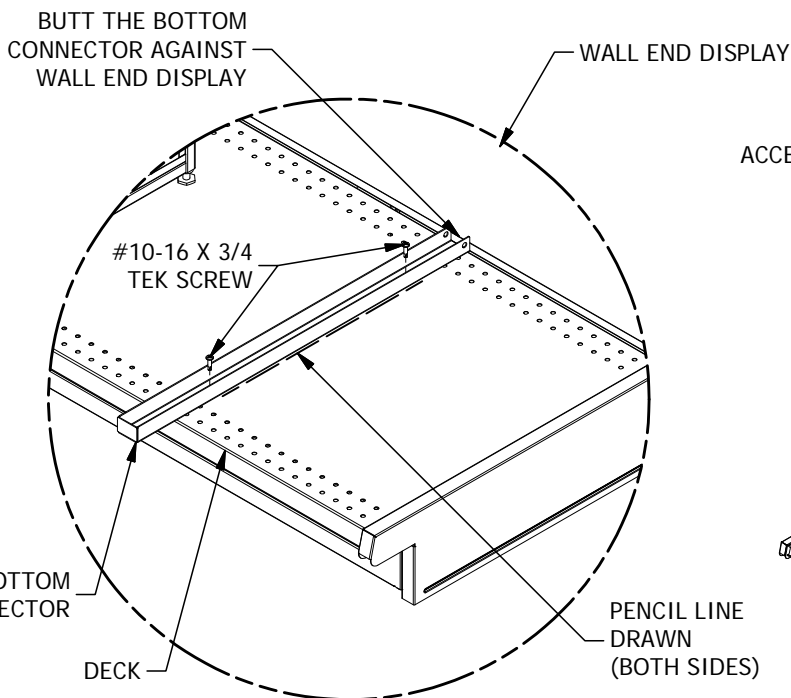


FIGURE 1

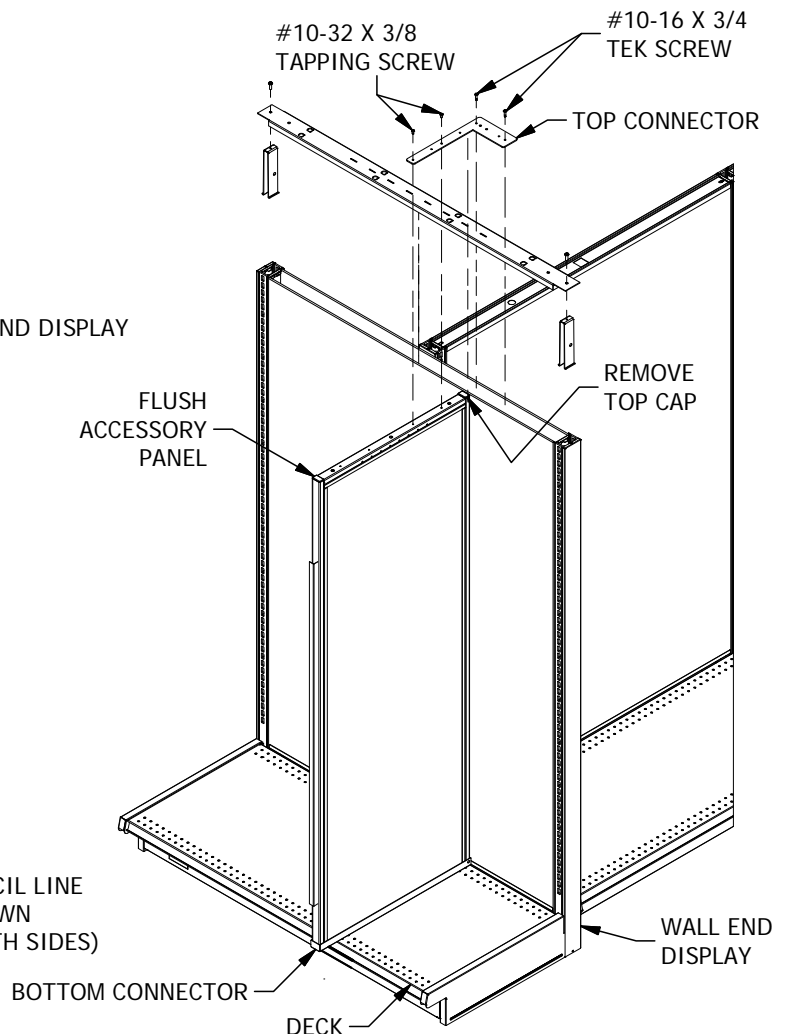


FIGURE 2