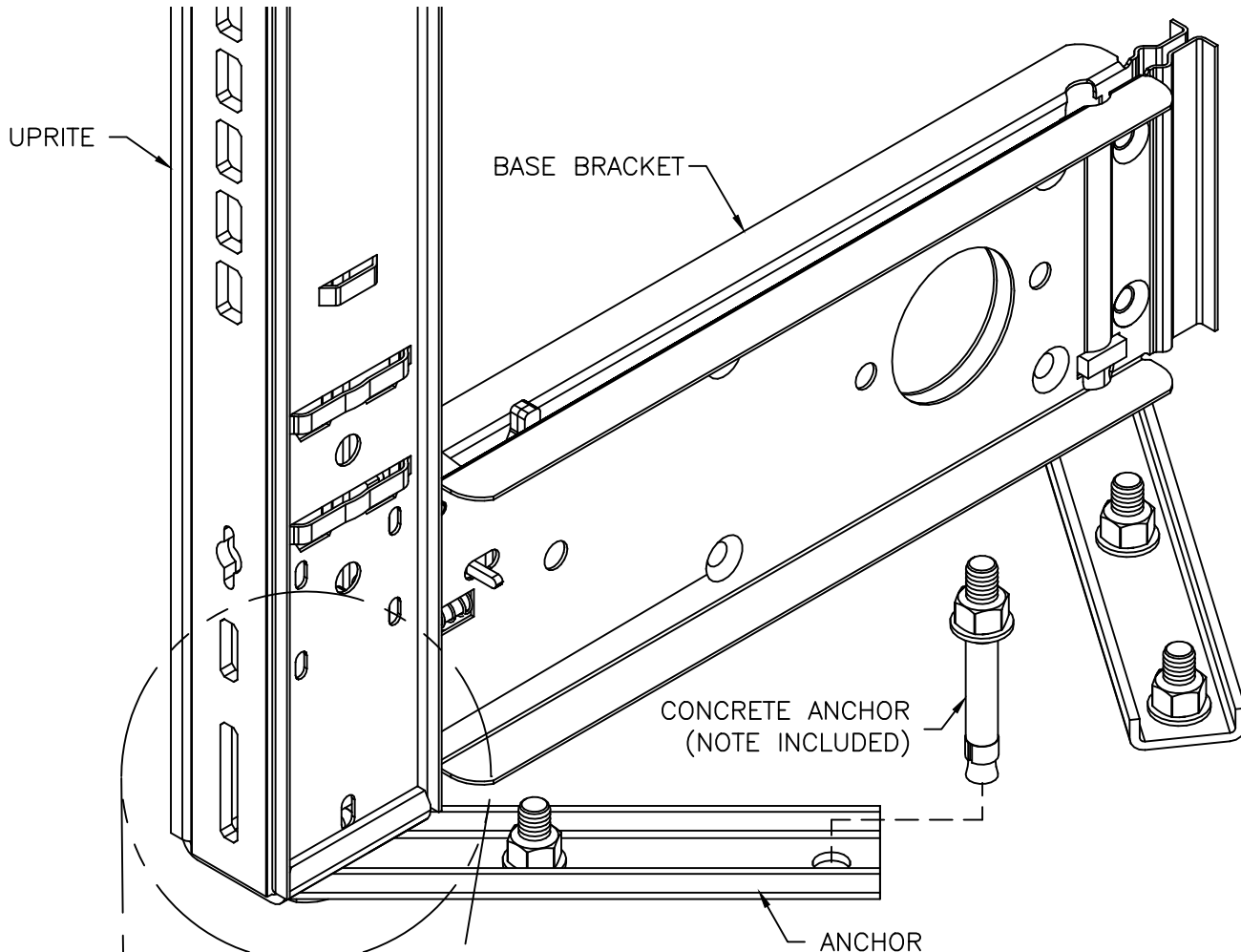


# INSTALLATION INSTRUCTIONS

## END UPRITE ANCHOR

- STEP 1:** Leveling Leg must be extended to accommodate anchor. (See Installation Instruction 01-13 for leveling).
- STEP 2:** Place anchor over uprite leveling bolt and base bracket leveling bolt as shown and secure to floor as shown.
- STEP 3:** Complete installation of decks and shelving.

**NOTE:** System will have to be leveled to sufficient height to fit channel over leveling leg.



**FIGURE 1**

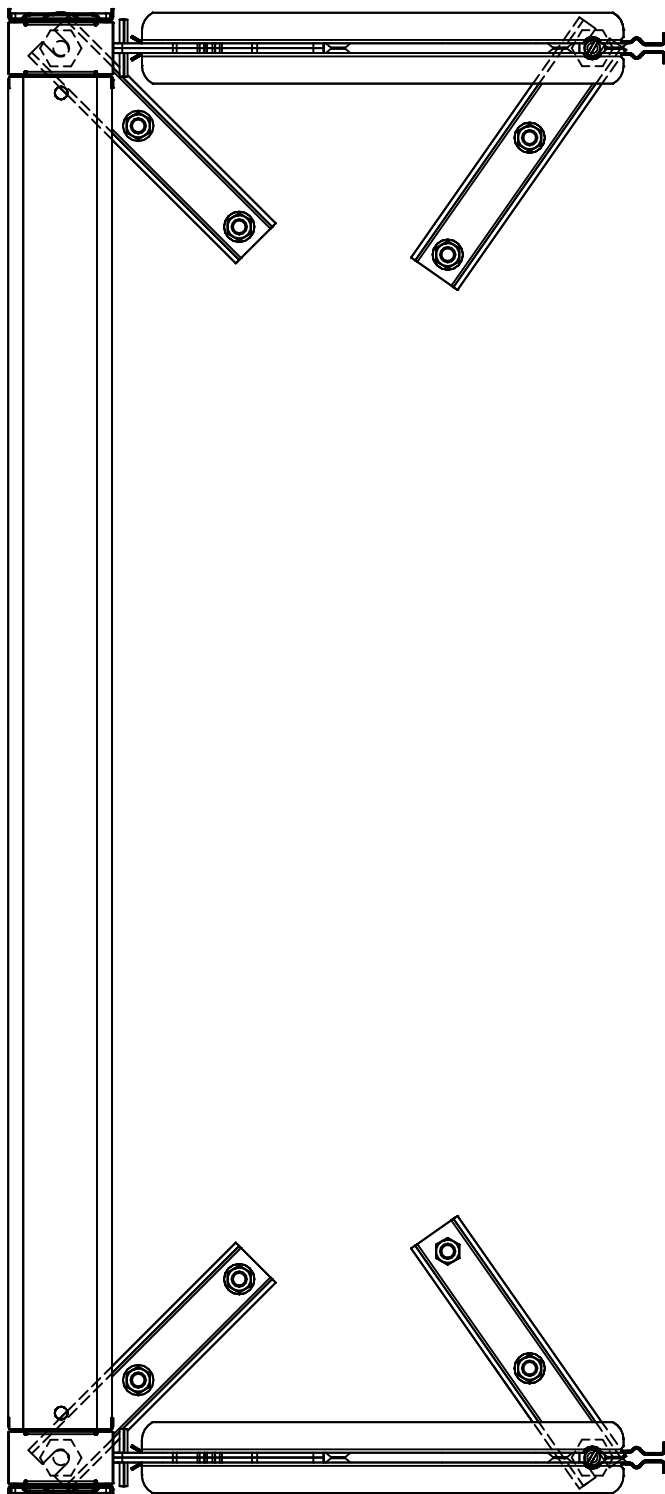
**WARNING:**  
ANCHOR MUST BE INSTALLED WITH LEGS FACING UPWARD.

**NOTE:**  
FOR POSITIONING APPLICATIONS USE WEDGE ANCHORS WITH 2" MINIMUM EMBEDMENT. FOR SEISMIC APPLICATIONS CONSULT A SEISMIC ENGINEER FOR SPECIFIC ANCHOR SIZE/TYPE INSTALLATION DETAILS.

MAKE SURE THAT OPEN SLOT IN ANCHOR FULLY ENGAGES LEVELING LEG.

# INSTALLATION INSTRUCTIONS

## END UPRITE ANCHOR



END ANCHOR CONFIGURATION