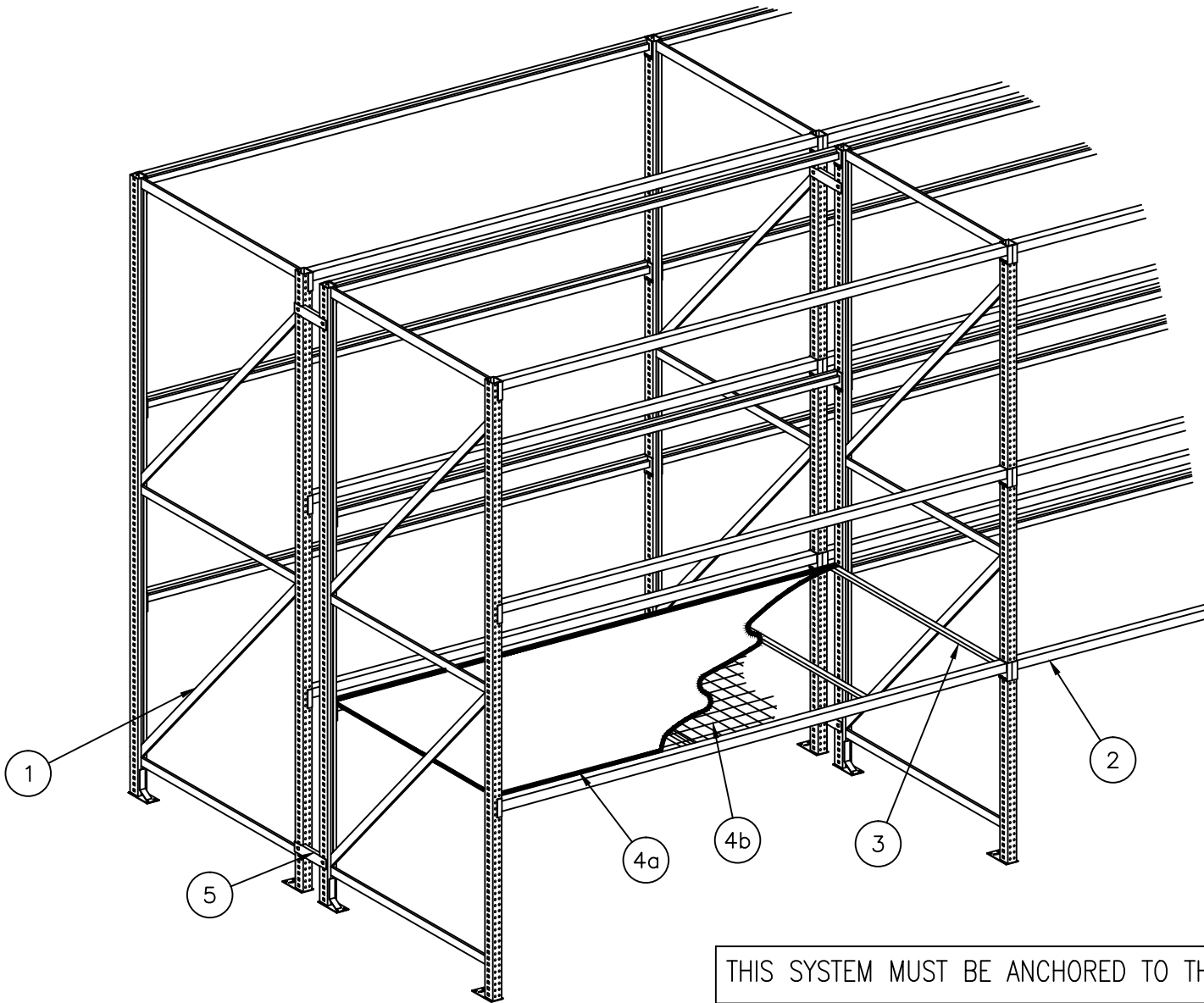


INSTALLATION INSTRUCTIONS

PALLET RACK – STANDARD LOZIER
 –SAVE THIS DOCUMENT FOR FUTURE REFERENCE–



THIS SYSTEM MUST BE ANCHORED TO THE FLOOR

PLEASE NOTE: PERSONNEL MUST BE PROVIDED WITH SAFE ACCESS TO ALL ELEVATIONS OF STORAGE EQUIPMENT OR DISPLAY FIXTURES VIA LADDERS, STAIRWAYS, OR OTHER MEANS IN ACCORDANCE WITH APPLICABLE OSHA REGULATIONS. IN NO CASE SHOULD ANYONE BE ALLOWED TO CLIMB OR STAND ON OR DISPLAY EQUIPMENT.

ITEM	PART NO.	DESCRIPTION
1	LPRU	PALLET RACK UPRITE FRAME
2	LPRB	PALLET RACK BEAM
3	LPRSS	PALLET RACK SHELF SUPPORT
4a	LPRPB	PALLET RACK PARTICLEBOARD DECKING
4b	LPRWDF	PALLET RACK WIRE DECKING
5	LPRRS	PALLET RACK ROW SPACER
6	LPRPS	PALLET RACK PALLET SUPPORT (NOT SHOWN)
7	LPRWT	PALLET RACK WALL TIE (NOT SHOWN)



6336 PERSHING DRIVE
 OMAHA, NEBRASKA 68110
 (800) 228-9882

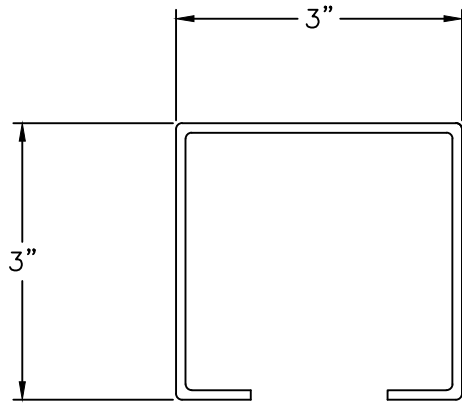
01-151 REV. T
 LZPA104 5-16-17
 PAGE 1 OF 12

INSTALLATION INSTRUCTIONS

PALLET RACK – STANDARD LOZIER

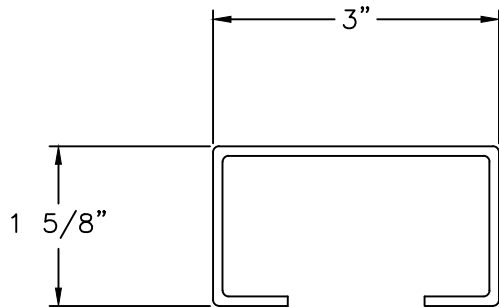
PARTS IDENTIFICATION (CONT.)

1) PALLET RACK UPRITE FRAME



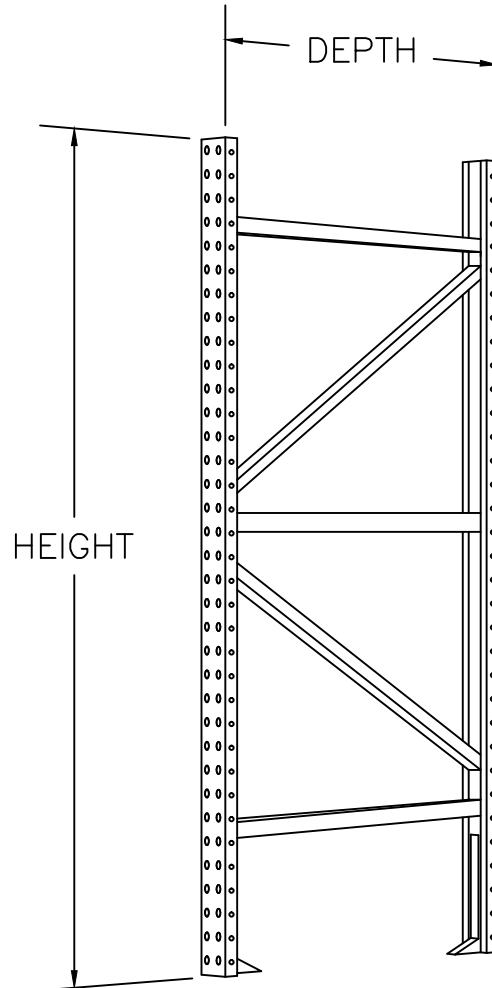
HEAVY DUTY
LPRU-H

CAPACITY-27,000 LBS, FRAME
CAPACITY AT 48" MAX.
VERTICAL BEAM SPACING



STANDARD DUTY
LPRU-S

CAPACITY-17,100 LBS, FRAME
CAPACITY AT 48" MAX.
VERTICAL BEAM SPACING



EXAMPLE PART NUMBER

LPRU 42 144 S

- POST STYLE: H=HEAVY DUTY, S=STD. DUTY
- HEIGHT: 72" - 144"
- DEPTH: 24" - 48"
- PALLET RACK UPRITE

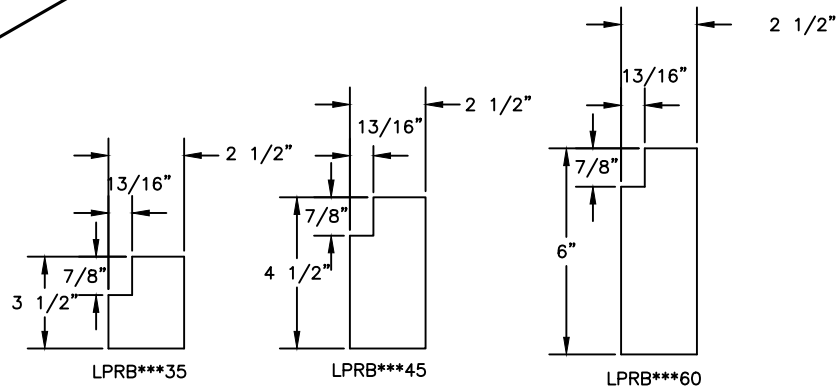
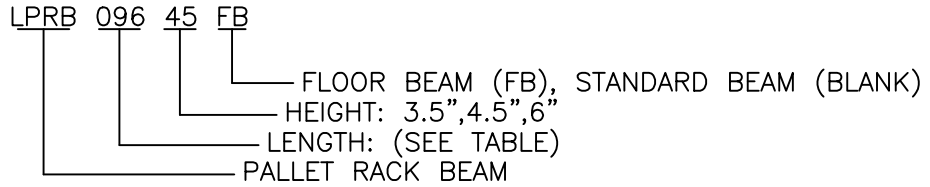
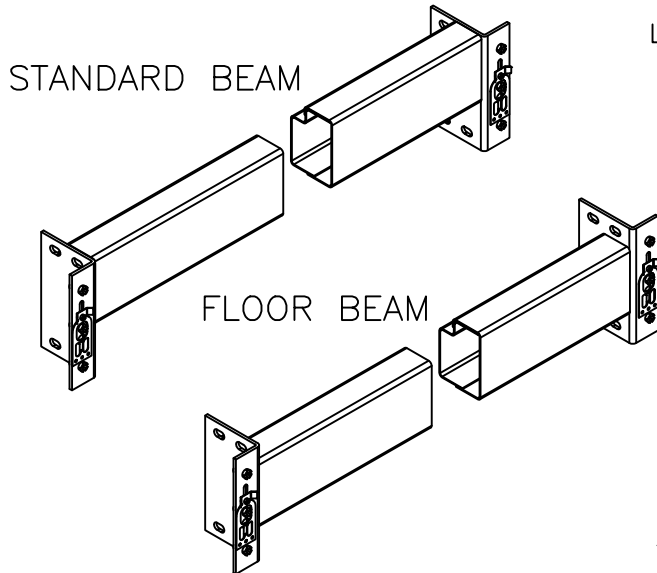
INSTALLATION INSTRUCTIONS

PALLET RACK – STANDARD LOZIER

PARTS IDENTIFICATION (CONT.)

2) PALLET RACK BEAM

EXAMPLE PART NUMBER



PALLET RACK BEAM CAPACITIES (LB/PAIR OF BEAMS)

LGTH.	PART NUMBER		
	LPRB***35	LPRB***45	LPRB***60
36"	9,867	10,000	16,000
42"	8,457	10,000	16,000
48"	7,400	10,000	16,000
54"	6,600	10,000	16,000
60"	5,900	9,600	14,400
66"	5,400	8,700	13,000
72"	5,000	8,000	12,000
78"	4,500	7,300	11,000
84"	4,200	6,900	10,300
90"	4,000	6,400	9,600
96"	3,700	6,000	9,000
99"	3,500	5,300	8,800
108"	3,000	5,300	8,000
120"	2,400	4,700	7,200
132"	2,000	3,400	6,500
144"	1,600	3,200	6,000

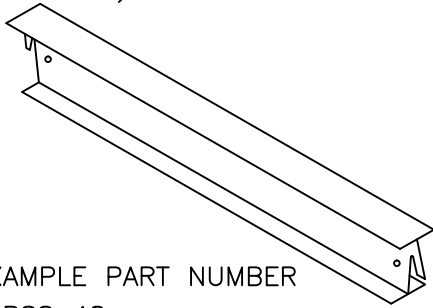


INSTALLATION INSTRUCTIONS

PALLET RACK – STANDARD LOZIER

PARTS IDENTIFICATION (CONT.)

3) PALLET RACK SHELF SUPPORTS



EXAMPLE PART NUMBER

LPRSS 48

LENGTH (SEE CHART)
PALLET RACK SHELF SUPPORT

PALLET RACK SHELF SUPPORT CAPACITY	
LGTH.	CAPACITY (each)
24"	1,200
30"	1,200
36"	1,200
42"	1,100
44"	1,100
48"	1,000

SHELF CAPACITIES WITH SPECIFIED NO. SHELF SUPPORTS

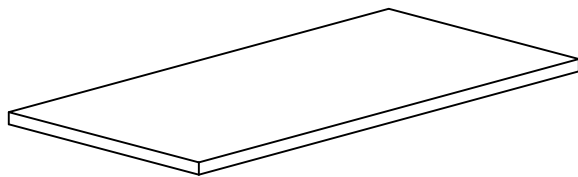
AVAILABLE CAPACITY ON FLAT WIRE DECKING OR PARTICLEBOARD DECKING USING THE SPECIFIED NUMBER OF SHELF SUPPORTS INDICATED (IN LBS.).
NOTE: THE RATED LOAD CAPACITY PER PAIR OF BEAMS MUST BE EQUAL TO OR EXCEED THE RATED SHELF CAPACITY.

FRAME DPTH.	BEAM LGTH.	NO. OF SUPPORTS			FRAME DPTH.	BEAM LGTH.	NO. OF SUPPORTS		
		2	4	6			2	4	6
24"	48"	2400	4800	—	42"	48"	2400	4800	—
	72"	2400	4800	7200		72"	2400	4800	7200
	96"	2400	4800	7200		96"	2400	4800	7200
	99"	—	4800	7200		99"	—	4800	7200
	108"	—	—	7200		108"	—	—	7200
	120"	—	—	7200		120"	—	—	7200
30"	48"	2400	4800	—	44"	48"	2200	4400	—
	72"	2400	4800	7200		72"	2200	4400	6600
	96"	2400	4800	7200		96"	2200	4400	6600
	99"	—	4800	7200		99"	—	4400	6600
	108"	—	—	7200		108"	—	—	6600
	120"	—	—	7200		120"	—	—	6600
36"	48"	2400	4800	—	48"	48"	2000	4000	—
	72"	2400	4800	7200		72"	2000	4000	6000
	96"	2400	4800	7200		96"	2000	4000	6000
	99"	—	4800	7200		99"	—	4000	6000
	108"	—	—	7200		108"	—	—	6000
	120"	—	—	7200		120"	—	—	6000

ALL LOAD CAPACITIES BASED ON A STATIC EVENLY DISTRIBUTED LOAD.

4) PALLET RACK DECKING

A) 5/8" PARTICLEBOARD DECKING

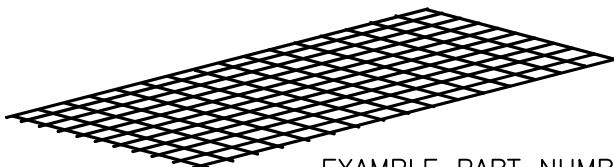


EXAMPLE PART NUMBER

LPRPB 44 96

BEAM LENGTH
FRAME DEPTH
PALLET RACK PARTICLEBOARD DECK

B) FLAT WIRE DECKING



EXAMPLE PART NUMBER

LPRWDF 48 96

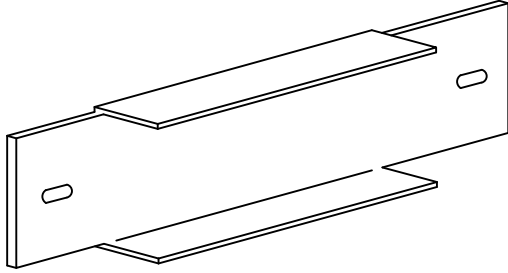
BEAM LENGTH
FRAME DEPTH
PALLET RACK WIRE DECK FLAT

NOTE: IF PALLETS WILL REST ON BEAMS, TWO SHELF SUPPORTS CAN BE USED.

INSTALLATION INSTRUCTIONS

PALLET RACK – STANDARD LOZIER

PARTS IDENTIFICATION (CONT.) 5) PALLET RACK ROW SPACER

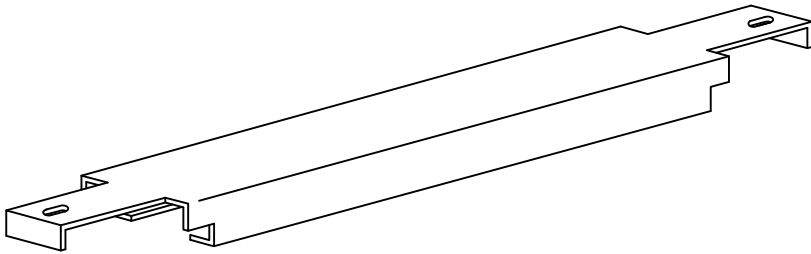


2 REQUIRED UP TO 96",
3 REQUIRED ON TALLER FRAMES.

EXAMPLE PART NUMBER

LPRRS 6L
LENGTH
PALLET RACK ROW SPACER

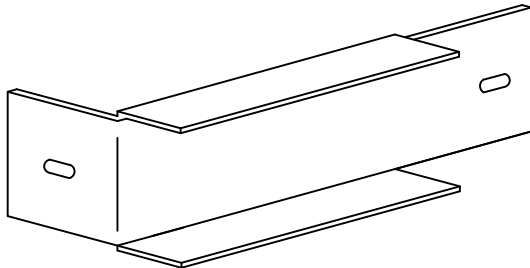
6) PALLET RACK PALLET SUPPORT TWO REQUIRED FOR EACH PALLET



EXAMPLE PART NUMBER

LPRPS 42
LENGTH
PALLET RACK PALLET SUPPORT

7) PALLET RACK WALL TIE



2 REQUIRED UP TO 96",
3 REQUIRED ON TALLER FRAMES.

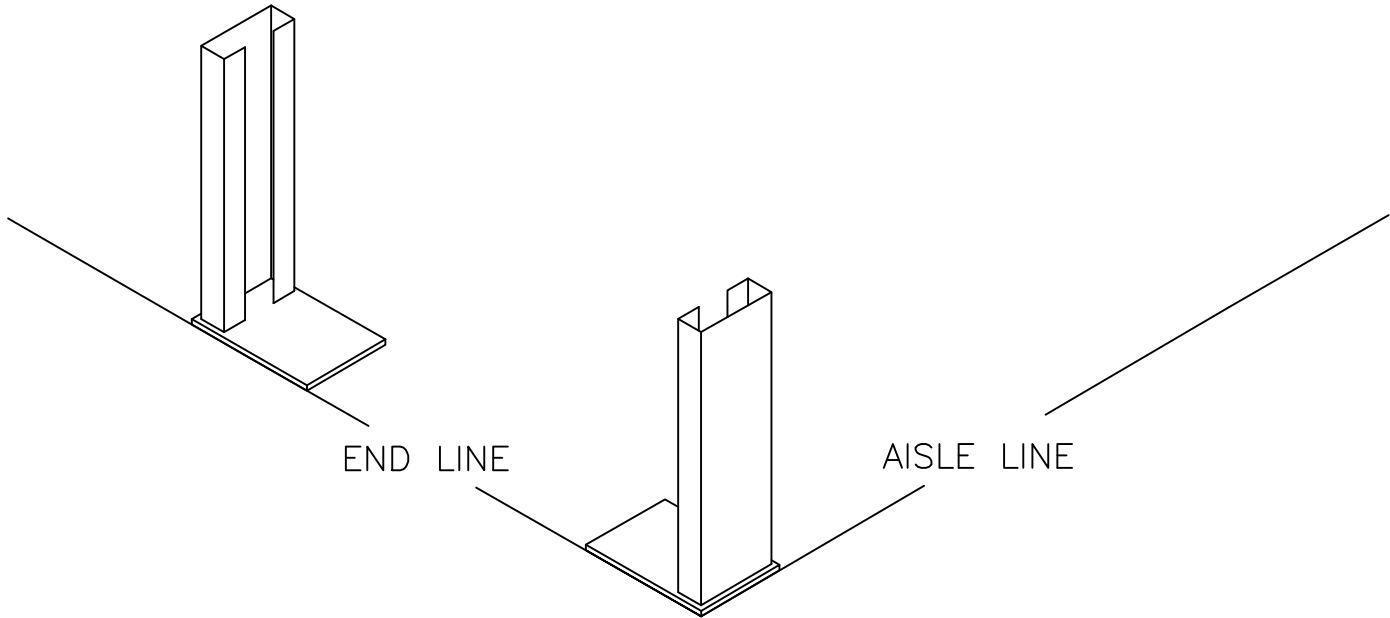
EXAMPLE PART NUMBER

LPRWT 6L
LENGTH
PALLET RACK WALL TIE

INSTALLATION INSTRUCTIONS

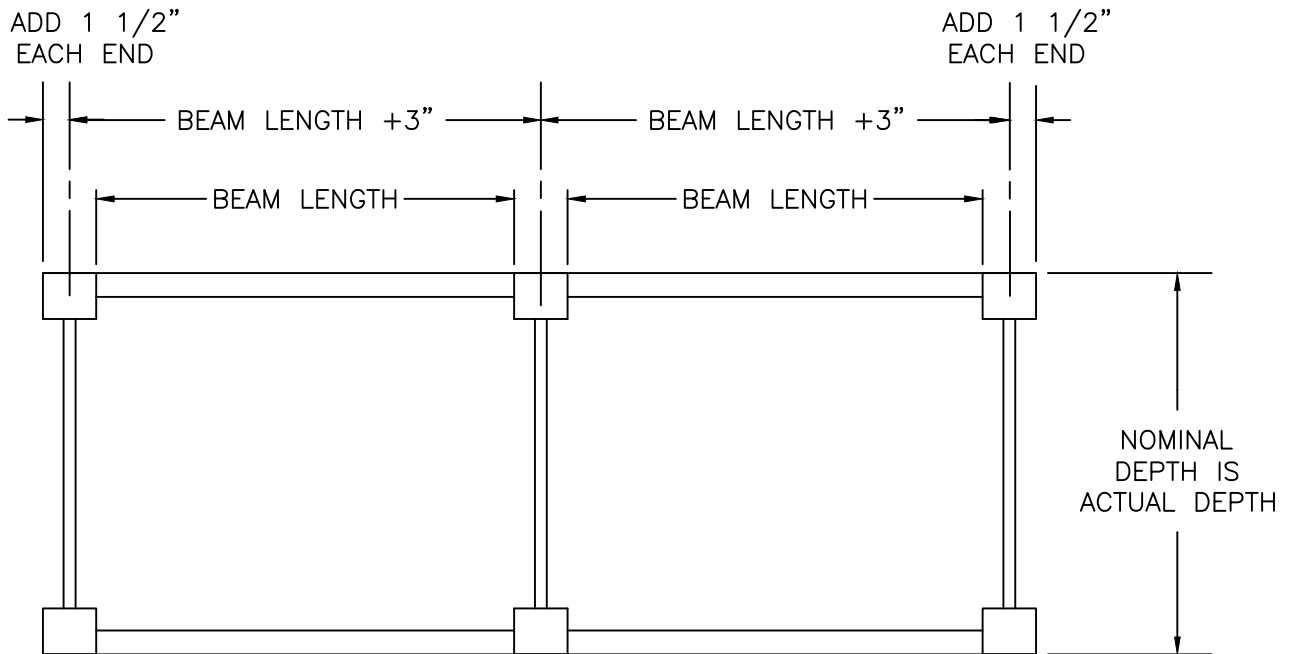
PALLET RACK – STANDARD LOZIER

1. DETERMINE LOCATION FOR PALLET RACK RUNS AND SNAP CHALK LINES FOR END OF RUN AND AISLE LINE.



AISLE LINE MUST BE SQUARE TO END OF RUN LINE.

- USE LAYOUT INFORMATION SHOWN BELOW TO DETERMINE LENGTH AND DEPTH OF RUNS OF RACK.

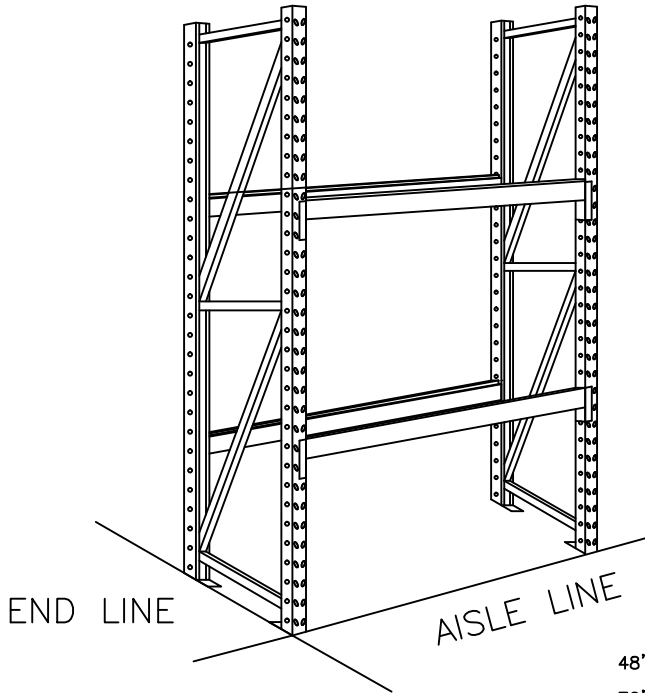


TOP VIEW

INSTALLATION INSTRUCTIONS

PALLET RACK – STANDARD LOZIER

2. ERECT FIRST PALLET RACK SECTION WITH 2 PAIRS OF BEAMS AS SHOWN.



TWO PAIRS OF BEAMS ARE REQUIRED TO HOLD FRAMES VERTICAL. THE UPPER PAIR SHOULD BE IN A DESIGNATED POSITION. THE LOWER PAIR MAY BE IN A DESIGNATED POSITION, BUT MUST HAVE SUFFICIENT CLEARANCE ABOVE FLOOR TO ALLOW FOR HEAVY DUTY DRILL OPERATION FOR ANCHORING.

NOTE: SHELF SUPPORTS TO BE SPACED ACCORDING TO CHARTS BELOW. NUMBER OF SHELF SUPPORTS IS DETERMINED BY DIVIDING THE DESIRED SHELF LOAD BY THE SHELF SUPPORT CAPACITY AND ROUNDING UP TO THE NEXT EVEN NUMBER.

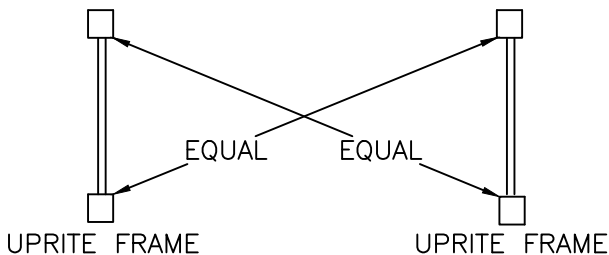
	2 SHELF SUPPORTS			4 SHELF SUPPORTS				
48" BEAMS	6"	36"	6"	6"	12"	12"	12"	6"
72" BEAMS	18"	36"	18"	6"	24"	12"	24"	6"
96" BEAMS	24"	48"	24"	8"	32"	16"	32"	8"
99" BEAMS	24 3/4"	48 1/2"	24 3/4"	8 1/4"	33"	16 1/2"	33"	8 1/4"

	6 SHELF SUPPORTS						
76" BEAMS	6"	12"	12"	12"	12"	12"	6"
96" BEAMS	8"	16"	16"	16"	16"	16"	8"
99" BEAMS	8 1/4"	16 1/2"	16 1/2"	16 1/2"	16 1/2"	16 1/2"	8 1/4"
108" BEAMS	9"	18"	18"	18"	18"	18"	9"
120" BEAMS	10"	20"	20"	20"	20"	20"	10"

NOTE: IF PALLETS REST ON BEAMS, TWO SHELF SUPPORTS CAN BE USED.

3. A. IF USING SHELVES, INSERT SHELF SUPPORTS AND SHELF ON DESIGNATED BEAM PAIR TO BE SURE SECTION IS SQUARE.

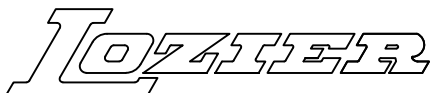
B. IF SHELVES WILL NOT BE USED, SQUARE UNIT BY EQUAL DIAGONALS AS SHOWN BELOW. MARK ANCHOR PLATE PERIMETERS.



NOTES: ALL FRAMES SHALL BE ANCHORED TO THE FLOOR. USE ONE ANCHOR PER POST, TWO PER UPRITE FRAME. ANCHOR TO FLOOR USING A WEDGE-STYLE ANCHOR SUITABLE FOR CONCRETE. ANCHOR MATERIAL, FINISH, DIAMETER AND EMBEDMENT SHALL BE DETERMINED BY THE CUSTOMER FOR THE SPECIFIC SITE REQUIREMENT.

THE MINIMUM ANCHOR DIAMETER SHALL BE 3/8" AND THE MINIMUM EMBEDMENT SHALL BE 1-1/2".

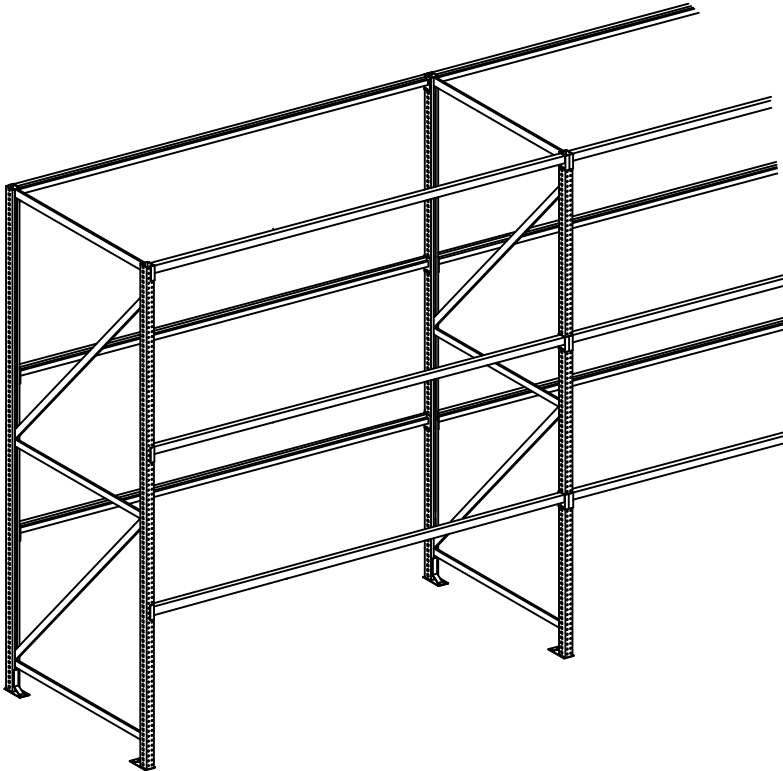
4. WHEN ASSURED SECTION IS SQUARED AND PROPERLY ALIGNED ON CHALKLINE, ANCHOR FRAMES TO FLOOR.



INSTALLATION INSTRUCTIONS

PALLET RACK – STANDARD LOZIER

5. INSTALL BEAMS AND SHELF SUPPORTS.

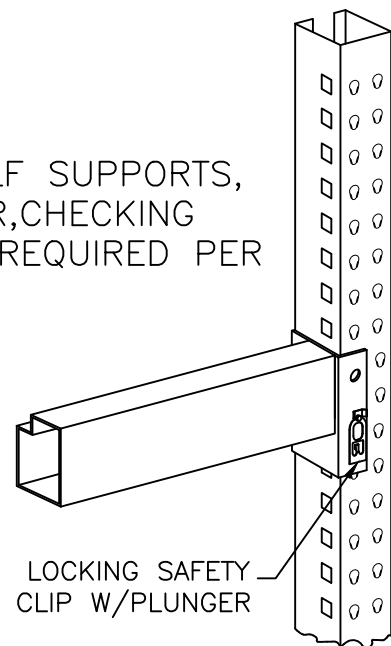


6. CONTINUE ADDING FRAMES, BEAMS, AND SHELF SUPPORTS, TO THE RUN. ANCHOR FRAMES TO THE FLOOR, CHECKING ALIGNMENT WITH CHALK LINE. ONE ANCHOR REQUIRED PER POST/TWO PER FRAME.

WARNING:

ALL BEAMS MUST BE SEATED AND LOCKED. THE PLUNGER OF THE LOCKING CLIP ON THE FACE OF EACH CONNECTOR MUST SNAP INTO THE UPRITE TEARDROP SLOT.

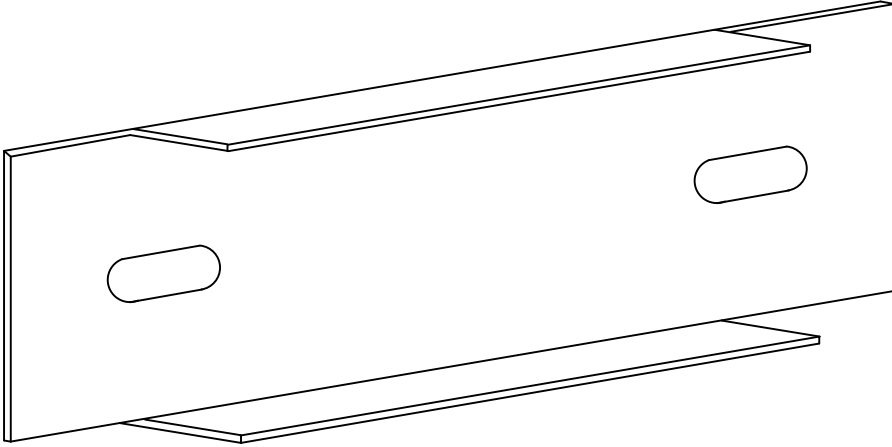
A PROPERLY LOCKED BEAM WILL NOT DISENGAGE FROM THE POST UNLESS THE PLUNGER IS INTENTIONALLY RETRACTED.



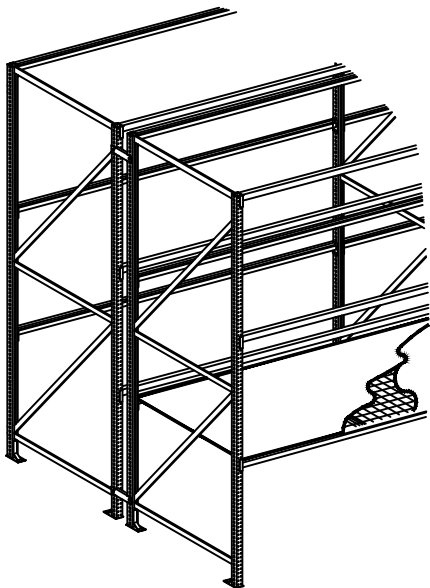
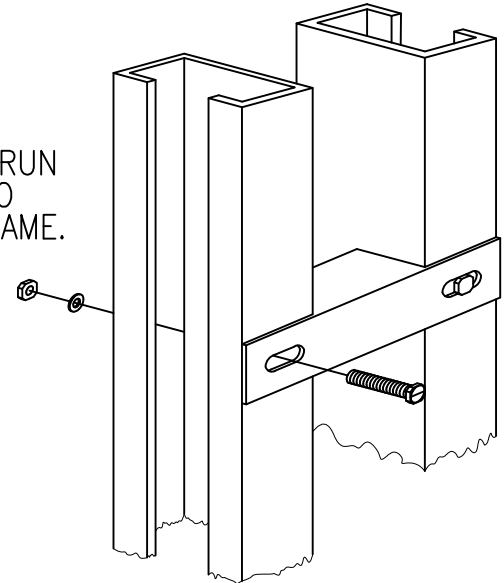
INSTALLATION INSTRUCTIONS

PALLET RACK – STANDARD LOZIER

7. IF ADDING BACK-TO-BACK RUN, SECURE ALL FRAMES FOR BACKING RUN TO THE COMPLETED RUN WITH ROW SPACERS AS SHOWN. TWO SPACERS FOR UPRITES UP TO 96", THREE ON TALLER UNITS.



8. INSTALL TWO BEAM PAIRS IN FIRST SECTION OF BACKING RUN AND SQUARE SECTION AS IN STEP 3. ANCHOR FRAMES TO FLOOR. ONE ANCHOR REQUIRED PER POST/ TWO PER FRAME.



9. ADD BEAMS TO REMAINING SECTIONS AND ANCHOR FRAMES TO FLOOR. ONE ANCHOR REQUIRED PER POST/ TWO PER FRAME.
10. ADD BEAMS, SHELF SUPPORTS, AND SHELVES TO COMPLETE THE BACKING RUN.

INSTALLATION INSTRUCTIONS

PALLET RACK – STANDARD LOZIER

POST IN CONSPICUOUS PLACE

WARNING: OVERLOADING, MISUSE, ABUSE OF THE PALLET RACK SYSTEM CAN CONTRIBUTE TO COLLAPSE AND PERSONAL INJURY.

PLEASE NOTE: PERSONNEL MUST BE PROVIDED WITH SAFE ACCESS TO ALL ELEVATIONS OF STORAGE EQUIPMENT OR DISPLAY FIXTURES VIA LADDERS, STAIRWAYS, OR OTHER MEANS IN ACCORDANCE WITH APPLICABLE OSHA REGULATIONS. IN NO CASE SHOULD ANYONE BE ALLOWED TO CLIMB OR STAND ON STORAGE OR DISPLAY EQUIPMENT.

A. LOADING AND CAPACITY LIMITATIONS

1. PALLET RACK UPRITE FRAME (LPRU)
 - HEAVY DUTY FRAME (3" x 3" POST) – 27,000 lb. FRAME CAPACITY AT 48" MAXIMUM VERTICAL BEAM SPACING.
 - STANDARD DUTY FRAME (1 5/8" x 3" POST) – 17,100 LB. FRAME CAPACITY AT 48" MAXIMUM VERTICAL BEAM SPACING.
2. PALLET RACK BEAMS (LPRU)

PALLET RACK BEAM CAPACITIES (LB/PAIR OF BEAMS)

LGTH.	PART NUMBER		
	LPRB***35	LRPB***45	LPRB***60
36"	9,867	10,000	16,000
42"	8,457	10,000	16,000
48"	7,400	10,000	16,000
54"	6,600	10,000	16,000
60"	5,900	9,600	14,400
66"	5,400	8,700	13,000
72"	5,000	8,000	12,000
78"	4,500	7,300	11,000
84"	4,200	6,900	10,300
90"	4,000	6,400	9,600
96"	3,700	6,000	9,000
99"	3,500	5,300	8,800
108"	3,000	5,300	8,000
120"	2,400	4,700	7,200
132"	2,000	3,400	6,500
140"	1,600	3,200	6,000

WARNING: THESE CAPACITIES ARE FOR EVENLY DISTRIBUTED LOADS. CONCENTRATED LOADS REDUCE THESE CAPACITIES 50%.



INSTALLATION INSTRUCTIONS

PALLET RACK – STANDARD LOZIER

USER INSTRUCTIONS

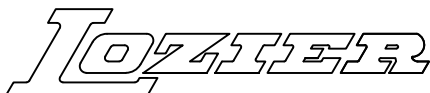
3. PALLET RACK DECKING (LPRPB & LPRWDF) AND SHELF SUPPORTS (LPRSS)

SHELF CAPACITIES WITH SPECIFIED NO. SHELF SUPPORTS									
AVAILABLE CAPACITY ON FLAT WIRE DECKING OR PARTICLEBOARD DECKING USING THE SPECIFIED NUMBER OF SHELF SUPPORTS INDICATED (IN LBS.).									
NOTE: THE RATED LOAD CAPACITY PER PAIR OF BEAMS MUST BE EQUAL TO OR EXCEED THE RATED SHELF CAPACITY.									
FRAME DPTH.	BEAM LGTH.	NO. OF SUPPORTS			FRAME DPTH.	BEAM LGTH.	NO. OF SUPPORTS		
		2	4	6			2	4	6
24"	48"	2400	4800	—	42"	48"	2400	4800	—
	72"	2400	4800	7200		72"	2400	4800	7200
	96"	2400	4800	7200		96"	2400	4800	7200
	99"	—	4800	7200		99"	—	4800	7200
	108"	—	—	7200		108"	—	—	7200
	120"	—	—	7200		120"	—	—	7200
30"	48"	2400	4800	—	44"	48"	2200	4400	—
	72"	2400	4800	7200		72"	2200	4400	6600
	96"	2400	4800	7200		96"	2200	4400	6600
	99"	—	4800	7200		99"	—	4400	6600
	108"	—	—	7200		108"	—	—	6600
	120"	—	—	7200		120"	—	—	6600
36"	48"	2400	4800	—	48"	48"	2000	4000	—
	72"	2400	4800	7200		72"	2000	4000	6000
	96"	2400	4800	7200		96"	2000	4000	6000
	99"	—	4800	7200		99"	—	4000	6000
	108"	—	—	7200		108"	—	—	6000
	120"	—	—	7200		120"	—	—	6000

ALL LOAD CAPACITIES BASED ON A STATIC EVENLY DISTRIBUTED LOAD.

4. PALLET RACK SUPPORTS

TWO PALLET SUPPORTS ARE REQUIRED FOR EACH PALLET IN LENGTHS TO 48".



INSTALLATION INSTRUCTIONS

PALLET RACK – STANDARD LOZIER USER INSTRUCTIONS

SAFETY PRECAUTIONS – IN ORDER TO ASSURE THAT THE PALLET RACK IS USED IN A SAFE MANNER, THE FOLLOWING SAFETY PERCAUTIONS MUST BE OBSERVED.

1. RACKS MUST BE INSTALLED STRICTLY ACCORDING TO THE MANUFACTURER'S INSTRUCTIONS.
2. NEVER OVERLOAD THE UPRITES OR BEAMS (SEE SECTION A ON PGS. 10 AND 11).
3. BE SURE THE SHELVING SECTIONS REMAIN ALIGNED.
4. FRAMES MUST BE ANCHORED TO THE FLOOR.
5. IF ANY PORTION OF THE RACK OR ANY COMPONENT BECOMES DAMAGED, THE RACK MUST BE UNLOADED AND THE DAMAGED PORTION REPLACED IMMEDIATELY.
6. IF ANY SHELF SUPPORT OR BEAM BECOMES PARTIALLY OR COMPLETELY DISLODGED, IT MUST BE CORRECTED IMMEDIATELY.
7. BEAM LOCKING CLIP PLUNGERS MUST FULLY ENGAGE UPRITE TEARDROP SLOTS.
8. DO NOT USE PALLET RACK AS A LADDER, WALKWAY OR WORK PLATFORM.
9. DO NOT LEAN TALL OR HEAVY ITEMS AGAINST SHELVING UNLESS SHELVING IS ANCHORED TO A SUITABLE BUILDING WALL, TO THE FLOOR, OR IS OTHERWISE BRACED TO PREVENT OVERTURNING. THE WEIGHT AND FORCE OF LEANING ITEMS ON UNANCHORED OR UNBRACED SHELVING MAY CAUSE THE SHELVING TO OVERTURN OR COLLAPSE.
10. SHELVING (OR RACKS) THAT ARE LEANING OR BENDING WHEN LOADED MAY INDICATE A DANGEROUS OVERLOAD OR IMPENDING COLLAPSE. LOADS SHOULD BE IMMEDIATELY REDUCED, AND THE CAUSE FOR THIS CONDITION SHOULD BE CORRECTED, BEFORE RELOADING. REFER TO APPROPRIATE INSTALLATION INSTRUCTIONS TO ASSURE SHELVING (OR RACKS) ARE PROPERLY ASSEMBLED, REPLACE ANY DAMAGED COMPONENTS OR PARTS, AND DO NOT EXCEED RECOMMENDED MAXIMUM LOADS OR ENGAGE IN ANY OTHER UNSAFE USE OF THE SHELVING (RACKS).

