

INSTALLATION INSTRUCTIONS

Impulse Queuing System

Shelf Load Capacity:

The maximum allowable product load placed on any shelf shall not exceed its specified load limit or 200 pounds, whichever is less. 10"D shelves maximum on round base uprites and on 10"D welded T-leg uprites.

Unbalanced Load Capacity:

The maximum unbalanced load capacity is 2,000 in-lbs. Refer to Display Shelving Installation Instructions for unbalanced load calculations.

Caution: Upright parts are heavy and two people may be needed to safely assemble them.

STEP 1: Round Base End and Center Upright (Single-Post)

With Upright Post on its side slide Base Cover over the lower end of the post. Insert hex bolt and washer through the center hole of the base and into Upright Post. Tighten securely, socket wrench recommended. (See Figure 1)

NOTE: The T-leg style Uprights require no assembly.

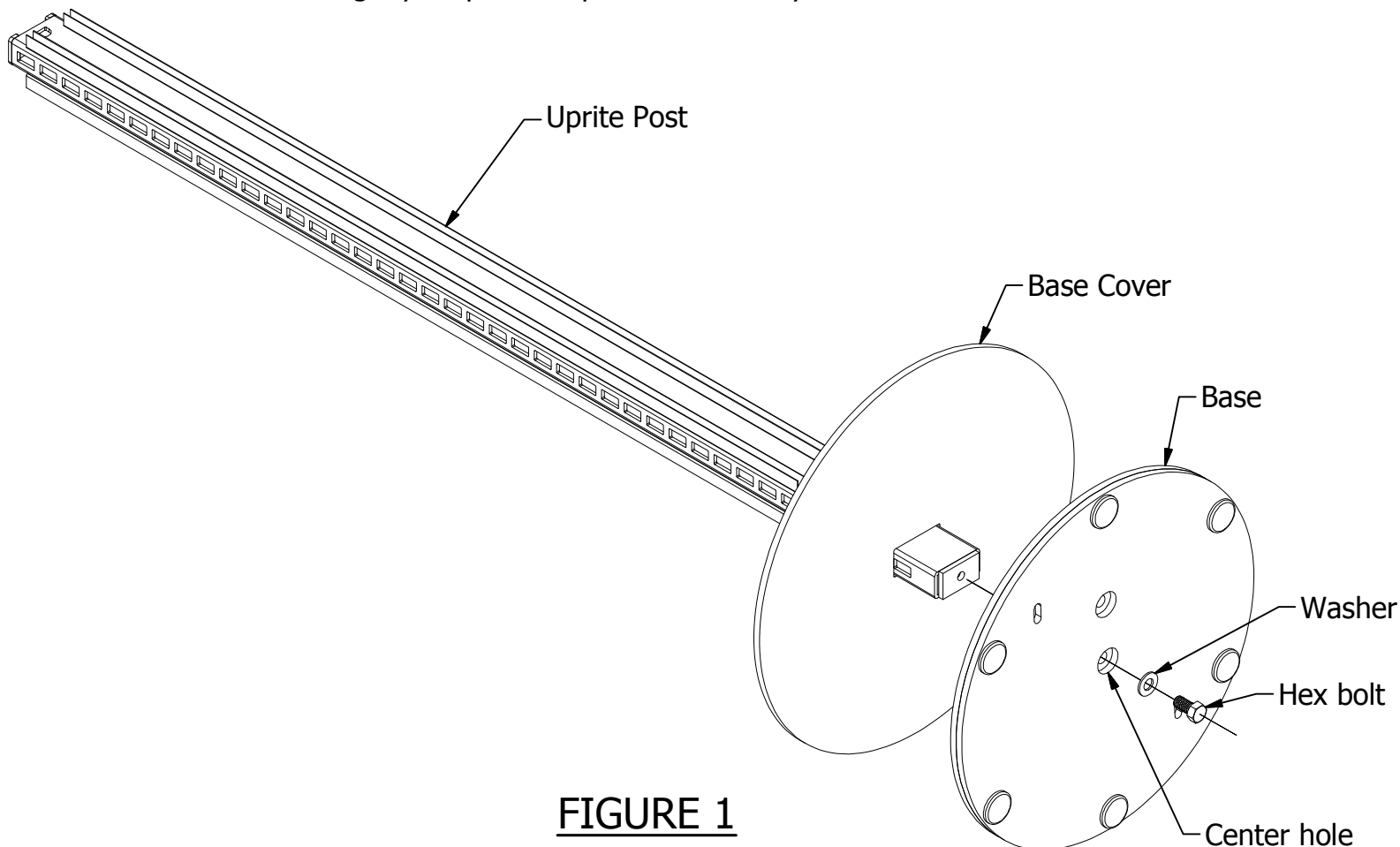


FIGURE 1

INSTALLATION INSTRUCTIONS

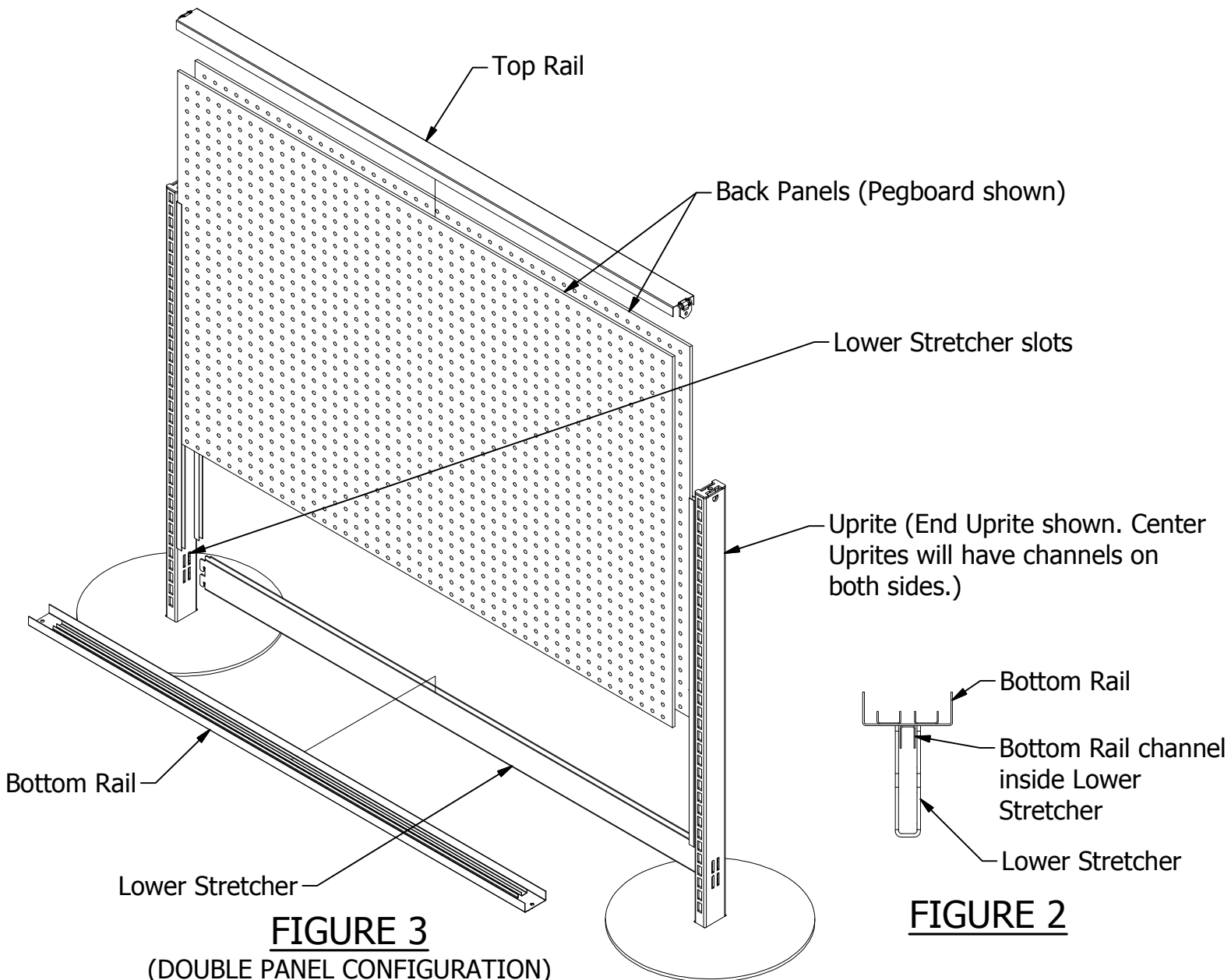
Impulse Queuing System

STEP 2: NOTE: Assembly for Double Panels shown. For other Back Panel configurations see Page 3.

With End Upright in its approximate location, place next Upright (center, end or corner depending on floor plan) in its approximate location with Back retaining channels facing each other. (Round base shown. T-leg base similar.) Insert Lower Stretcher ends into slots of Uprights. Tap Lower Stretchers with a mallet until Stretcher hooks are fully seated.

Place Bottom Rail onto Lower Stretcher. The channel on the underside of the Bottom Rail engages inside the Lower Stretcher. (See Figure 2)

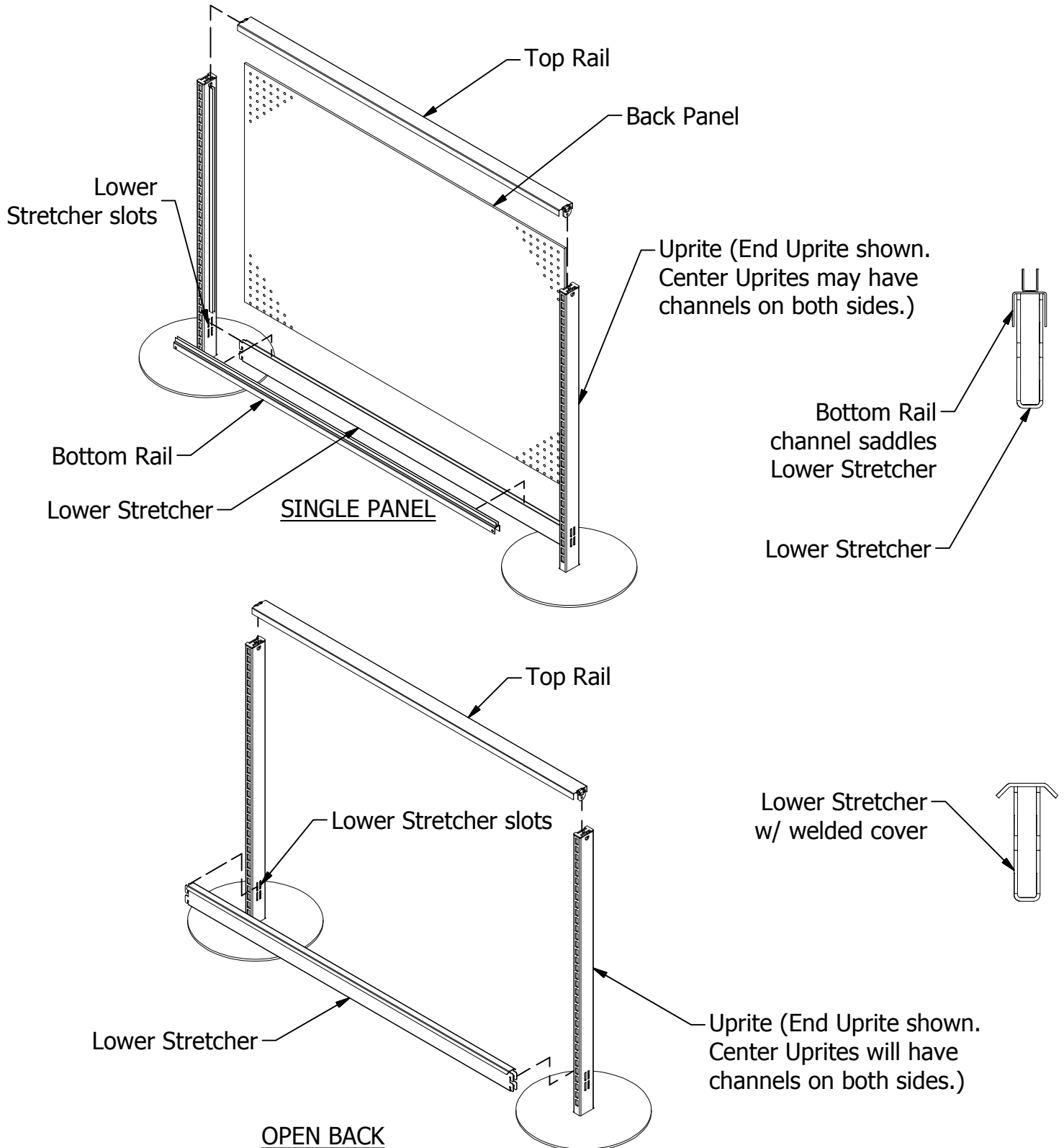
Slide Back Panels into Upright channels from above. Install Top Rail, ensuring that it is fully seated. Repeat for additional sections. (See Figure 3)



INSTALLATION INSTRUCTIONS

Impulse Queuing System

NOTE: Follow steps 1-2, but note the uprites have no Back retainers for Open Back and (1) Back retainer for Single Backs. Also note the unique Bottom Rail for Single Back configuration and the unique Lower Stretcher for Open Back configuration.



INSTALLATION INSTRUCTIONS

Impulse Queuing System

STEP 3: Shims may be used to stabilize round base uprites on uneven floors. Shim thickness will vary with floor condition. Place shim(s) under foot pad(s) of round bases where needed. (See Figure 4)

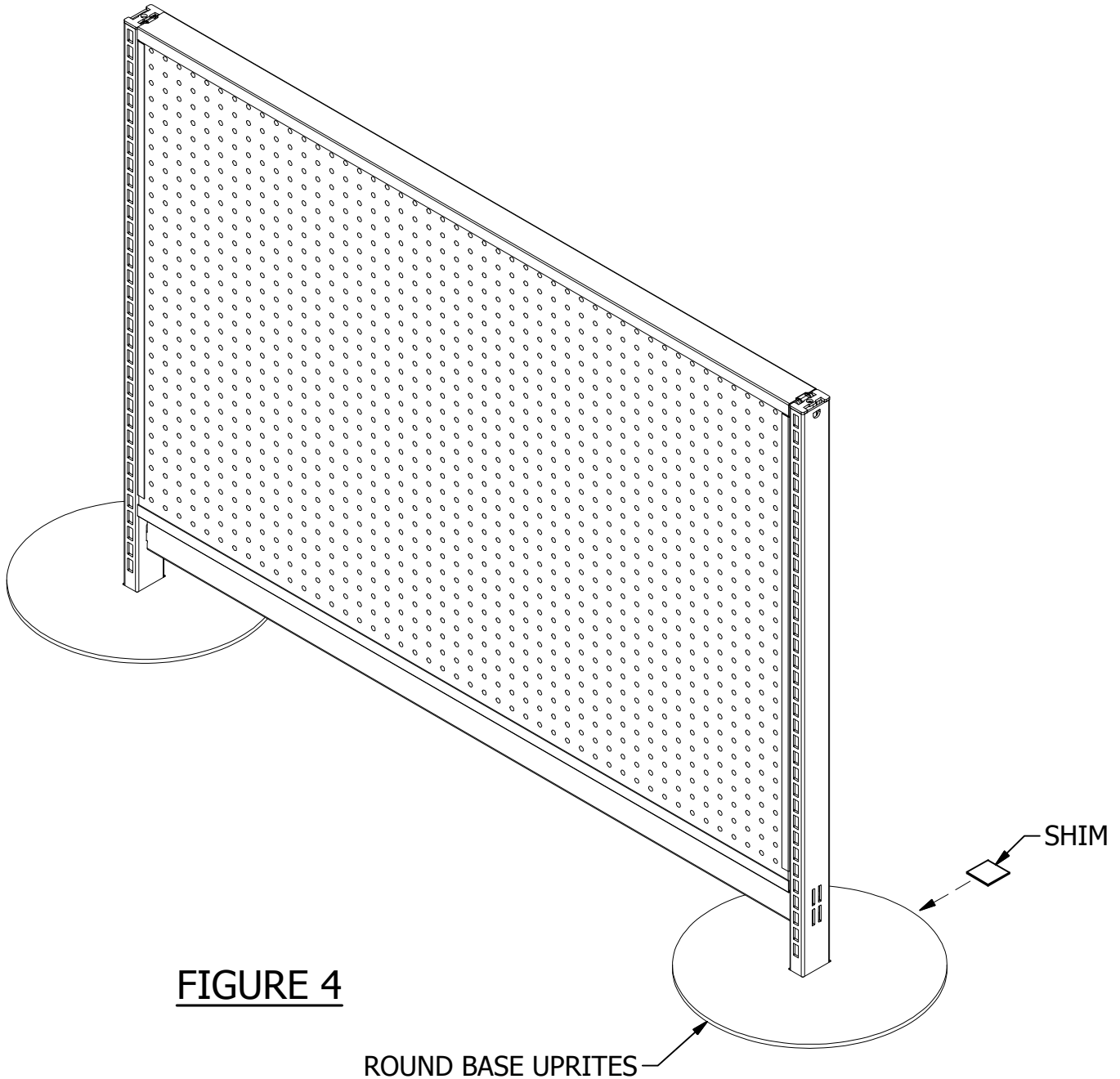


FIGURE 4

ROUND BASE UPRITES