

# INSTALLATION INSTRUCTIONS

## IMPULSE QUEUING 45 DEGREE CORNER UNIT

STEP 1: Set up Queuing System at 90° to each other. (See Figure 1)

NOTE: This corner unit is assembled identically for both T-leg and Round Base systems.

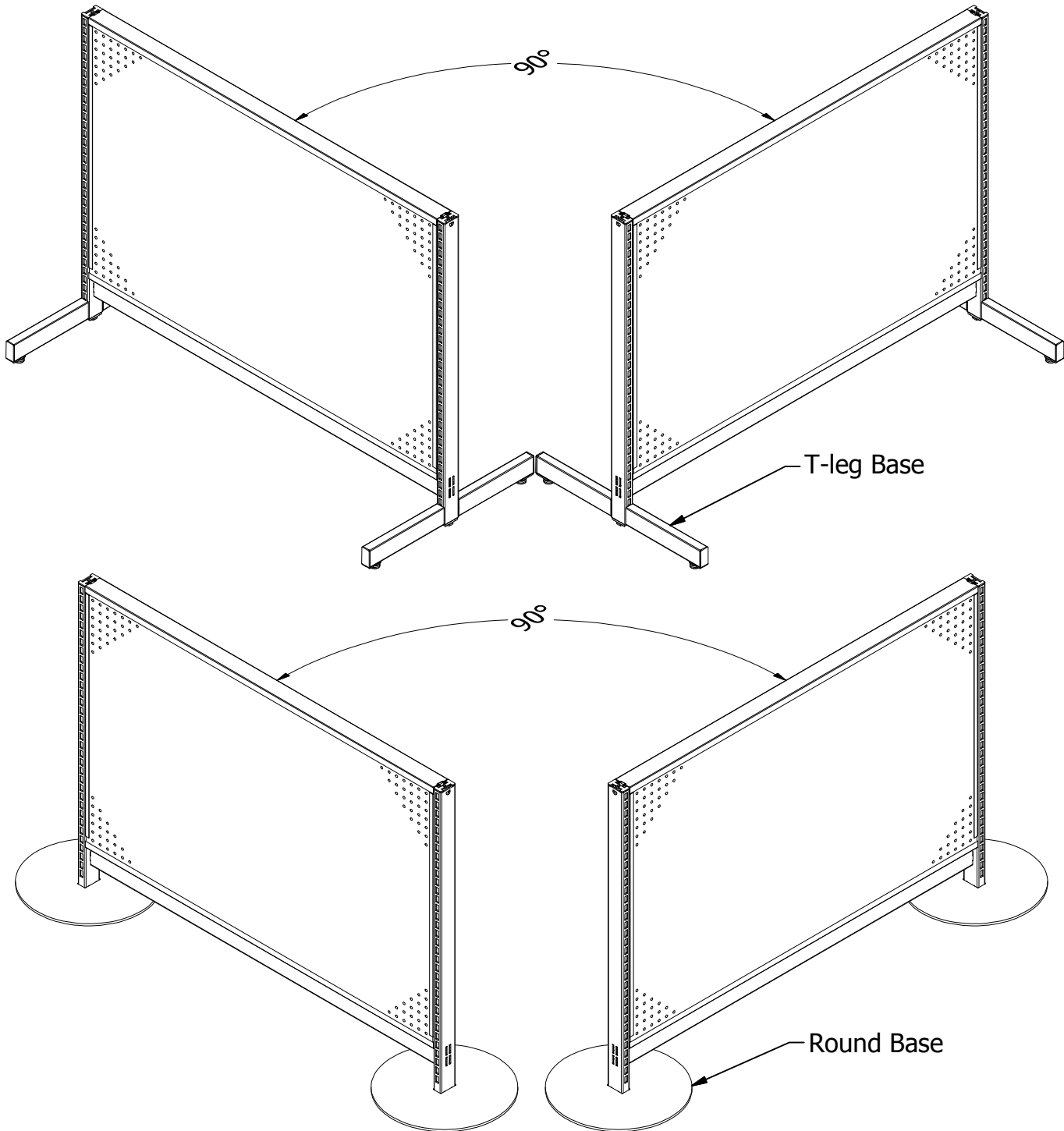


Figure 1

# INSTALLATION INSTRUCTIONS

## IMPULSE QUEUING 45 DEGREE CORNER UNIT

NOTE: Assembly for double panels shown. For other Back Panel configurations, see Page 6.

STEP 2: Install Side Rails, from corner rail kit, on back of the End Uprights so the top flange of the Side Rails are near flush with the top of the Uprights. (See Figure 2)

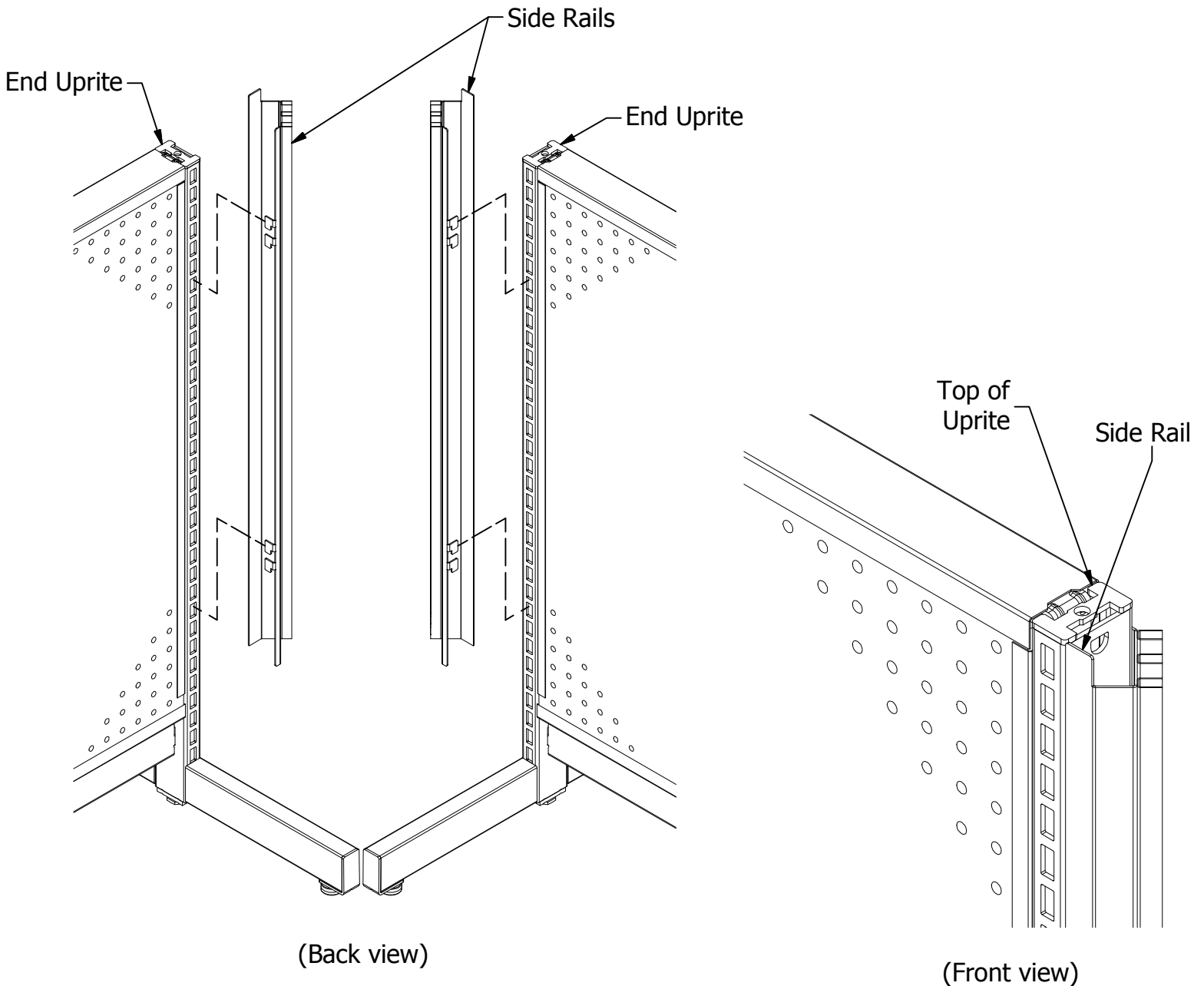


Figure 2

# INSTALLATION INSTRUCTIONS

## IMPULSE QUEUING 45 DEGREE CORNER UNIT

STEP 3: Install Bottom Skirt into the outside Upright stretcher slot with flange facing to the outside. (See Figure 3)

STEP 4: Insert one end of Bottom Rail into the bottom Side Rail hole and drop it down until it is seated in the notch. (See Figure 3)

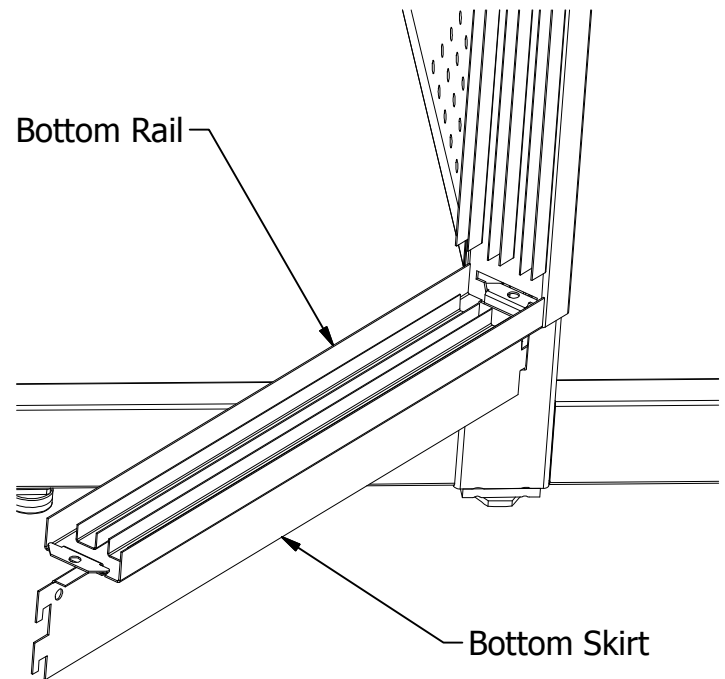
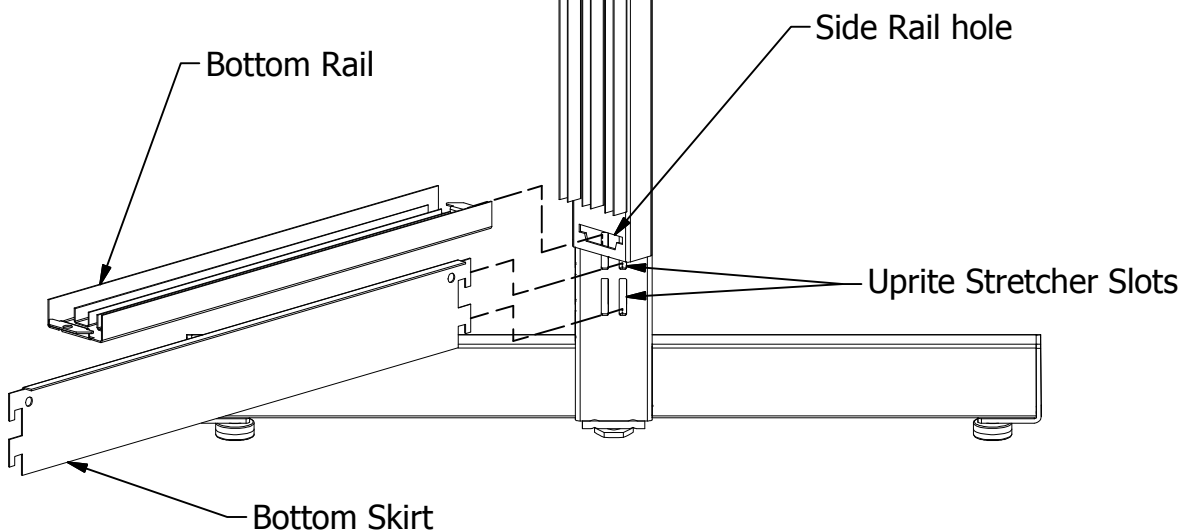


Figure 3



# INSTALLATION INSTRUCTIONS

## IMPULSE QUEUING 45 DEGREE CORNER UNIT

STEP 5: Bring the two End Uprites closer together and install the Bottom Skirt and Bottom Rail on other Uprite/Side Rail as explained in Steps 3 & 4. (See Figure 4)

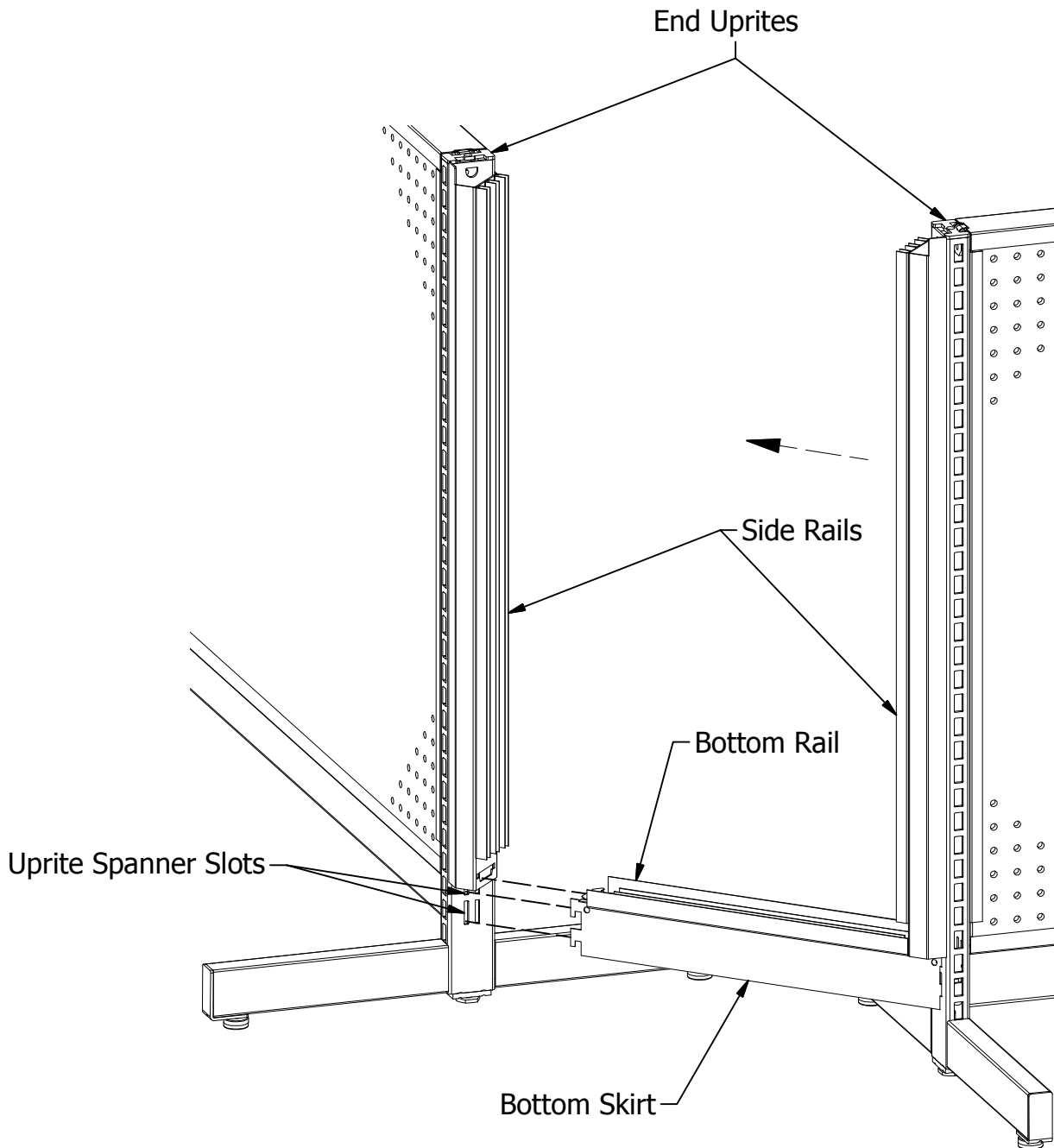


Figure 4

# INSTALLATION INSTRUCTIONS

## IMPULSE QUEUING 45 DEGREE CORNER UNIT

STEP 6: Slide Back Panels into Side Rail channels from above. Install Top Rail, ensuring that it is fully seated in the Uprites. (See Figure 5)

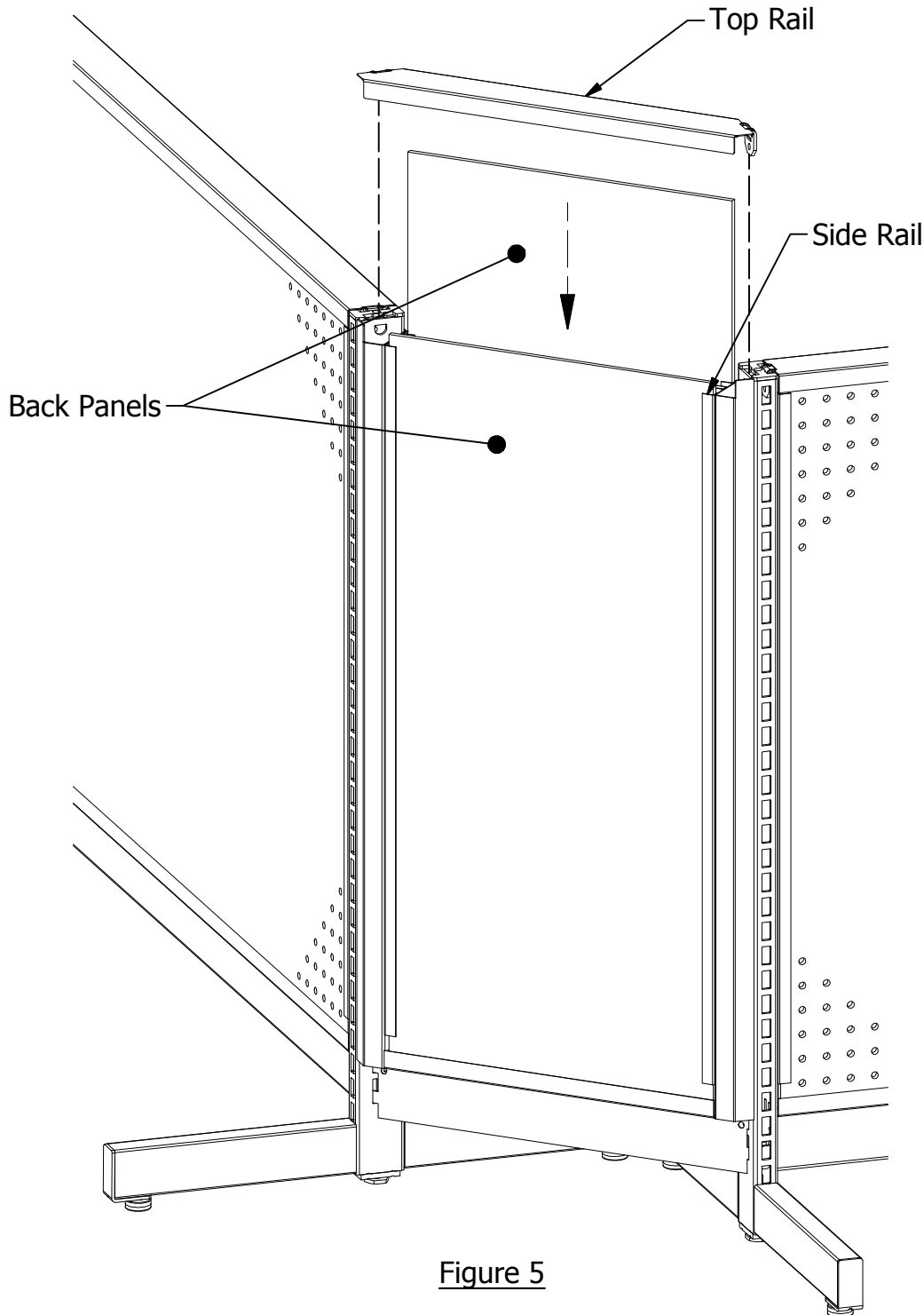


Figure 5

# INSTALLATION INSTRUCTIONS

## IMPULSE QUEUING 45 DEGREE CORNER UNIT

NOTE: For a Single Back 45 Degree Corner, follow steps 1-6. Note the Side Rails have only (1) Back retainer channel and Bottom Rail is uniquely designed for a Single Back Panel corner configuration.

