

# INSTALLATION INSTRUCTIONS

## IMPULSE QUEUING 90 DEGREE CORNER UNIT

### Round Base Corner Upright (Two-Post)

**STEP 1:** With End Upright Post on its side slide center hole of the Base Cover over the lower end of the post. Ensure that retainers of two End Upright Posts will face away from each other. Loosely insert hex bolt and washer through the center hole of the base into Upright Post. Slide second End Upright Post through the Base Cover. Align offset hole of Base Cover with the second Upright. Insert hex bolt and washer into second Upright. Tighten bolts securely. (See Figure 1)

**STEP 2:** Insert upper tabs and lower hooks of Corner Filler into Uprights. (See Figure 2)

**NOTE:** The 90 degree Corner Filler cannot be installed on the T-leg style Uprights.

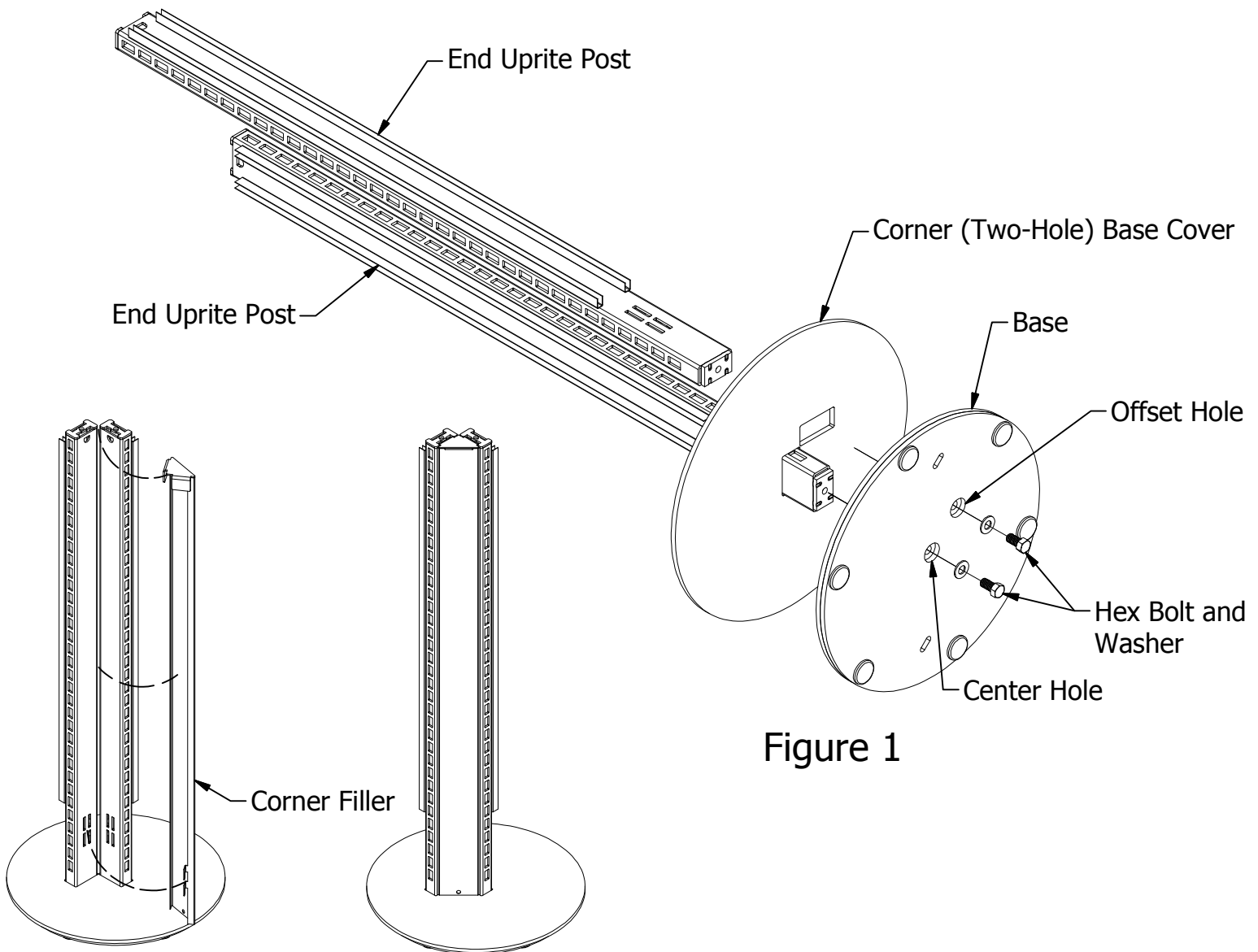


Figure 1

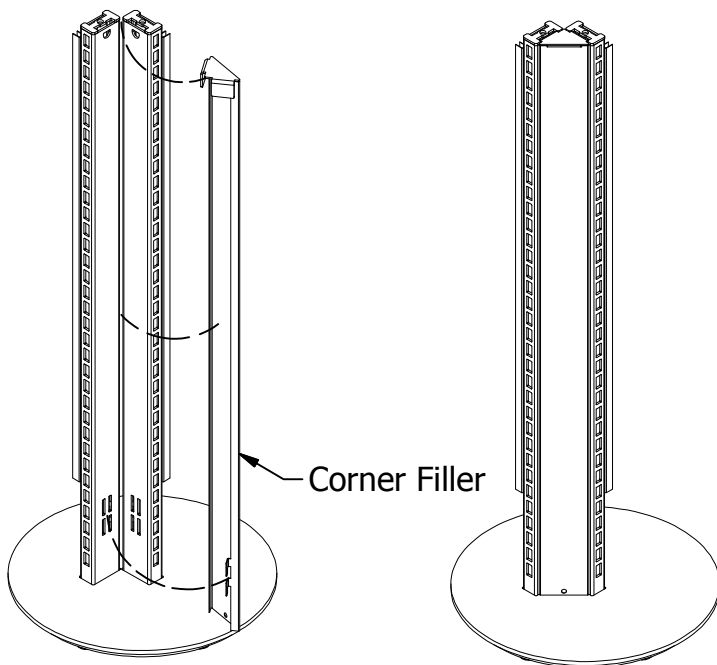


Figure 2