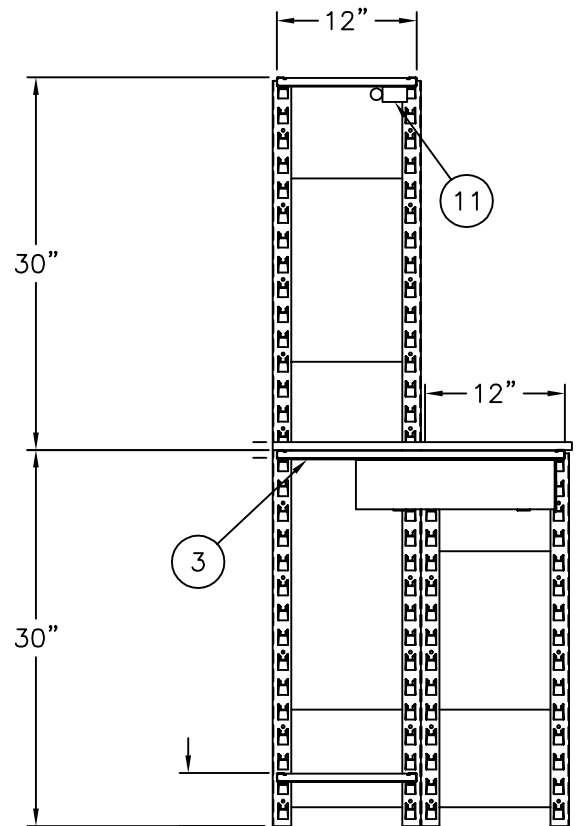
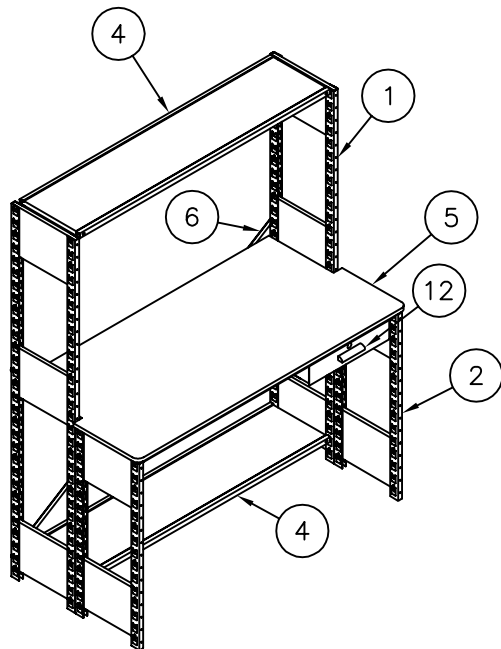


# INSTALLATION INSTRUCTIONS

## S-STORAGE SHELVING DESK (SSDSK2450)

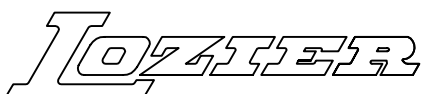


OPTIONAL SEE  
STEP 3

CROSS SECTION

UPRITE COVERED BY U.S. PATENT NUMBER 6,085,918

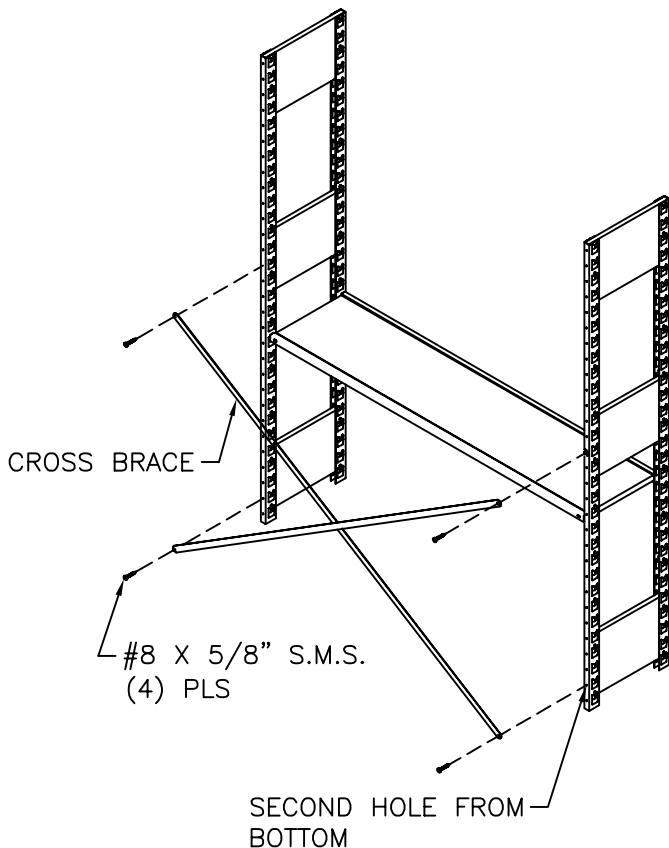
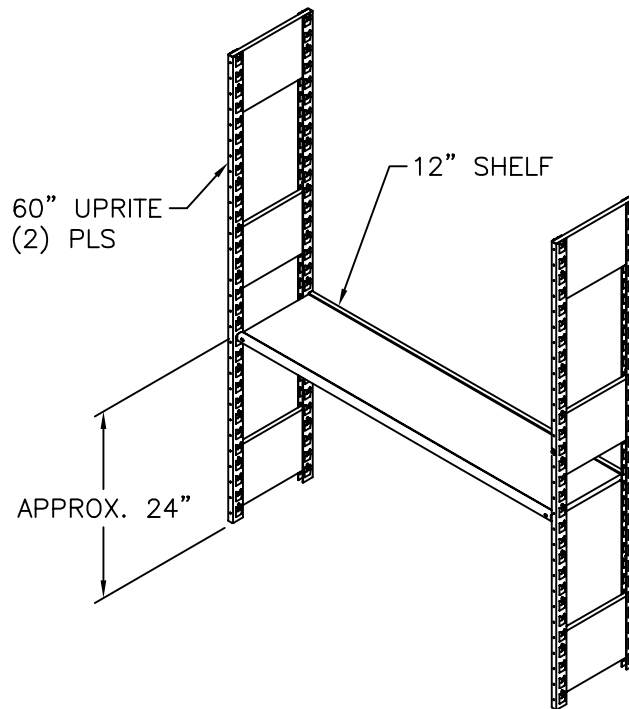
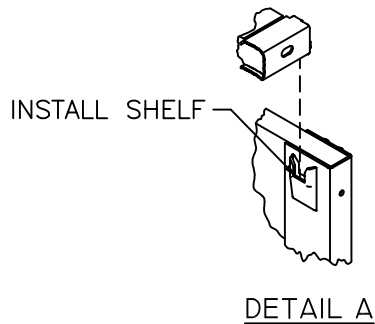
ITEM NO.	PART NO.	QTY	DESCRIPTION
1	SSU12060N	2	60" UPRITE
2	SSU12030N	2	30" UPRITE
3	SS424S	1	24" SHELF
4	SS412S	2	12" SHELF
5	SS1251	1	24" BENCH TOP
6	SSX436RD	1	CROSS BRACE
7	50084	4	#10-24 x 1/2 PN HD M.S.
8	51008	4	#10-24 HEX NUT
9	57011	4	#10 LOCKWASHER
10	56091	4	#8 X 1 1/4 S.M.S.
OPTIONS			
11	HS178	1	LIGHT KIT
12	SSMBD	1	LOCKING DRAWER



# INSTALLATION INSTRUCTIONS

## S-STORAGE SHELVING DESK (SSDSK2450)

STEP 1: Hold two (2) 60" uprite assemblies (Item 1) vertical and temporarily install a 12" shelf approximately 24" from floor by hooking shelf tabs into uprite pockets. (See Detail A)



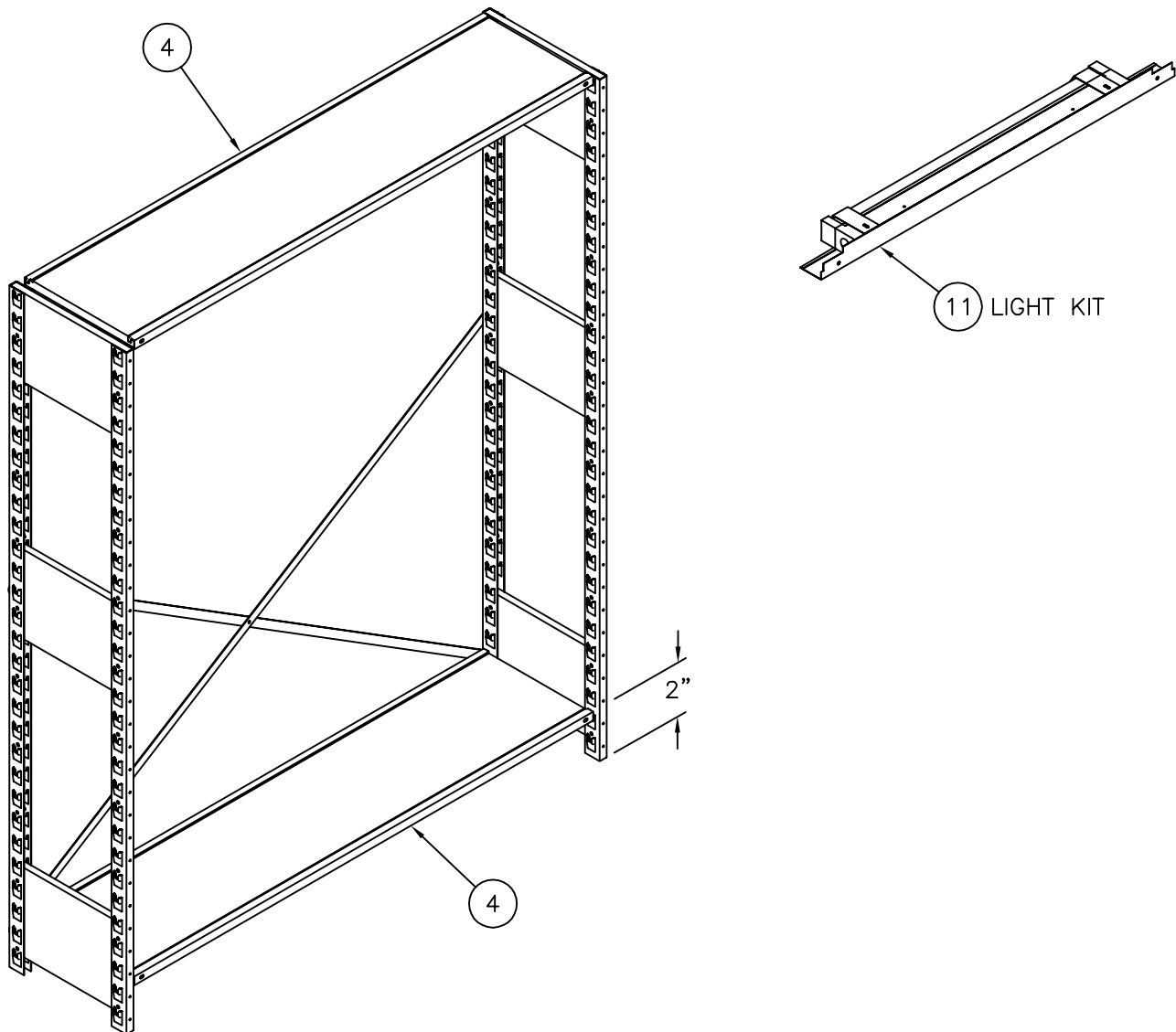
STEP 2: With the #8 x 5/8" sheet metal screws provided, attach cross brace (Item 6) to the uprites using the small pre-punched holes in the uprite assemblies.

CAUTION: DO NOT USE POP RIVETS TO FASTEN CROSS BRACES TO UPRITES.

# INSTALLATION INSTRUCTIONS

## S-STORAGE SHELVING DESK (SSDSK2450)

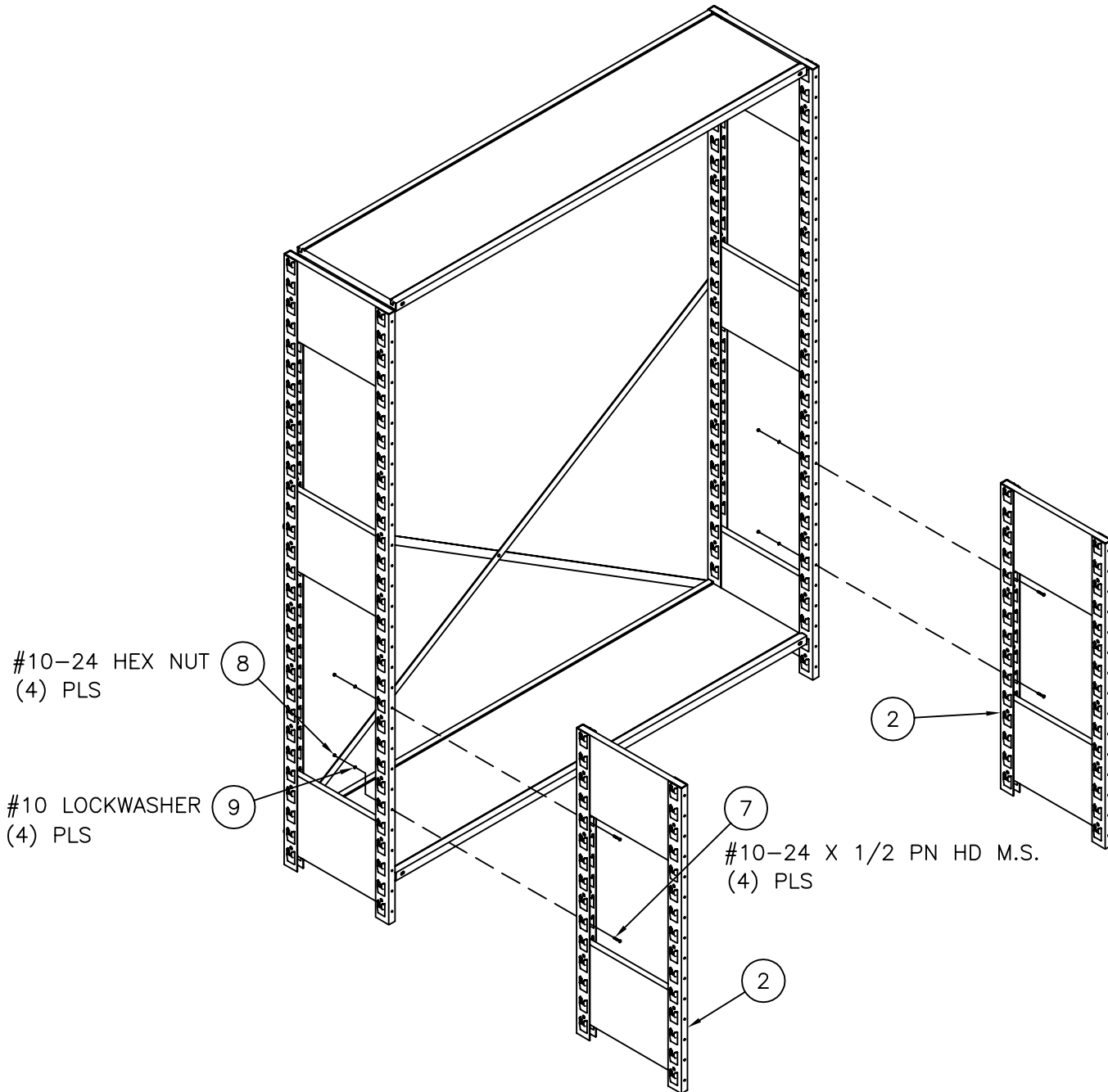
STEP 3: Install 12" shelf (Item 4) 2" from bottom of uprights (suggested height). Remove 12" shelf from center and install at top of uprights. If Light Kit (Item 12) is used, install on bottom of top shelf.



# INSTALLATION INSTRUCTIONS

## S-STORAGE SHELVING DESK (SSDSK2450)

STEP 4: Using #10 machine screws, hex nuts and lockwashers (Items 7 thru 9), fasten 30" uprites (Item 2) to assembly. (See Below)

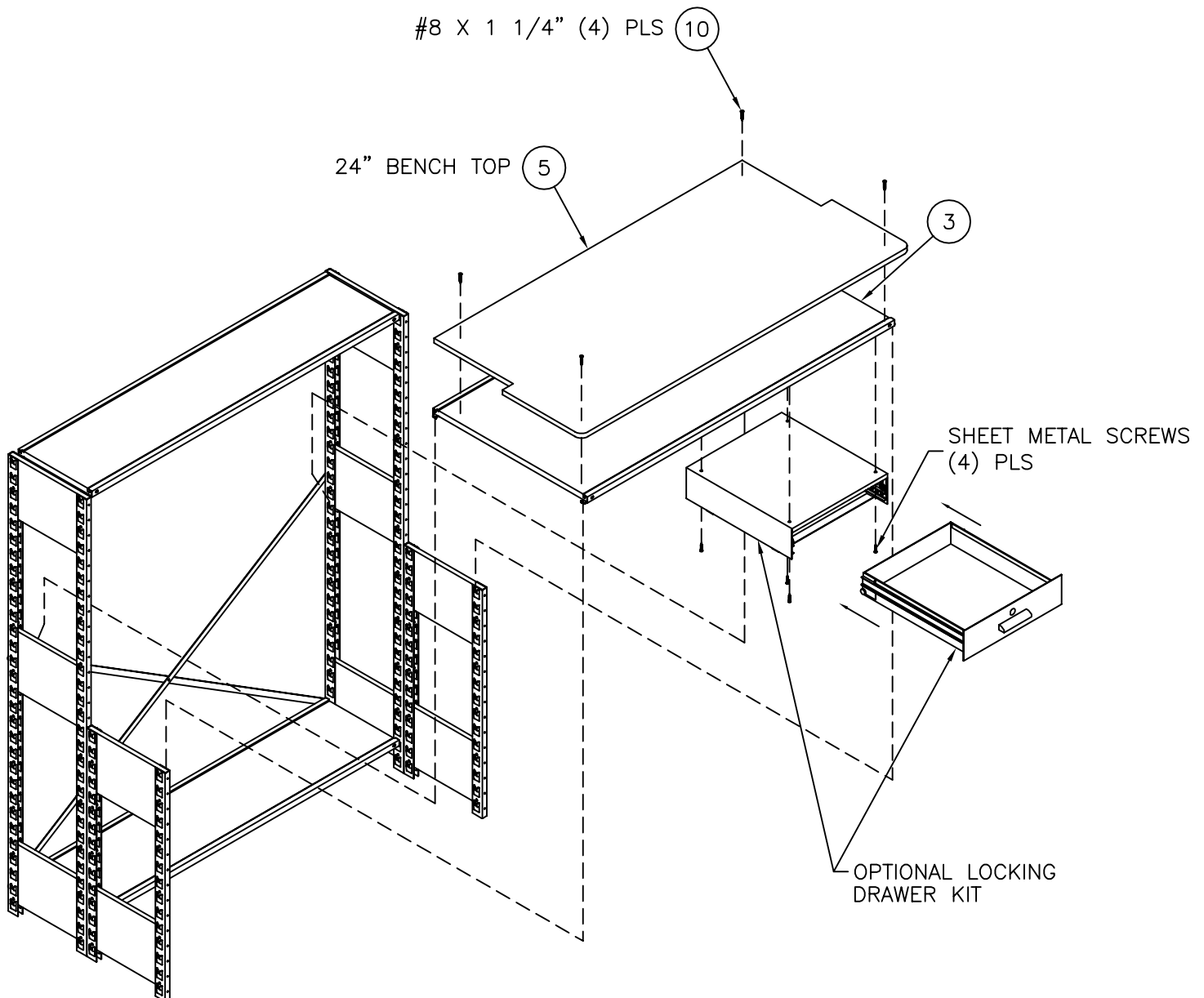


# INSTALLATION INSTRUCTIONS

## S-STORAGE SHELVING DESK (SSDSK2450)

STEP 5: Install 24" wide shelf (Item 3) in top notch of 30" uprights. Secure 24" bench top (Item 5) to top of 24" shelf with (4) #8 x 1 1/4" screws provided.

STEP 6: If optional drawer (Item 12) is used secure to underside of 24" wide shelf with sheet metal screws.



# INSTALLATION INSTRUCTIONS

S-STORAGE SHELVING DESK (SSDSK2450)

## PRODUCT SAFETY INFORMATION

### **WARNING**

#### **FOR YOUR SAFETY**

- Install all shelving according to installation instructions and use components only as instructed. Shelving and components should only be installed or rearranged by trained personnel who have read and understand the instructions and warnings. Additional copies of the installation instructions are available upon request.
- Local codes and regulations concerning building, fire, sanitation, or seismic requirements may apply to some installations. It is the responsibility of the owner of the fixtures to check with local building authorities to determine what codes or regulations, if any, apply, and always install the shelving in compliance with any such requirements.
- When installing or rearranging shelving, **never** move assembled shelving.
- Do **not** combine Lozier products with non-Lozier products.
- **Never** use damaged parts. Damaged parts may cause shelving to be structurally unsafe or create exposure to sharp or pointed edges. If parts were damaged in shipping, do not use and contact your Lozier Customer Service Representative. If parts are damaged after shipment, discontinue use immediately and order replacement parts.
- Do **not** exceed Allowable Load Limits. Exceeding allowable loads may cause the shelving to tip over or collapse.
- To avoid store personnel or customers accidentally coming in contact with display fixtures, **never** allow any display to protrude into an aisle or to extend beyond the edge of the fixtures.
- Do **not** lean tall or heavy items against shelving unless shelving is anchored to a suitable building wall, to the floor, or is otherwise braced to prevent overturning. The weight and force of leaning items on unanchored or unbraced shelving may cause the shelving to overturn or collapse.
- Provide safe access to all levels of storage & display shelving in accordance with applicable OSHA regulations. **Never** allow anyone to climb, walk, or stand on shelving. These shelves were not designed to withstand the extra weight and impact of climbing, walking, and standing, and the added weight and impact of such actions may cause the fixtures to collapse.
- **Never** alter, modify or otherwise structurally change the shelving or any of its component parts. Modifications or alteration may cause the shelving or component part to become structurally unsafe resulting in tipping, collapse or other failure of the fixture.
- Inspect the shelving system periodically for damage. Parts that are bent, buckled, dented, cracked, or otherwise damaged should be replaced. Tighten or replace loose or missing fasteners.
- Shelving (or rack) that are leaning or bending when loaded may indicate a dangerous overload or impending collapse. Loads should be immediately reduced, and the cause for this condition should be corrected, before reloading. Refer to appropriate installation instructions to assure shelving (or racks) are properly assembled, replace any damaged components or parts, and do not exceed recommended maximum loads or engage in any other unsafe use of the shelving (racks).

