

INSTALLATION INSTRUCTIONS

MARKING BENCH (SSMB**U)

Assemble bench base, consisting of closed uprite assemblies, 3 shelves per section and hardboard backs in accordance with the procedures described in installation instructions for Storage Shelving and as illustrated. Top shelves must be in top pockets of all sections.

NOTE: Bench Top Overhangs Base Unit; 6" each end on 4' Unit, 12" on all others.

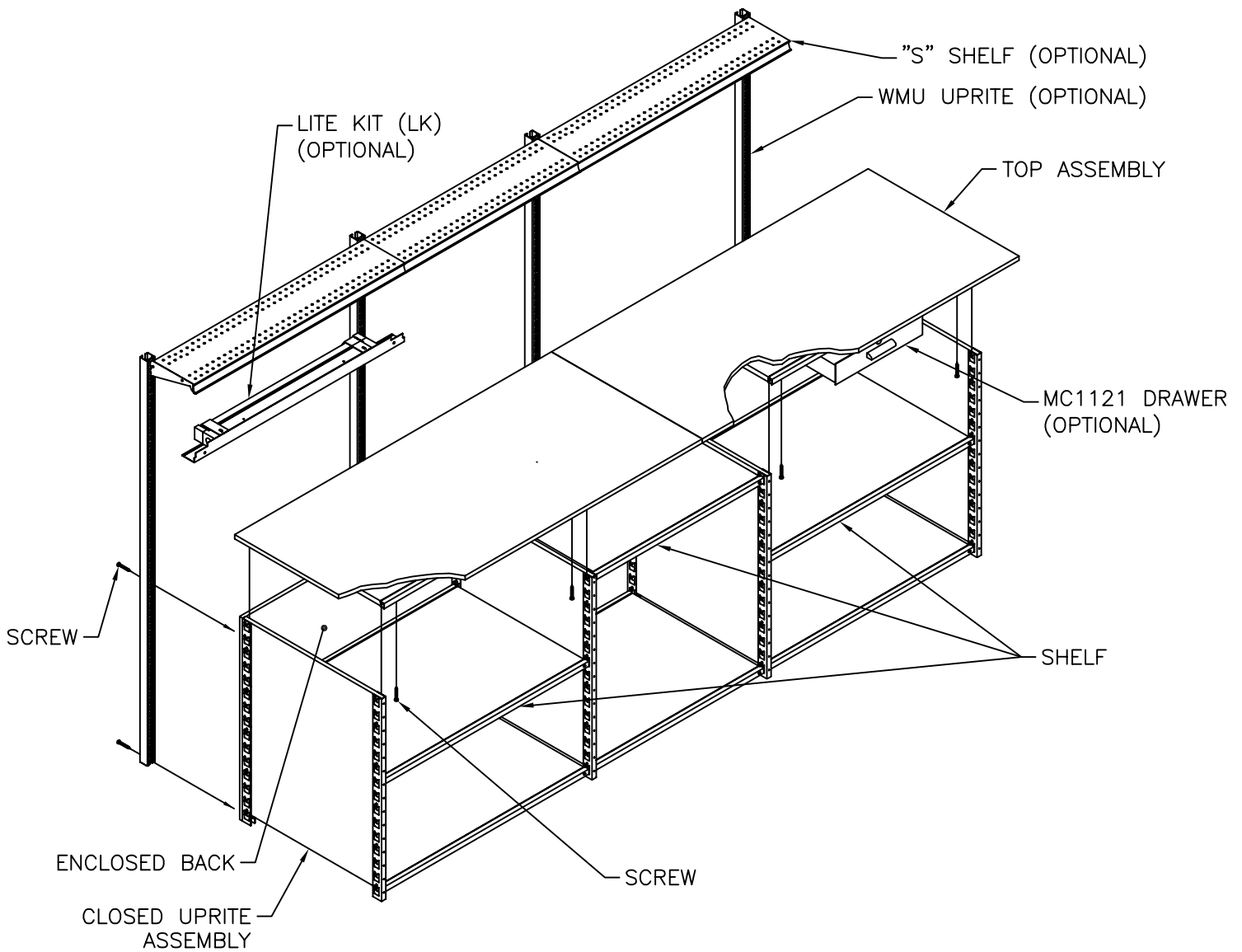


FIGURE 1

INSTALLATION INSTRUCTIONS

MARKING BENCH (SSMB**U)

STEP 1: 10' and 12' Bench Units are made as illustrated of two (2) segments. The segments must be fastened together, with "Fast Joint Fasteners" provided, before placing on the top shelves of the Bench assembly (see Figure 2).

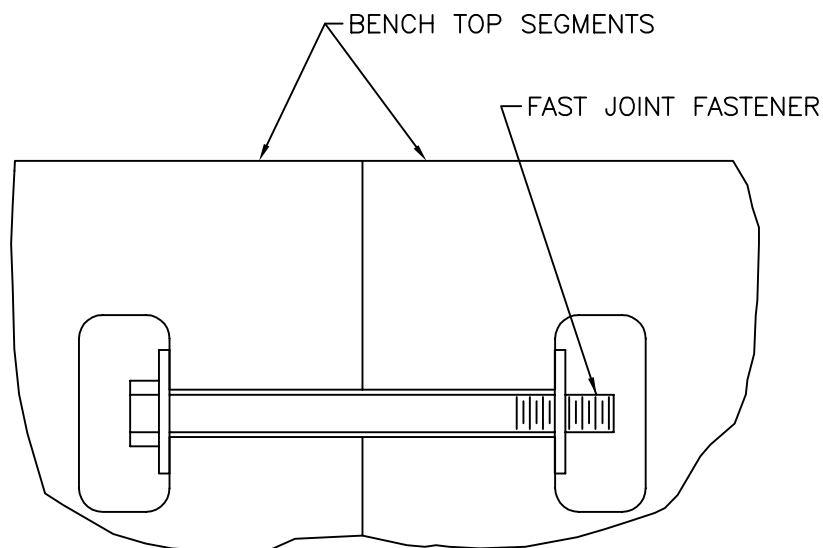


FIGURE 2

STEP 2: Position the Bench Top Assembly so it rests on the top shelves with all overhang (approx. 3") in front and equal overhang on each end. (6" on 4' unit, 12" on all others). (See FIGURE 3)

STEP 3: Drill four (4) pilot holes from the underside of each top shelf through the shelf into the top assembly and secure the top assembly to the shelves with #8 x 1 1/4 screws provided.

STEP 4: Attach the hardboard back to the top and bottom shelves, with Sheet Metal Screws. (See FIGURE 3)

INSTALLATION INSTRUCTIONS

MARKING BENCH (SSMB**U)

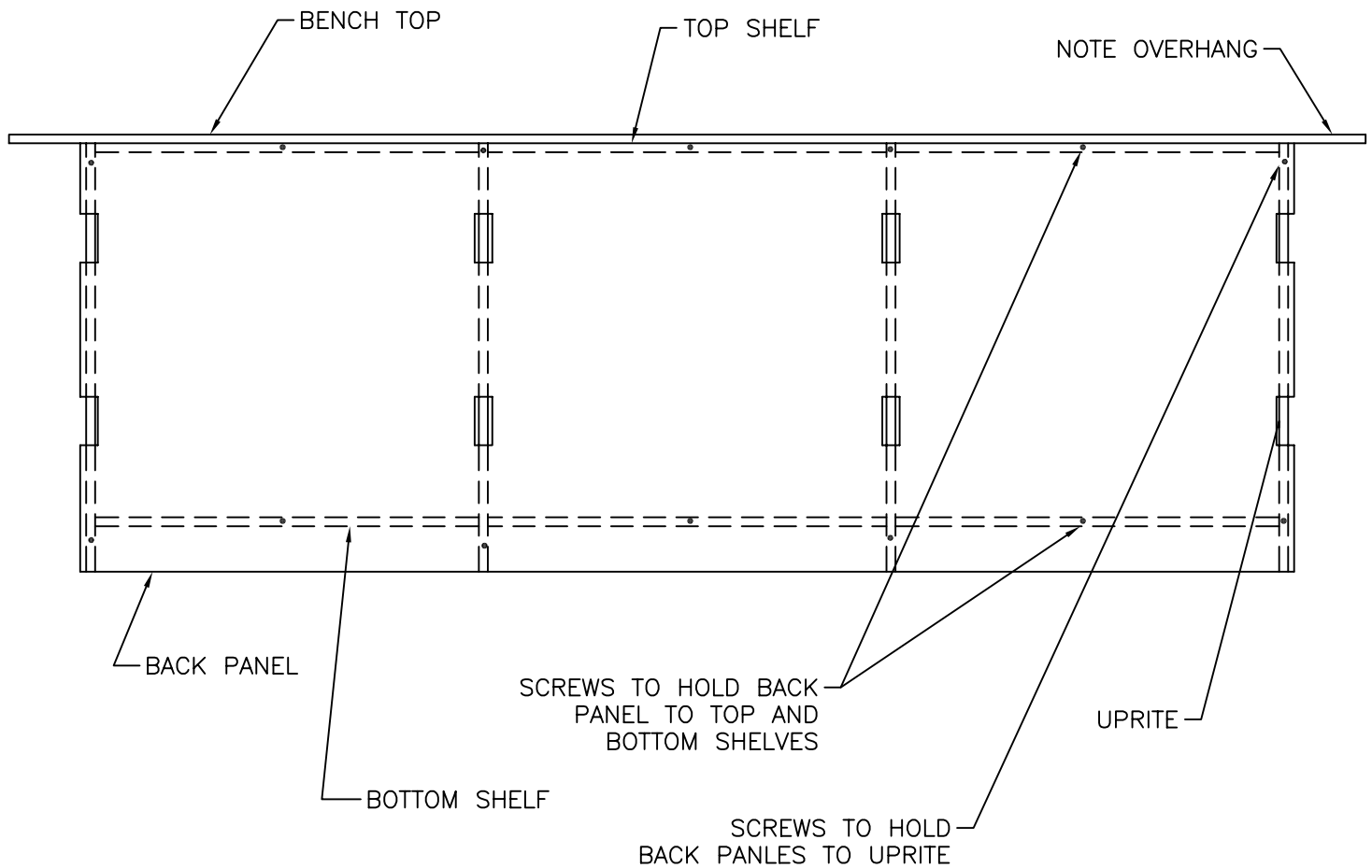


FIGURE 3

STEP 5: If optional WMU Uprites are to be used, attach them to the Marking Bench Uprite assemblies at top and bottom using (4) #8 x 1" sheet metal screws and flat washers (not provided).

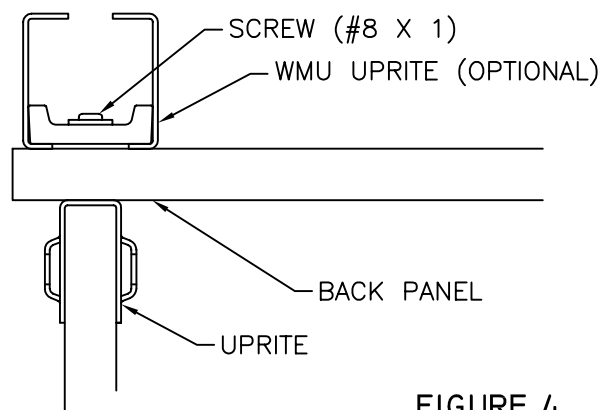


FIGURE 4