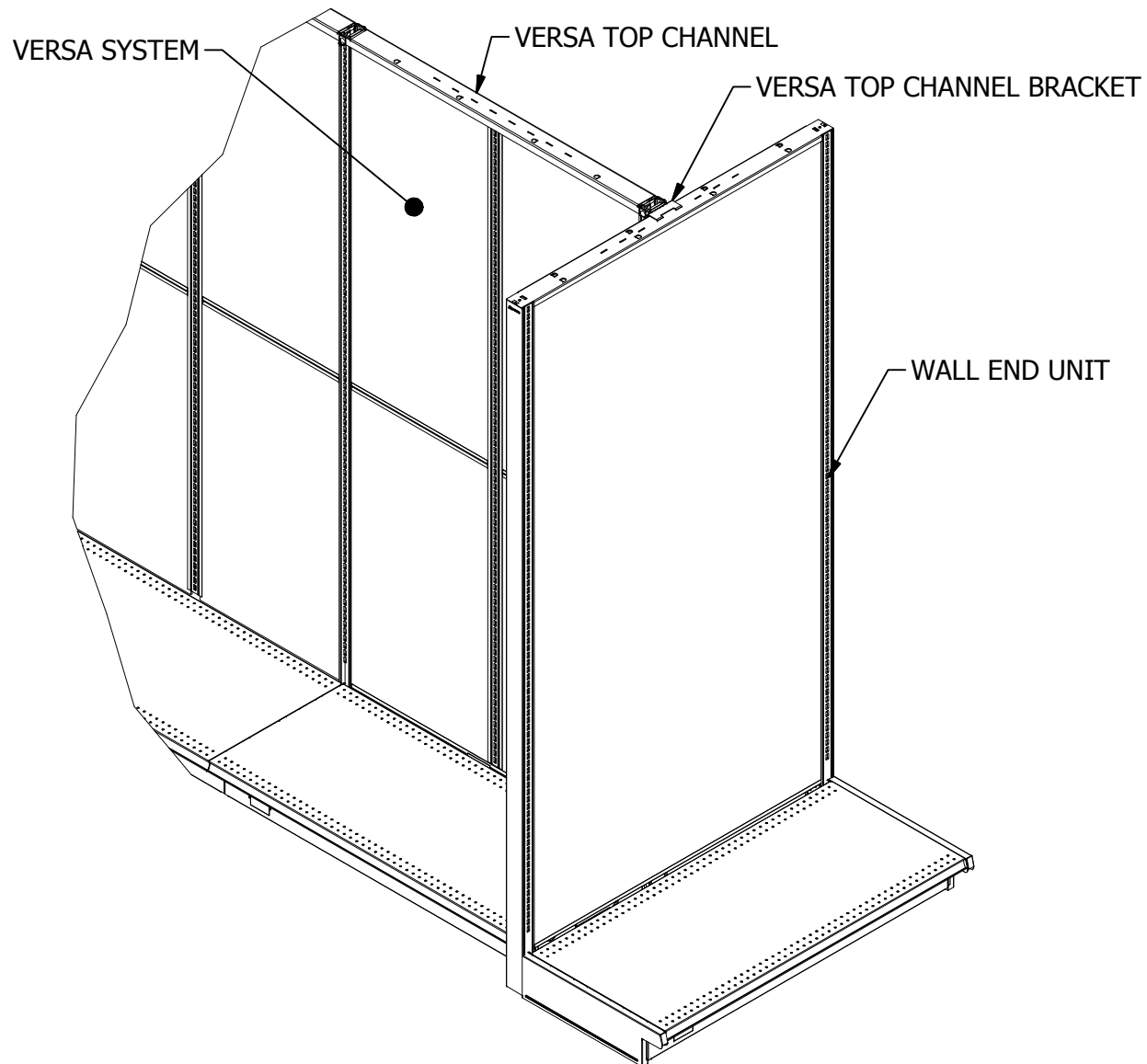


INSTALLATION INSTRUCTIONS

WALL END DISPLAY CONNECTOR, VERSA

STEP 1: Assemble Versa system and wall end unit according to the respective installation instruction.



INSTALLATION INSTRUCTIONS

WALL END DISPLAY CONNECTOR, VERSA

STEP 2: Determine if right hand or left hand bracket is required (SEE DETAILS).

STEP 3: Hook the versa top channel bracket into the wall end unit and attach to the Versa system top channel with the hardware supplied with the channel.

