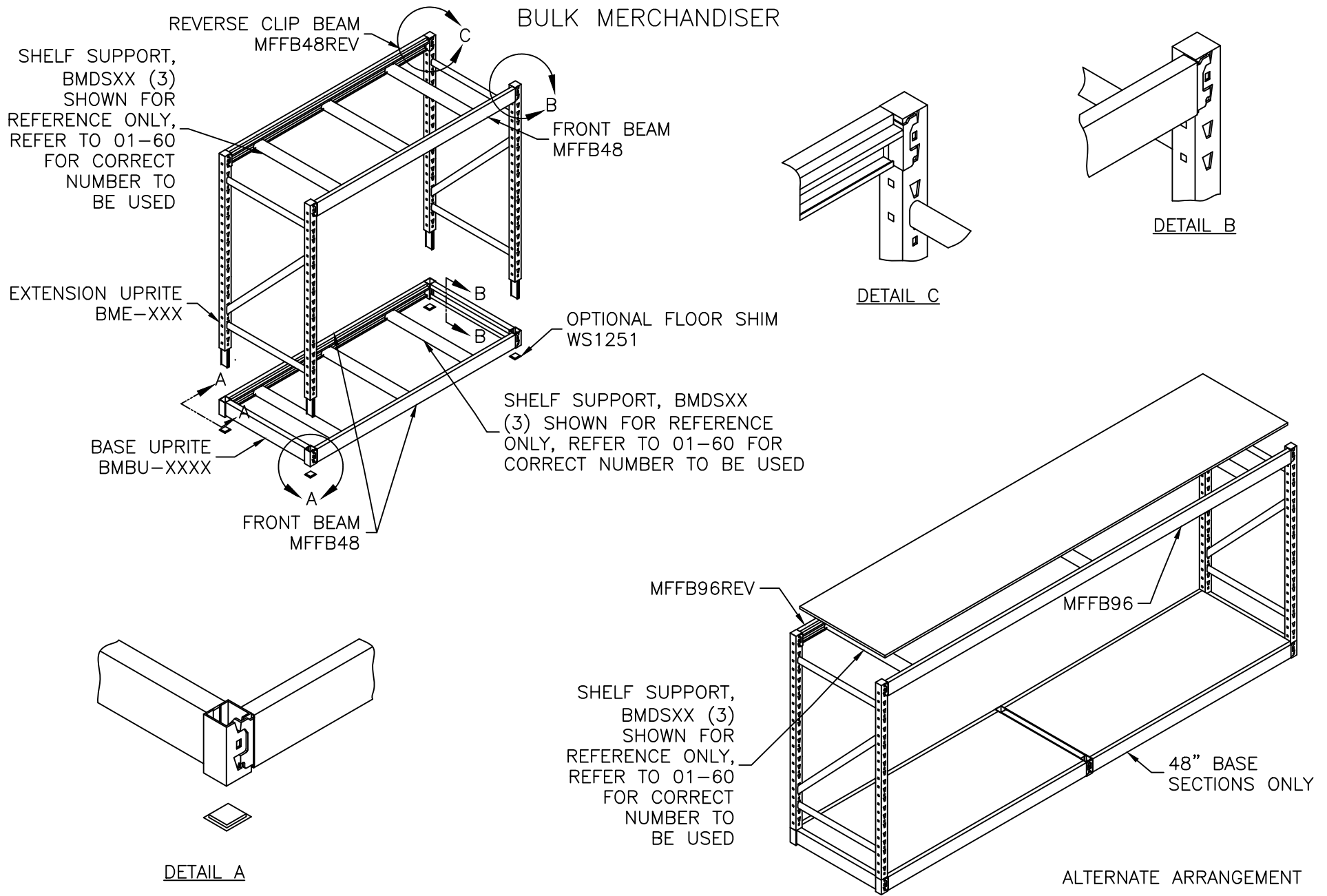


INSTALLATION INSTRUCTIONS



INSTALLATION INSTRUCTIONS

BULK MERCHANDISER

STEP 1: Slide extension uprite connector (that is welded in extension uprite) into base uprite. Turn the bolts in the connectors counter clockwise so to that the connector halves are forced out, securing the uprite (SEE SECTIONS BELOW).

WARNING: EXTENSION UPRITES (WITH CONNECTORS WELDED IN) ARE NEVER TO BE USED AS A STANDING UNIT BY THEMSELVES.

STEP 2: Install a pair of beams on both sides of the base uprite assembly as shown in the illustration on page 1, per the described method provided in I.I. 01-60. Both beams are MFFB_, multi-function front beams with hooks welded in the same direction.

STEP 3: Install a beam on both sides in the extension uprite in the desired location. One of the two beams will have the hooks welded in the opposite direction than the other beams. Use this beam in the uprites with the slots towards the inside.

STEP 4: Rotate the shelf supports into position and locate as described in I.I. 01-60.

STEP 5: Install shelves on top of the shelf supports.

SHELF LOAD RATING (LBS, Uniformly Distributed)	
BEAM LENGTH	LBS
UP TO 48"	1600 lbs.
96"	1600 lbs.

