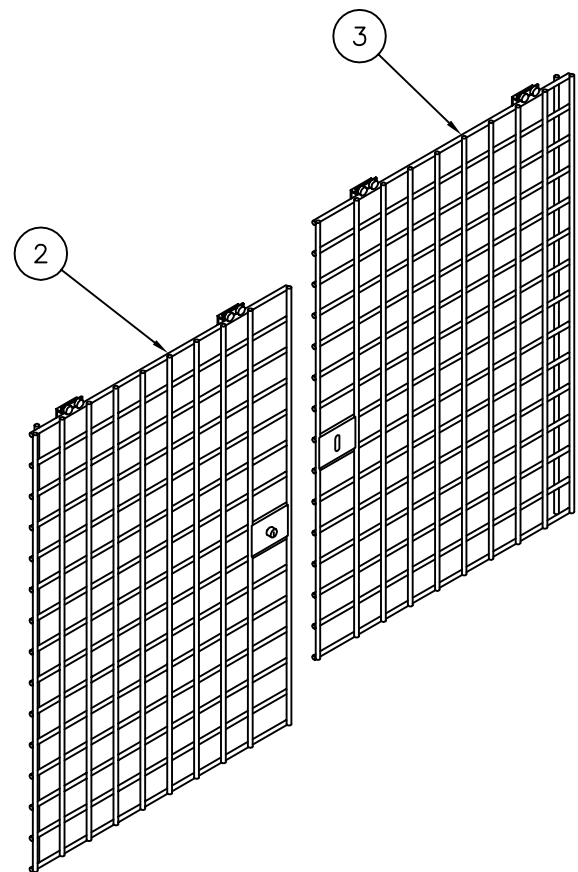
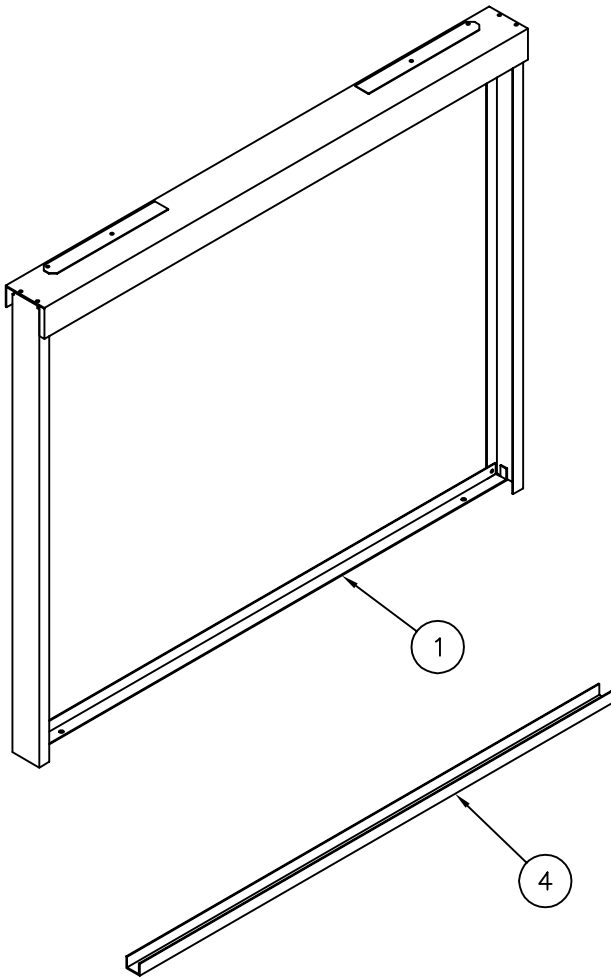


# INSTALLATION INSTRUCTIONS

## WIRE GRID DOORKIT

DWG\_\_\_\_ = WIRE GRID DOORKIT

| ITEM | DESCRIPTION               | QTY |
|------|---------------------------|-----|
| 1    | DOOR FRAME                | 1   |
| 2    | L.H. WIRE GRID DOOR       | 1   |
| 3    | R.H. WIRE GRID DOOR       | 1   |
| 4    | DOOR RETAINER             | 1   |
| 5    | HARDWARE PACK (NOT SHOWN) | 1   |



# INSTALLATION INSTRUCTIONS

## WIRE GRID DOORKIT

**STEP 1** UNLOCK THE DOORS TO ALLOW THE DOORS TO BE MOVED FROM SIDE-TO-SIDE DURING INSTALLATION.

(OPTIONAL) IF DESIRED, REMOVE THE FRONT DOOR TO REDUCE WEIGHT AND MAKE HANDLING THE DOORKIT EASIER. SEE BELOW. IT IS NOT NECESSARY TO REMOVE THE REAR DOOR.

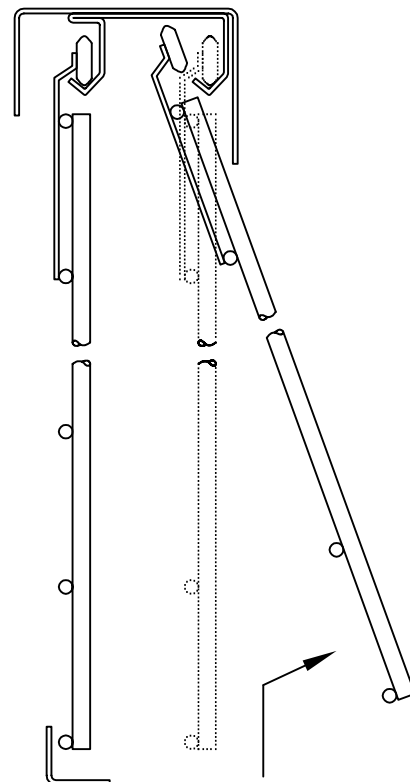
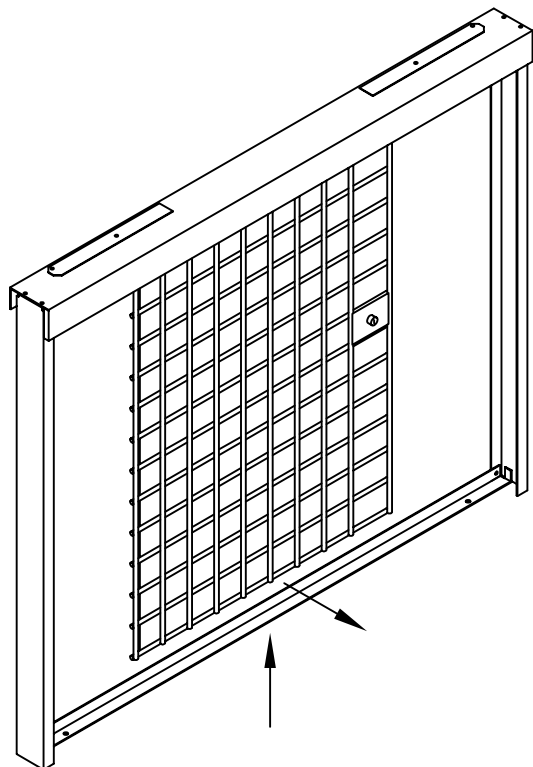


FIGURE 1  
(OPTIONAL)

- A. GRASP HORIZONTAL WIRE NEAR BOTTOM OF FRONT DOOR.
- B. SWING BOTTOM OF DOOR OUTWARDS. DOOR IS NOW FREE AND MAY BE LIFTED SLIGHTLY AND REMOVED FROM FRAME. SEE FIGURE 1.

# INSTALLATION INSTRUCTIONS

## WIRE GRID DOORKIT

### STEP 2

POSITION FRAME ON SHELF OR DECK. THE ENDS OF THE FRAME MUST BE FLUSH WITH THE ENDS OF SHELF OR DECK.

ALIGN THE PRE-DRILLED HOLES IN THE BOTTOM OF THE DOOR FRAME WITH THE SECOND ROW OF HOLES IN THE SHELF OR DECK. ASSEMBLE USING #8-32 x 1/2" MACHINE SCREWS & NUTS PROVIDED (SEE FIGURE 2).

**NOTE:** IF SHELF OR DECK IS NOT PERFORATED, LOCATE FRAME SO SCREW LOCATIONS ARE 1 3/4" IN FROM FRONT EDGE OF SHELF OR DECK. MARK SCREW LOCATIONS & DRILL 1/4" HOLES IN SHELF OR DECK.

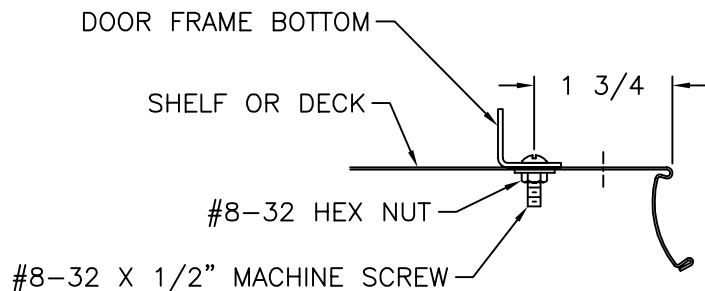


FIGURE 2

### NOTE

ORDER A DOORKIT GAP FILLER (WGDKGF\_) SEPARATELY IF NEEDED.

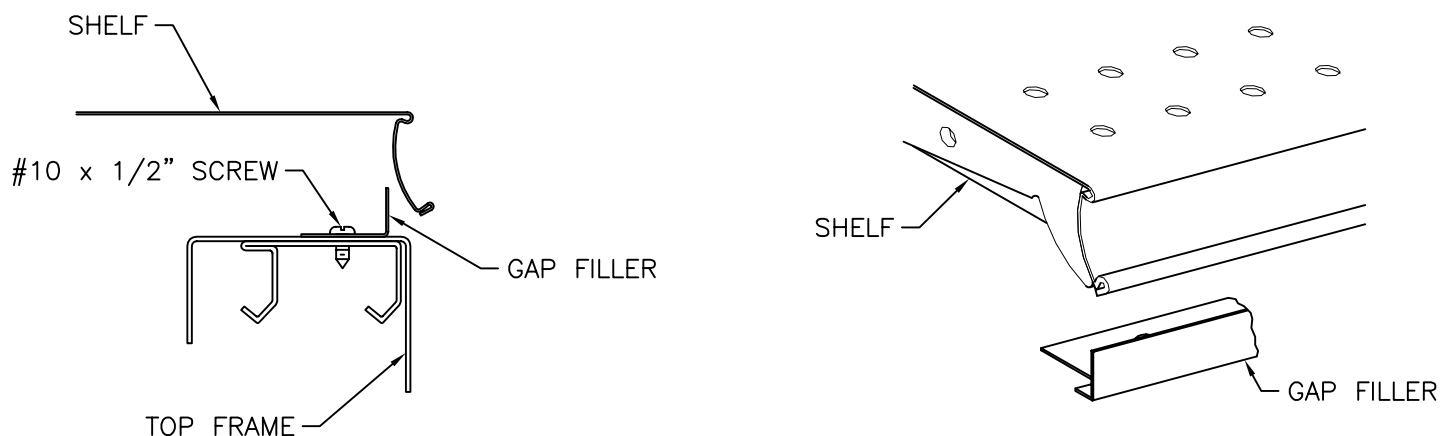


FIGURE 3

# INSTALLATION INSTRUCTIONS

## WIRE GRID DOORKIT

- STEP 3** ADJUST STRAPS ON FRAME AS FOLLOWS:
- A. ROTATE STRAP AWAY FROM FRAME SO IT IS JUST SHORT OF BEING PERPENDICULAR (SEE FIGURE 4).
  - B. TIGHTEN SCREWS, AS REQUIRED, TO HOLD STRAP FIRMLY IN PLACE.



FIGURE 4  
TOP VIEW

# INSTALLATION INSTRUCTIONS

## WIRE GRID DOORKIT

GENERAL NOTE: THE FOLLOWING STEP APPLIES TO INSTALLATIONS WHICH HAVE A STEEL SHELF IMMEDIATELY ABOVE THE DOOR FRAME. STEP 5 PERTAINS TO INSTALLATIONS WHICH HAVE A WOODEN SHELF IMMEDIATELY ABOVE THE DOOR FRAME.

- STEP 4** ATTACH DOOR FRAME STRAPS TO STEEL SHELF IMMEDIATELY ABOVE THE DOOR FRAME AS FOLLOWS:  
A. ADJUST STRAPS SO PREPUNCHED HOLE ALIGNS WITH SHELF CHANNEL.

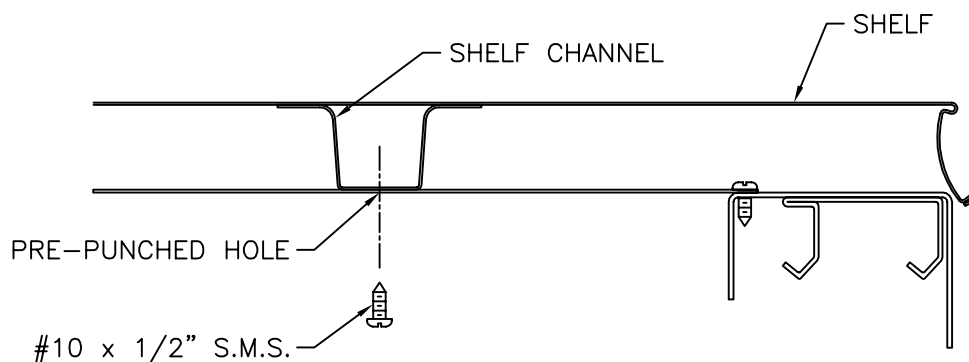


FIGURE 5

- B. USING PREPUNCHED HOLE AS A GUIDE, DRILL A 9/64" HOLE THROUGH SHELF CHANNEL. DO NOT DRILL THROUGH SHELF TOP. ATTACH STRAPS USING SHEET METAL SCREWS PROVIDED.
- C. BEND STRAPS AS SHOWN IN FIGURE 6 TO PROVIDE CLEARANCE FOR APPLICATIONS REQUIRING A LIGHT KIT.

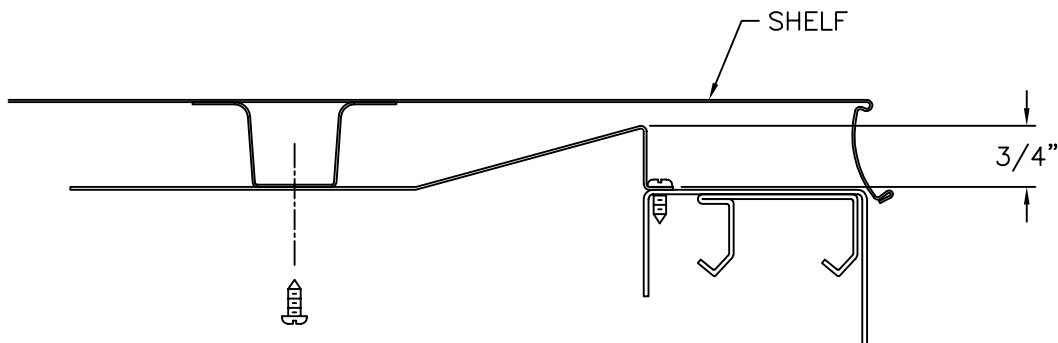


FIGURE 6

# INSTALLATION INSTRUCTIONS

## WIRE GRID DOORKIT

**STEP 5A** WHEN A WOOD SHELF IS USED ABOVE A DOORKIT, ATTACH DOORKIT FRAME TO SHELF AS FOLLOWS:

- A. BEND DOORKIT STRAPS AS SHOWN. SEE FIGURE 7A, WHEN DOORKITS REST ON AN S-SERIES SHELF OR FIGURE 7B FOR NT STYLE SHELF.
- B. ATTACH STRAPS TO THE WOOD SHELF USING SHEET METAL SCREWS PROVIDED.

**STEP 5B** WHEN A COUNTER TOP IS USED ABOVE A DOORKIT, ATTACH DOORKIT FRAME TO SHELF AS FOLLOWS:

- A. BEND DOORKIT STRAPS AS SHOWN. SEE FIGURE 7C, WHEN DOORKITS REST ON AN S-SERIES SHELF OR FIGURE 7D FOR NT STYLE SHELF.
- B. ATTACH STRAPS TO THE WOOD SHELF USING SHEET METAL SCREWS PROVIDED.

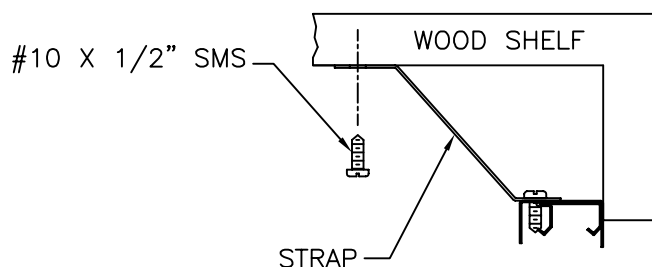


FIGURE 7A  
END VIEW

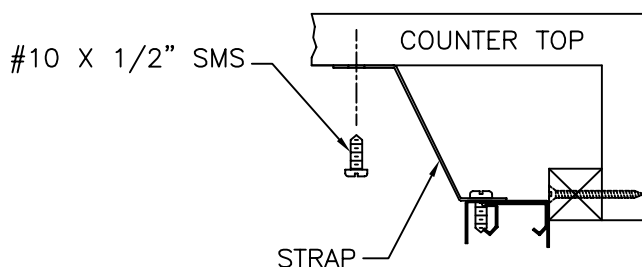


FIGURE 7C  
END VIEW

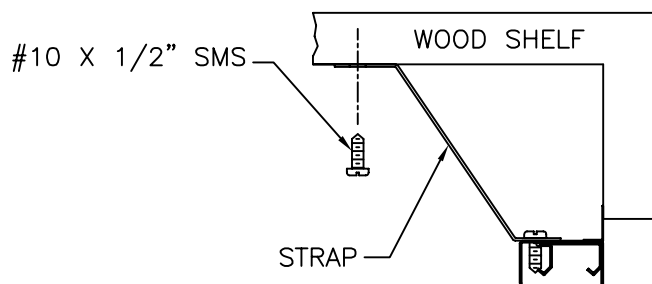


FIGURE 7B  
END VIEW

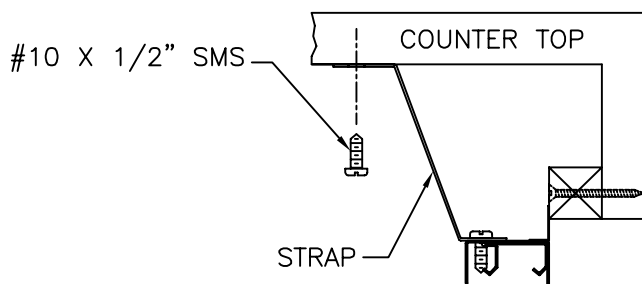


FIGURE 7D  
END VIEW

# INSTALLATION INSTRUCTIONS

## WIRE GRID DOORKIT

### STEP 6

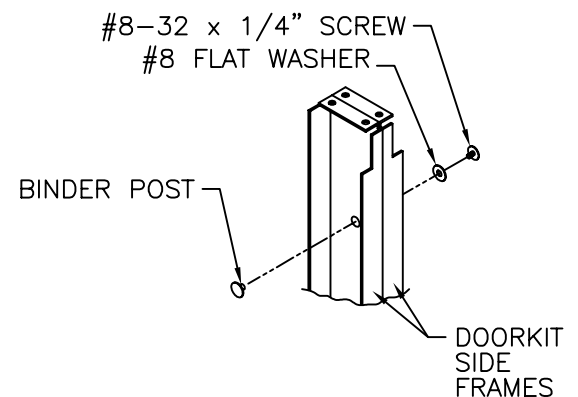
WHEN DOORKITS ARE INSTALLED SIDE BY SIDE OR WITH METAL OR WOOD END PANELS, FASTEN THE ITEMS TOGETHER AS FOLLOWS:

\*\* THESE ATTACHMENT PROCEDURES ARE OPTIONAL \*\*

- DOORKITS TO 30" IN HEIGHT AT ONE LOCATION PER SIDE MIDWAY BETWEEN THE TOP & BOTTOM.
- DOORKITS TALLER THAN 30" IN HEIGHT AT TWO LOCATIONS PER SIDE WITH LOCATIONS EQUALLY SPACED BETWEEN THE TOP & BOTTOM.

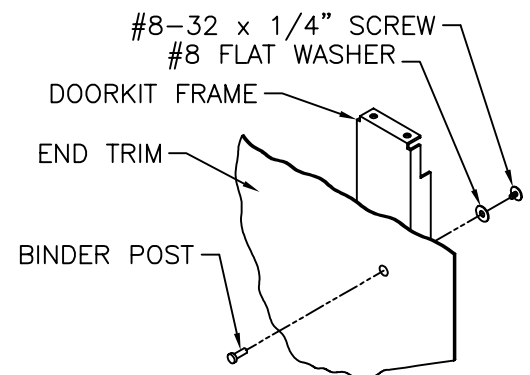
#### A. DOORKITS SIDE BY SIDE

1. DRILL A 1/4" HOLE THROUGH BOTH FRAMES AT THE APPROXIMATE LOCATIONS SHOWN.
2. ASSEMBLE SIDES TOGETHER USING THE #6-32 SCREWS AND BINDER POSTS PROVIDED.



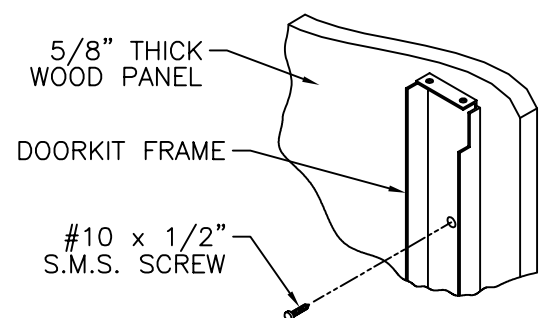
#### B. DOORKITS TO DOORKIT END TRIM

1. DRILL A 1/4" HOLE THROUGH THE FRAME AND END TRIM.
2. ATTACH THE TRIM TO THE FRAME (IN FOUR (4) PLACES FOR TALL APPLICATIONS) USING THE #6-32 SCREWS AND BINDER POSTS PROVIDED.



#### C. DOORKITS TO WOOD END PANELS

1. DRILL A 1/4" HOLE THROUGH THE FRAME ONLY.
2. ATTACH THE FRAME TO THE WOOD PANEL USING THE #10 x 1/2" S.M.S. SCREWS PROVIDED.



# INSTALLATION INSTRUCTIONS

## WIRE GRID DOORKIT

**STEP 7** INSTALL WIRE GRID DOOR AS FOLLOWS (IF NECESSARY):

- A. TILT TOP OF LEFT HAND (EXTERIOR) DOOR BACK & HOOK WHEELS IN FRONT TRACK OF TOP FRAME.
- B. POSITION DOOR RETAINER OVER BOTTOM EDGE OF LEFT HAND DOOR & SWING BACK.
- C. ALIGN HOLES IN DOOR RETAINER WITH FRONT ROW OF HOLES IN DECK OR SHELF & SECURE WITH (2) #8-32 x 1/2" SCREWS AND (2) #8-32 HEX NUTS.

**STEP 8** AFTER ALL ASSEMBLY IS COMPLETE, REMOVE PAPER COVER FROM TAPE ON THE INSIDE OF THE SIDE FRAMES.

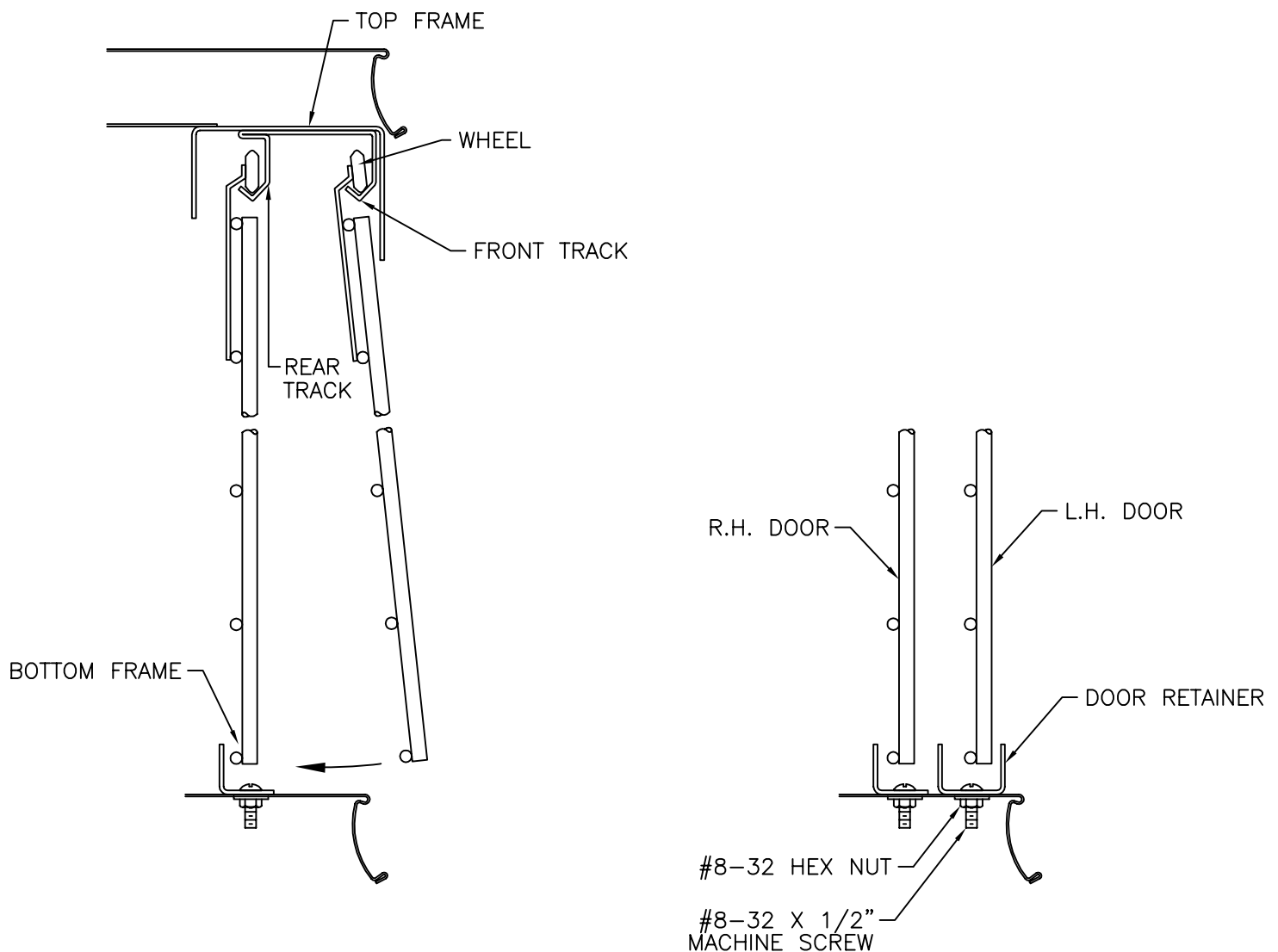


FIGURE 8