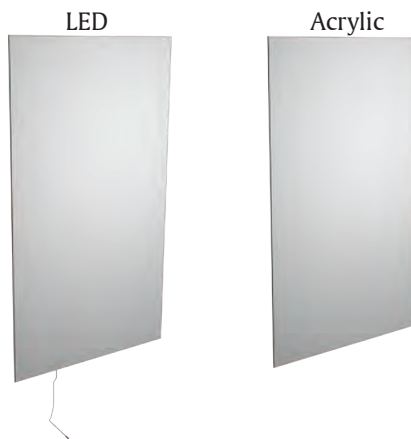


LED Backlit Panel System

- Order Quantity Restrictions Apply

LED and Acrylic Backlit Panel:

- LED-11/32" Thick, Acrylic-1/8" Thick
- Acrylic Back Panel fits in front of LED Back Panel as a light diffuser
- Illuminates one side only
- LED Back Panel includes integrated 12V power supply connector
- Plug into standard 120V outlet
- Installs in island/wall sections with (1) top, (1) bottom, and (2) vertical channel retainers



LED Back Panels							
	42" H	48" H	54" H	60" H	66" H	72" H	78" H
36" W	DD92135	DD92113	DD9215	DD92134	DD9219	DD92110	DD92117
48" W	DD92122	DD9217	DD9216	DD92116	DD9211	DD9212	DD9213

STANDARD FINISH:

N/A

Acrylic Back Panels							
	42" H	48" H	54" H	60" H	66" H	72" H	78" H
36" W	DBA17323	DBA17319	DBA1735	DBA17321	DBA1739	DBA17322	DBA17313
48" W	DBA17317	DBA1738	DBA1734	DBA17310	DBA1737	DBA17311	DBA1733

STANDARD FINISH:

XB7

Horizontal Top and Bottom Channel Retainer:

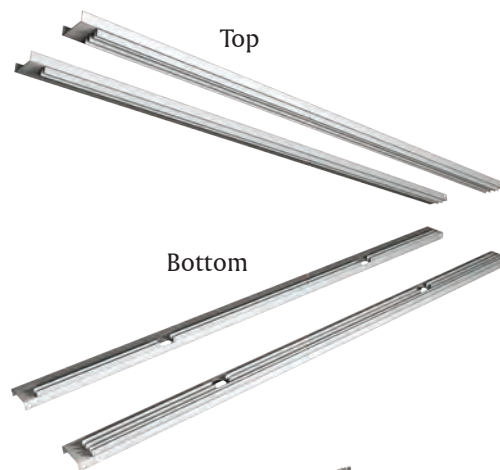
- Double channel to accept Acrylic Panel (flush to front) and LED Back Panel (centered)
- Allows for standard Hardboard Back Panel, BE_ opposite side
- Bottom Channel Retainer has two holes for power cord pass-thru

Acrylic/LED Horizontal Channel Retainer		
	36" W	48" W
Top	CDB2182	CDB2181
Bottom	CDB2192	CDB2191

STANDARD FINISH:

PLT

- Optional Catalog Colors



Vertical Channel Retainer:

- Double channel to accept Acrylic Back Panel and LED Back Panel
- Allows for standard Hardboard Back Panel, BE_ opposite side
- Order 6" shorter than uprite. Ex: for U78, order CDB2213 (72H)

STANDARD FINISH:

PLT

- Optional Catalog Colors

Acrylic/LED Vertical Channel Retainer						
42" H	48" H	54" H	60" H	66" H	72" H	78" H
CDB2219	CDB2215	CDB2211	CDB2216	CDB2214	CDB2213	CDB2212



LED Backlit Panel System

- Order Quantity Restrictions Apply

LED Snap Frame Back Panel:

- LED panel fitted with snap frame to accept graphics
- Can be used in two sided or one sided applications
- Order two panels for two sided application
- Panel includes integrated 24V power supply connection
- Plugs into standard 120V outlet
- Order back panel 6" shorter than uprite

WIDTH	HEIGHT	PART NO.
48"	60"	DAA3381

STANDARD FINISH:

N/A

Horizontal Retainer for Snap Frame:

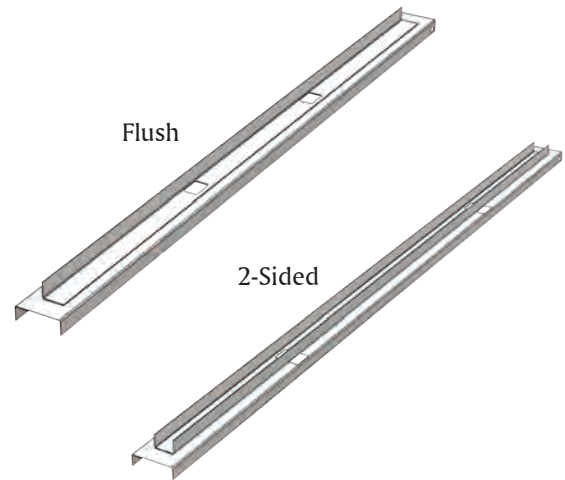
- 2 Horizontal Retainers per section
- The retainer has a hole to allow the electrical cord on the panel to pass through
- Flush design allows use of standard BE_ back on opposite side

STYLE	WIDTH	PART NO.
Flush	48"	DAA3371
2-Sided	48"	DAA3401

STANDARD FINISH:

PLT

- Optional Catalog Colors



Vertical Retainer for Snap Frame:

- 2 Vertical Retainers per section at same height as LED panel.
- Order 6" shorter than uprite. Ex: for U66, order DAA3361 (60H)

STYLE	HEIGHT	PART NO.
Flush	60"	DAA3361
2-Sided	60"	DAA3391

STANDARD FINISH:

PLT

- Optional Catalog Colors

